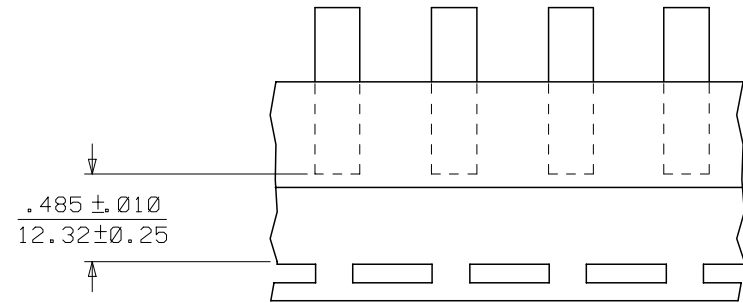
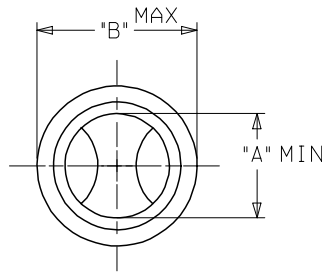
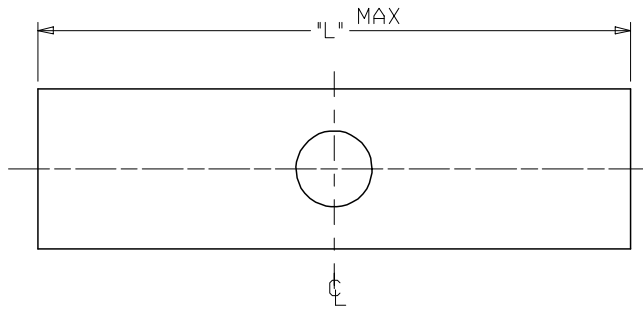


MATERIAL NUMBER	ENGINEERING NUMBER	AWG	"L" MAX	"A" MIN	"B" MAX	MATERIAL	PACKAGING	TEMPERATURE RATING
192030166	A-T-345	22-18	.675/(17.1)	.059/(1.50)	.130/(3.30)	COPPER	LOOSE PIECE	650°F (343°C)
192030171	B-T-331	16-14	.675/(17.1)	.091/(2.31)	.160/(4.06)	COPPER		650°F (343°C)
192030183	C-T-346	12-10	.827/(21.0)	.139/(3.53)	.223/(5.66)	COPPER		650°F (343°C)
192030104	C-T-346T	12-10	.827/(14.7)	.139/(3.53)	.223/(5.66)	COPPER	TAPE MOUNTED	650°F (343°C)

Ⓒ (ENTIRE CHART)



PARTS ON TAPE

SALES DRAWING

NOTES:

1. FINISH: NICKEL PLATED
2. ALL DIMENSIONS IN INCHES/(MM).
3. PART IS ROHS COMPLIANT.

DEL STEEL MN FROM CHART EC NO: ETC2007-0397 DRW: DRWNEHLE 2007/04/27 CHKD: JMAGNEIL 2007/05/09 APPR: JMAGNEIL 2007/05/10	QUALITY SYMBOLS	GENERAL TOLERANCES (UNLESS SPECIFIED)	DIMENSION STYLE IN/MM	SCALE ---	DESIGN UNITS INCH	THIRD ANGLE PROJECTION																														
	$\nabla=0$ $\nabla=0$	<table border="1"> <thead> <tr> <th></th> <th>mm</th> <th>INCH</th> </tr> </thead> <tbody> <tr> <td>4 PLACES</td> <td>± ---</td> <td>± ---</td> </tr> <tr> <td>3 PLACES</td> <td>± ---</td> <td>± ---</td> </tr> <tr> <td>2 PLACES</td> <td>± ---</td> <td>± ---</td> </tr> <tr> <td>1 PLACE</td> <td>± ---</td> <td>± ---</td> </tr> <tr> <td colspan="3">ANGULAR ± ---°</td> </tr> </tbody> </table>		mm	INCH	4 PLACES	± ---	± ---	3 PLACES	± ---	± ---	2 PLACES	± ---	± ---	1 PLACE	± ---	± ---	ANGULAR ± ---°			<table border="1"> <thead> <tr> <th>DRAWN BY</th> <th>DATE</th> </tr> </thead> <tbody> <tr> <td>BRE</td> <td>2001/09/28</td> </tr> <tr> <th>CHECKED BY</th> <th>DATE</th> </tr> <tr> <td>HEB</td> <td>2001/09/28</td> </tr> <tr> <th>APPROVED BY</th> <th>DATE</th> </tr> <tr> <td>RWD</td> <td>2001/09/28</td> </tr> </tbody> </table>	DRAWN BY	DATE	BRE	2001/09/28	CHECKED BY	DATE	HEB	2001/09/28	APPROVED BY	DATE	RWD	2001/09/28	TITLE		
		mm	INCH																																	
	4 PLACES	± ---	± ---																																	
3 PLACES	± ---	± ---																																		
2 PLACES	± ---	± ---																																		
1 PLACE	± ---	± ---																																		
ANGULAR ± ---°																																				
DRAWN BY	DATE																																			
BRE	2001/09/28																																			
CHECKED BY	DATE																																			
HEB	2001/09/28																																			
APPROVED BY	DATE																																			
RWD	2001/09/28																																			
DRAFT WHERE APPLICABLE MUST REMAIN WITHIN DIMENSIONS	SEE CHART	BUTT CONNECTORS, TEMP-TERMS, 650 DEG F	MOLEX INCORPORATED	MATERIAL NO. SD-19203-012	SHEET NO. 1 OF 1																															
	THIS DRAWING CONTAINS INFORMATION THAT IS PROPRIETARY TO MOLEX INCORPORATED AND SHOULD NOT BE USED WITHOUT WRITTEN PERMISSION																																			