

THIS DRAWING IS UNPUBLISHED.

RELEASED FOR PUBLICATION

20

© COPYRIGHT 20 BY -

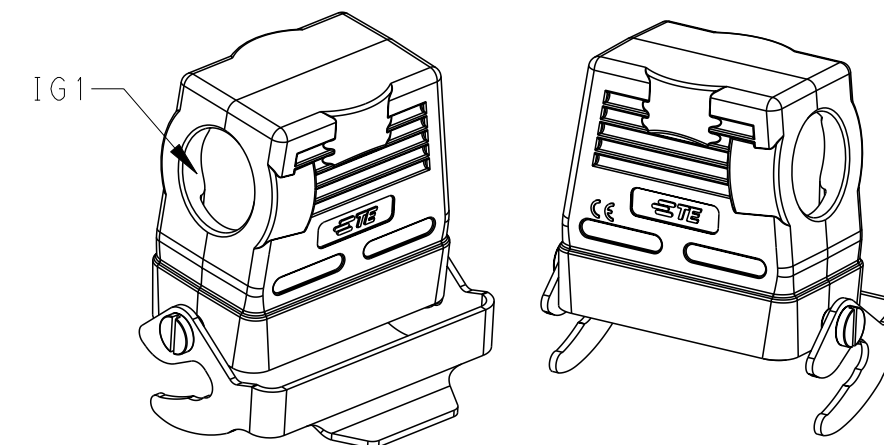
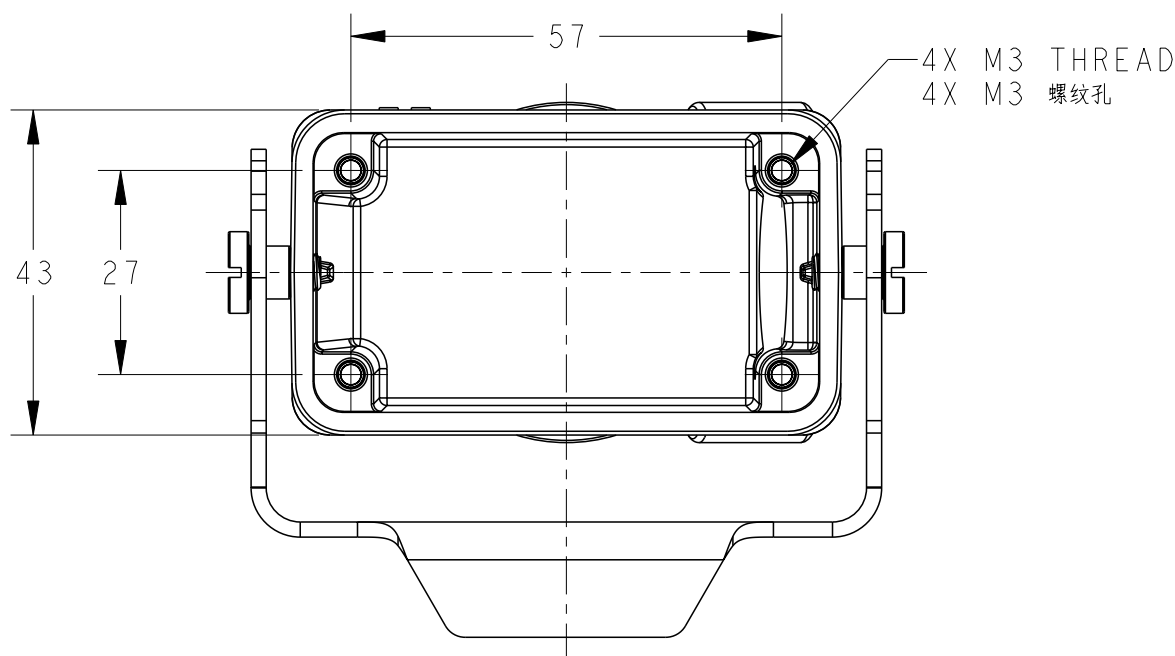
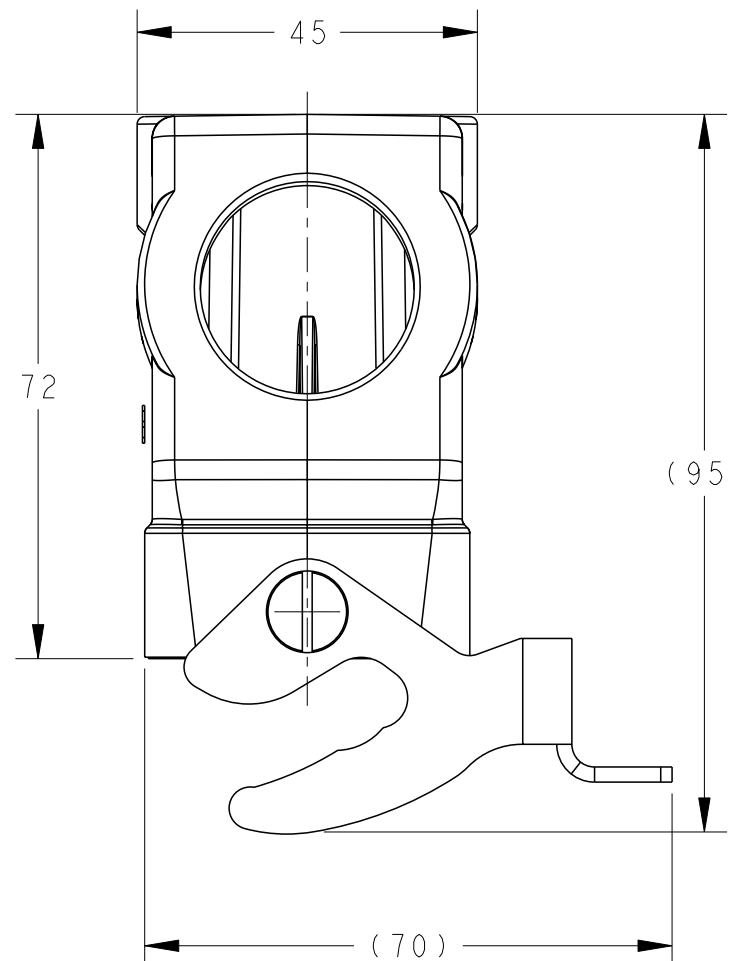
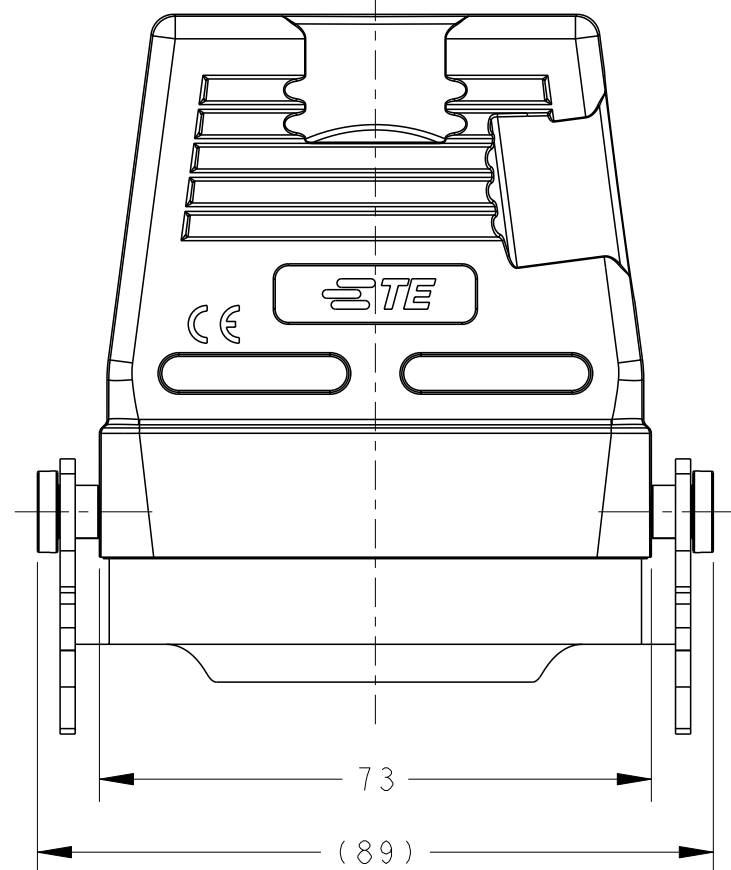
ALL RIGHTS RESERVED.

REVISIONS

P	LTR	DESCRIPTION	DATE	DWN	APVD
	A	INITIAL	10JUN2015	DW	CW
	B	ECR-20-008181	01JUL2020	WQR	CW
	B1	ECR-21-103925	07JUN2021	WQR	CW


NOTES:
 1. TECHNICAL CHARACTERISTICS:
 HOOD MATERIAL: DIE CAST ALUMINIUM ALLOY
 SURFACE: POWDER COATED, GREY
 DEGREE OF PROTECTION: IP65 (MATED)

注释:
 1. 技术参数:
 上壳材料: 铝合金
 表面处理: 粉末涂层, 灰色
 防护等级: IP65(配合)



SCALE 1:2

T1370102129-000	H10B-TSBH-LB-PG29	PG29
T1370102121-000	H10B-TSBH-LB-PG21	PG21
PART NUMBER	DESCRIPTION	IG1

THIS DRAWING IS A CONTROLLED DOCUMENT.		DWN 05JUN2015 David Wang	 TE Connectivity	
DIMENSIONS: mm		CHK 05JUN2015 Chris Wang		
TOLERANCES UNLESS OTHERWISE SPECIFIED:		APVD 05JUN2015 Xiang Xu		
0 PLC ±- 1 PLC ±- 2 PLC ±- 3 PLC ±- 4 PLC ±- ANGLES ±-		PRODUCT SPEC 108-137013		
MATERIAL		FINISH	NAME H10B-TSBH-LB-PG	
-		-	APPLICATION SPEC 114-137013	
-		-	WEIGHT -	
		Customer Drawing	SIZE A3	CAGE CODE 00779
			DRAWING NO. C-T13701021XX000	
			RESTRICTED TO -	
			SCALE 1:1	SHEET 1 OF 1
			REV B1	

printed on 17 Jun 2021 10:50 (China Standard Time) from TE343646