



IMPACT[®]

Features and Benefits

- Standard Color – light gray with a high gloss finish
- Best material – bases, opaque covers and clear covers are all made of high-impact, UV resistant polycarbonate
- Easy ordering – One part number equals one completely assembled enclosure
- Super easy use – mounting flanges integral, so no extra hardware needed
- Flexible Interior Mounting – bosses on rear wall and lid of opaque enclosure provide multiple mounting options for din rail, back panels, or other components
- Advanced face plate mounting system – Brand new completely unique and easy
- Secure – Choose your level of protection: pad lockable, tamper screw or tamper tag capable
- Frequency Friendly – Available with absolutely no metals of any kind on the enclosure which is extremely favorable for sending and receiving wireless signals
- UL-50 / c-UL Listed (file # E207562)

Our Impact[®] Line enclosures are the most versatile, feature packed, aesthetically pleasing, NEMA UL rated, non-metallic enclosures available. Features like extremely durable, UV resistant, wide temperature range, easy to machine, lighter than other non-metallic or metal materials, the “Made in USA” Impact[®] Line enclosures provide great value to any application.



Mechanical and Thermal	Test Spec.	Unit	Impact [®] Line
Instrumented Dart Impact @ 73° F		in/lb.	565
Falling Ball Impact @ 73° F	UL-746	in/lb.	900
Deflection Temperature @ 264 psi	ASTM D648	Deg. F	270
Modulus of Elasticity	ASTM D790	ksi	340
Temperature Range		Deg. F	-40 to 265



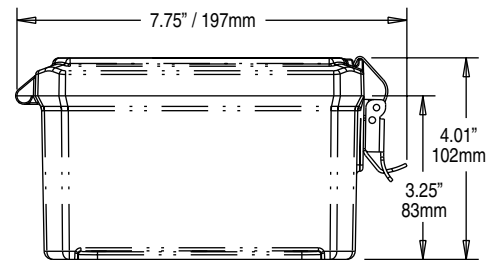
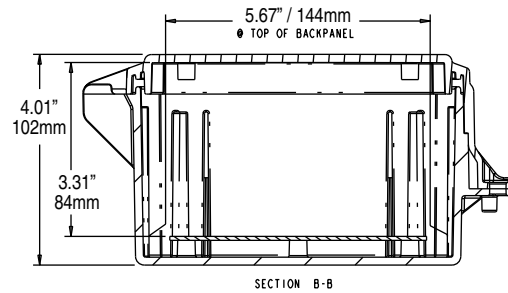
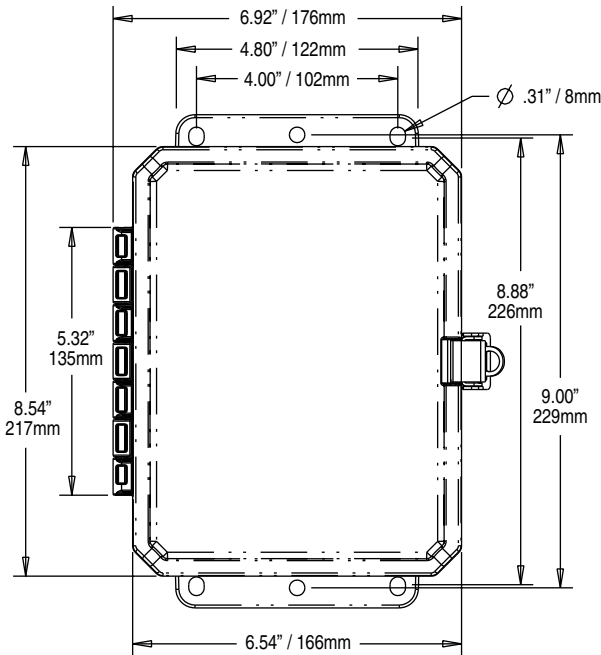
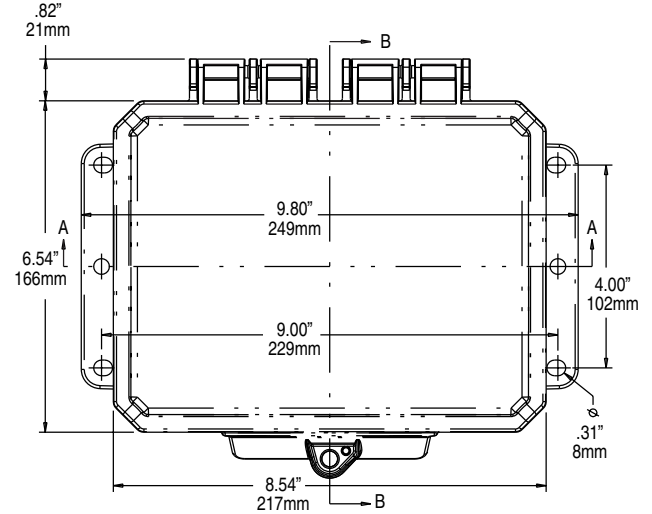
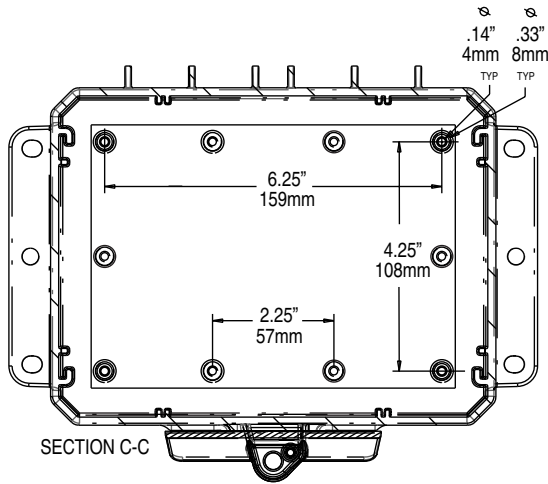
Flammable / UV Ratings	Test Spec.	Unit	Impact [®] Line
Flame Rating - UL	UL 94	-	5VA
Outdoor UV Exposure	UL	-	f1

8063 P/N	4X IP66	6P IP68	Clear Cover	Opaque Cover	Integrated Mounting Flange	Standard Hinge	Low Profile Hinge	Integrated Locking Latch	Stainless Steel Locking Latch	Non-Metallic Locking Latch	Face Plate Mtg System*
P8063	✓	✓		✓	✓	✓		✓			✓
P8063C	✓	✓	✓		✓	✓		✓			✓
P8063LL	✓			✓	✓	✓			✓		✓
P8063CLL	✓		✓		✓	✓			✓		✓
P8063LP	✓	✓		✓	✓		✓	✓			✓
P8063LPC	✓	✓	✓		✓		✓	✓			✓
P8063LPLL	✓			✓	✓		✓		✓		✓
P8063LPCLL	✓		✓		✓		✓		✓		✓
P8063NL	✓			✓	✓	✓				✓	✓
P8063CNL	✓		✓		✓	✓				✓	✓
P8063LPNL	✓			✓	✓		✓			✓	✓
P8063LPCNL	✓		✓		✓		✓			✓	✓

* Sold separately

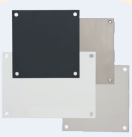


8X6X3 IMPACT® LINE



Register online to download this drawing off the Integra website at www.integraenclosures.com | Your company's logo or other information on the lid. Consult factory for details.

Accessories for 8x6x3 Impact® (For complete accessories, see pages 78-81)



Back Panels

ABP86-IMP - Aluminum panel
SBP86-IMP - Steel panel
PVCBP86-IMP - PVC panel



Aluminum Swing Out System

ASWP86-IMP Aluminum swing panel and SOPK-IMP mounting kit
ASWP86-IMP - Aluminum swing panel only
SOPK66/86-IMP - 2 rigid brackets, 1 pivot bracket & 8 self-tapping screws



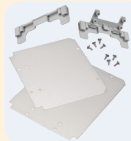
Aluminum Face Plate System

FPK86-IMP - Aluminum face plate and SOPK-IMP mounting kit
AFP86-IMP - Aluminum face panel only
SOPK66/86-IMP - 2 rigid brackets, 1 pivot bracket & 8 self-tapping screws



Air Vents

VENT 3 - Aluminum louvered
VENT 2 - Outdoor labyrinth



Steel Swing Out System

SSWP86-IMP Steel swing panel and SOPK-IMP mounting kit
SSWP86-IMP - Steel swing panel only
SOPK66/86-IMP - 2 rigid brackets, 1 pivot bracket & 8 self-tapping screws



Steel Face Plate System

SFPK86-IMP - Steel face plate and SOPK-IMP mounting kit
SFP86-IMP - Steel face panel only
SOPK66/86-IMP - 2 rigid brackets, 1 pivot bracket & 8 self-tapping screws



Din Rail

DIN 6-IMP - 2 rails, 4 screws



Pole Mounting Kit

PMKG-26-IMP - 2" pole
PMKG-36-IMP - 3" pole
PMKG-46-IMP - 4" pole
PMKG-126-IMP - 12" pole



Cord Grips

IP68/NEMA 4X/6P rated
 See page 72 for more details.