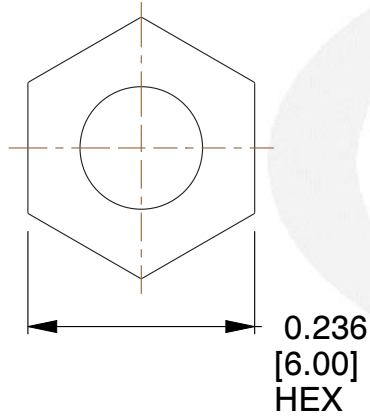
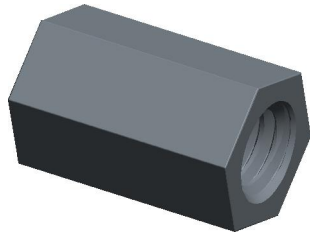
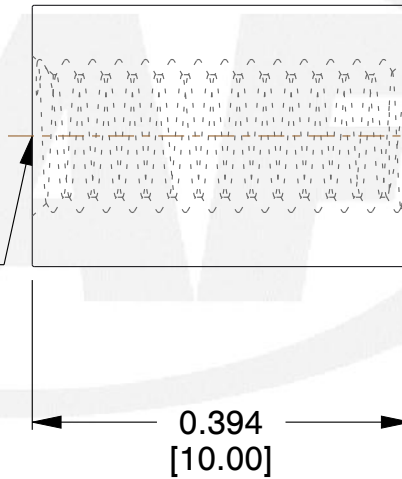


REV	CHANGE	DATE	DRN	CHK
	Drawn	12/28/16	SJ	T



THREAD  
M4X0.7  
THRU



**NOTES:**

1. Material : Nylon
2. Finish :
3. ASME Y14.5M - 2009
4. All Drawing Dimensions are in Inches [mm]
5. Unless otherwise specified; Edge Breaks, Radii or Countersinks 0.005-0.015



95 Silvermine Rd., Seymour CT 06483  
Tel: 203-888-2133, Fax: 203-888-9860

This Drawing is the Property of RAF.  
It contains confidential, proprietary information that is RAF property. Do not disclose to or duplicate for others except as authorized by RAF.

**TOLERANCES**  
ALL DIMENSIONS ARE INCHES  
(UNLESS OTHERWISE SPECIFIED)  
**METALLIC**  
LENGTHS <math>\leq 6</math> INCHES  $\pm 0.005</math>  
LENGTH > 6 INCHES  $\pm 0.010</math>  
DIAMETERS:  $\pm 0.005</math>  
**NON-METALLIC**  
LENGTH:  $\pm 0.010</math> DIAMETERS:  $\pm 0.010</math>  
**INTERNAL THREADS:**  
MINIMUM THREAD DEPTH$$$$$

COMPONENT	STANDOFFS
M1307-4007-N  6 MM HEX FEMALE STANDOFFS	<b>SCALE</b>
	5.00
	<b>SHEET</b>
	1 of 1