

THIS DRAWING IS UNPUBLISHED.

RELEASED FOR PUBLICATION

20

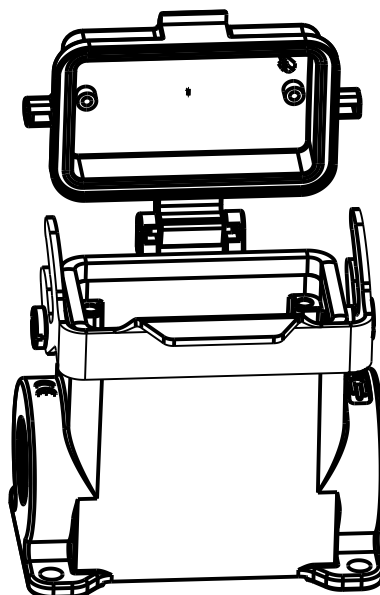
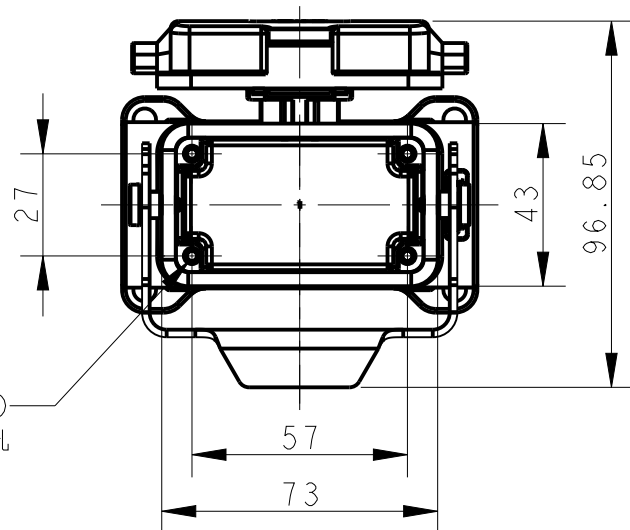
© COPYRIGHT 20 BY -

ALL RIGHTS RESERVED.

REVISIONS

P	LTR	DESCRIPTION	DATE	DWN	APVD
	A	INITIAL RELEASE	25JUN2015	DL	CW
	B	ECR-20-008181	20JUL2020	WQR	CW

4X M3 THREAD  
4X M3 螺纹孔

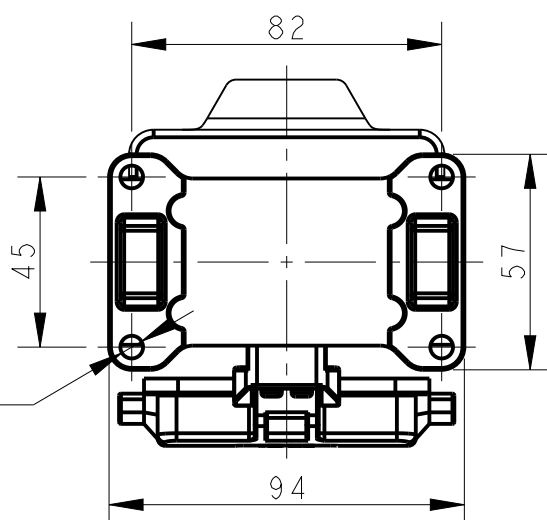
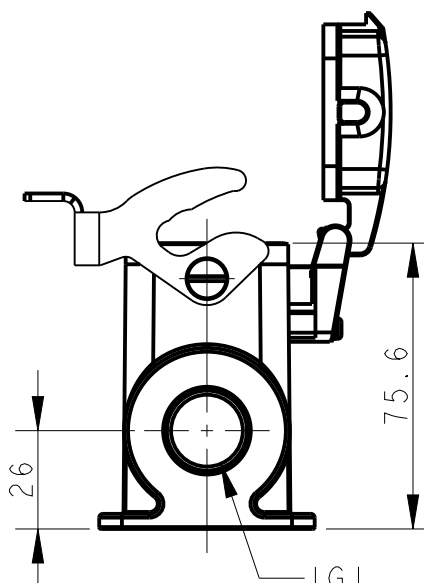
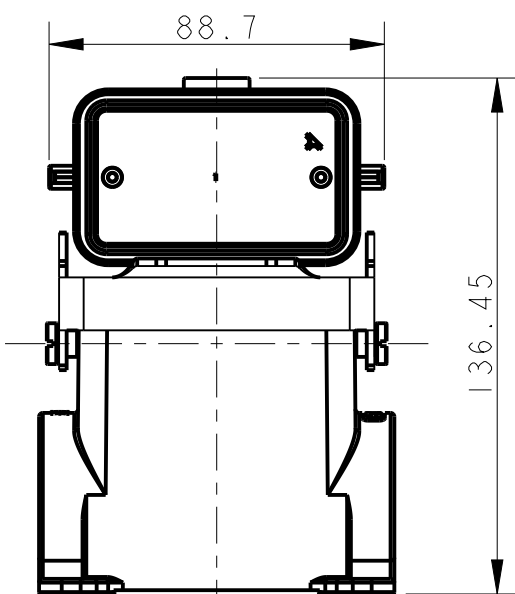
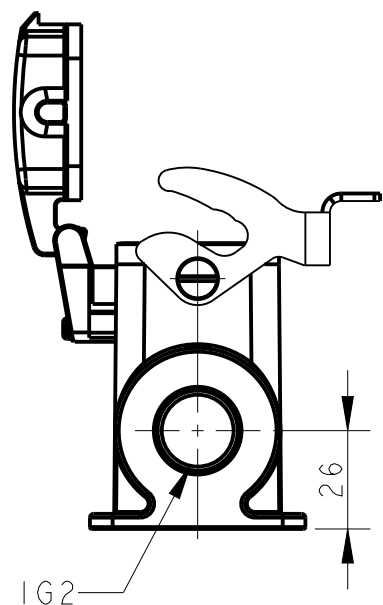


NOTES:

- 1. TECHNICAL CHARACTERISTICS:  
BODY MATERIAL: DIE CAST ALUMINIUM ALLOY  
SURFACE TREATMENT: POWDER-COATED, GRAY  
DEGREE OF PROTECTION: IP65 (MATED)

注释:

- 1. 技术参数:  
主体材料: 铝合金  
表面处理: 粉末喷涂, 灰色  
防护等级: IP65(配合)



T1660103121-000	TYPE 1	H10B-SDRH-LB-PG21	PG21	-
T1660103125-000		H10B-SDRH-LB-M25	M25	-
T1660103129-000		H10B-SDRH-LB-PG29	PG29	-
T1660103132-000		H10B-SDRH-LB-M32	M32	-
T1660103221-000		H10B-SDRH-LB-2PG21	PG21	PG21
T1660103225-000		H10B-SDRH-LB-2M25	M25	M25
T1660103229-000		H10B-SDRH-LB-2PG29	PG29	PG29
T1660103232-000		H10B-SDRH-LB-2M32	M32	M32
ASSEMBLY PART NUMBER	TYPE	ASSEMBLY PART DESCRIPTION	IG1	IG2

TYPE 1: HIGH BODY + STEEL LOCKING + PLASTIC PROTECTION COVER

THIS DRAWING IS A CONTROLLED DOCUMENT.		DWN	25JUN2015	<b>TE</b> TE Connectivity	NAME H10B-SDRH-LB-PG/M
DIMENSIONS: mm		CHK	25JUN2015		
TOLERANCES UNLESS OTHERWISE SPECIFIED:		APVD	25JUN2015		
0 PLC ±-		PRODUCT SPEC	108-137013		
1 PLC ±-		APPLICATION SPEC	114-137013	SIZE	A3
2 PLC ±-		MATERIAL	TBD	CAGE CODE	-
3 PLC ±-		FINISH	-	DRAWING NO	©-T166010XXXX000
4 PLC ±-				RESTRICTED TO	
ANGLES ±-				SCALE	1:2
MATERIAL				SHEET	1 OF 2
FINISH				REV	B
-				CUSTOMER DRAWING	

THIS DRAWING IS UNPUBLISHED.

RELEASED FOR PUBLICATION

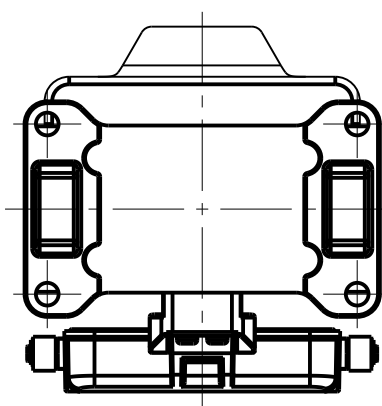
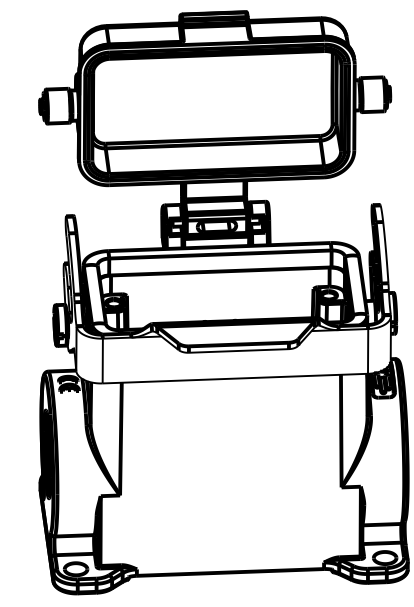
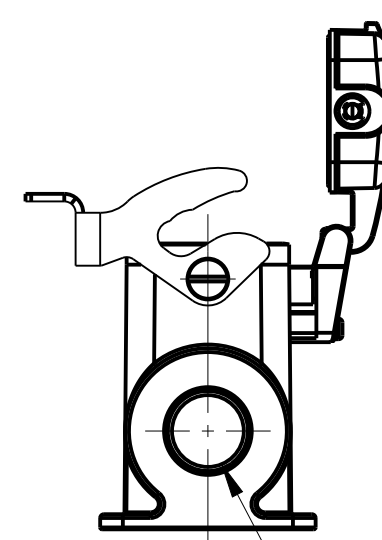
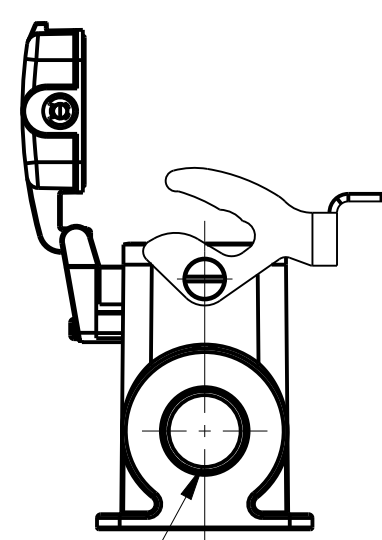
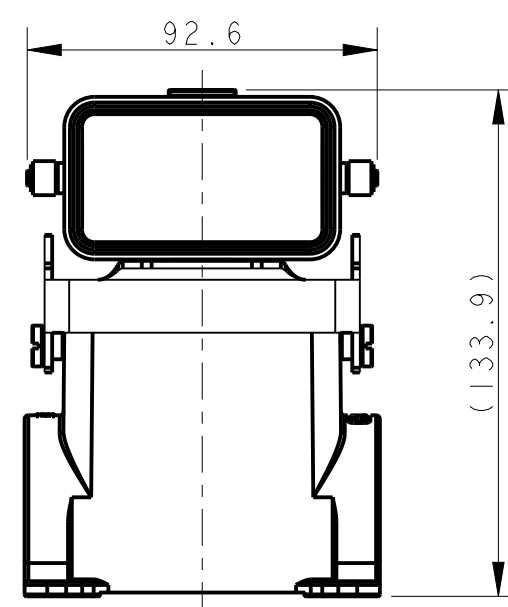
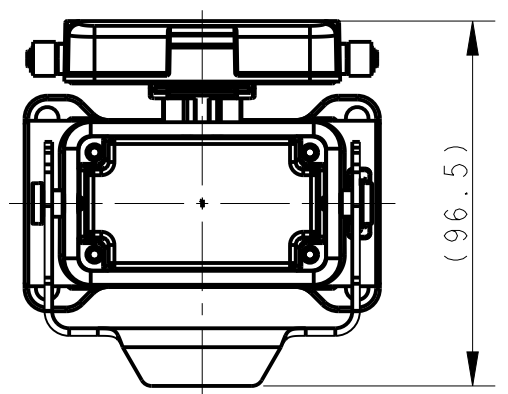
20

© COPYRIGHT 20 BY -

ALL RIGHTS RESERVED.

REVISIONS

P	LTR	DESCRIPTION	DATE	DWN	APVD
-		SEE SHEET 1	-	-	-



T1660103321-000	TYPE 2	H10B-SDRHM-LB-PG21	PG21	-
T1660103329-000		H10B-SDRHM-LB-PG29	PG29	-
T1660103332-000		H10B-SDRHM-LB-M32	M32	-
T1660103421-000		H10B-SDRHM-LB-2PG21	PG21	PG21
T1660103429-000		H10B-SDRHM-LB-2PG29	PG29	PG29
T1660103432-000		H10B-SDRHM-LB-2M32	M32	M32
ASSEMBLY PART NUMBER	TYPE	ASSEMBLY PART DESCRIPTION	IG1	IG2

TYPE 2: HIGH BODY + STEEL LOCKING + METAL PROTECTION COVER  
 OTHER SPEC REFER TO TYPE 1

THIS DRAWING IS A CONTROLLED DOCUMENT.		DWN DAVID LI 25JUN2015		
DIMENSIONS: mm		CHK CHRIS WANG 25JUN2015		
TOLERANCES UNLESS OTHERWISE SPECIFIED:		APVD XU XIANG 25JUN2015	NAME H10B-SDRHM-LB-PG/M	
0 PLC ±-		PRODUCT SPEC 108-137013	SIZE A3	
1 PLC ±-		APPLICATION SPEC 114-137013	CAGE CODE -	
2 PLC ±-		WEIGHT -	DRAWING NO C-T166010XXXX000	
3 PLC ±-		CUSTOMER DRAWING	RESTRICTED TO	
4 PLC ±-			SCALE 1:2 SHEET 2 OF 2 REV B	
ANGLES ±-				
FINISH -				
MATERIAL TBD				