



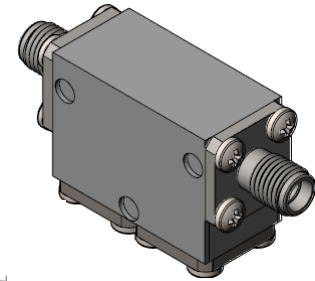
Part Number: D4I1826K

Electrical Specifications

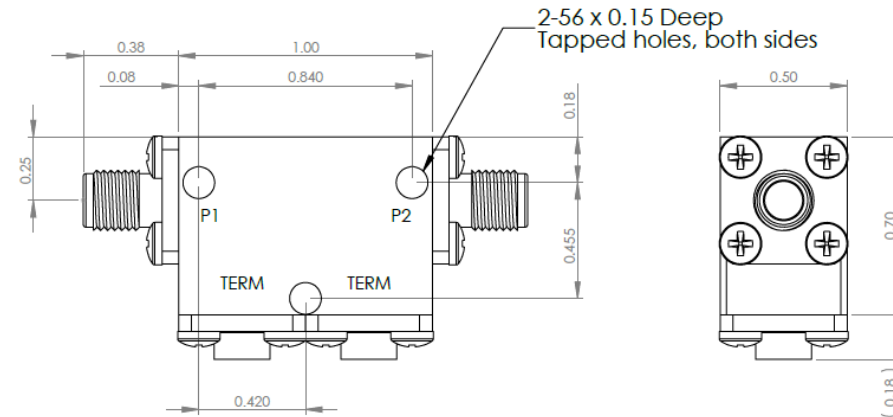
| | |
|------------------------|-----------------|
| Frequency Range (GHz): | 18.0 – 26.5 |
| Isolation (dB): | 36 MIN |
| Insertion Loss (dB): | 1.6 MAX |
| VSWR: | 1.4:1 MIN |
| Forward Power (W): | 10 AVG 30 PK |
| Reflective Power (W): | 2 AVG |

Mechanical/Environmental Specifications

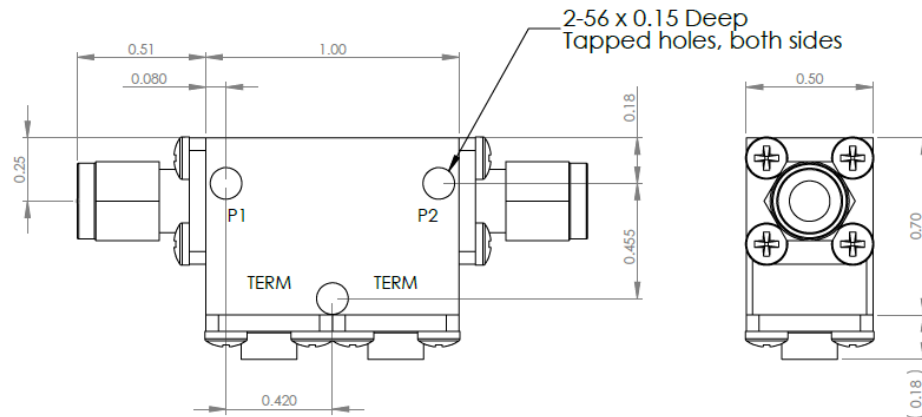
| | |
|-------------------|----------------------------|
| Connector Type: | K (2.92mm) |
| Connector Body: | Passivated stainless steel |
| Connector Pin: | Gold plated copper |
| Load Body: | Brass |
| Magnetic Shunt: | Nickel plated CRS |
| Operational Temp: | -20°C to +65°C |
| Weight (oz) | 2.0 MAX |



D4I1826K Dimensions



D4I1826K-3 Dimensions



Dimensions are in inches
Tolerance

XX ±0.03
XXX ±0.010

| Type of Device | PN Suffix | Connector Configuration Input / Output | PN Example |
|---|-----------|---|------------|
| Single and Dual Junction Isolator, 2-Port Device Input / Output | N/A | Female / Female | D4I1826K |
| | -1 | Male / Female | D4I1826K-1 |
| | -2 | Female / Male | D4I1826K-2 |
| | -3 | Male / Male | D4I1826K-3 |



MEASURED DATA

Part Number: D4I1826K, +25°C

