

SUMMARY

Wires

Low voltage 12



Image is for illustrative purpose only

Series 2P
Termination type Female print PCB
IP rating 50
AWG wire size 30.00 - 22.00
Cable Ø 0.00 - 0.00 mm
Status active
Matching parts [CAB.M12.GLA.C72GZ](#)

Download

[Request a quote](#)
[PCB Eagle Pattern](#)
[PCB Altium Pattern](#)
[PCB KiCad Pattern](#)
[Catalog](#)

TECHNICAL DETAILS

Mechanics

Shell Style/Model CK*: Fixed receptacle with two nuts (back panel mounting)
Keying No keying
Housing Material PSU (Polysulfone), gray
Weight 5.86 g

Performance

Configuration 2P.M12 : 12 Low V.
Insulator L: PEEK for solder contacts
Rated Current 7 Amps

Specifications

Test voltage (kV rms) Contact-contact: 1.25
Air clearance min.: 0.85 mm
Creepage distance min.: 0.85 mm

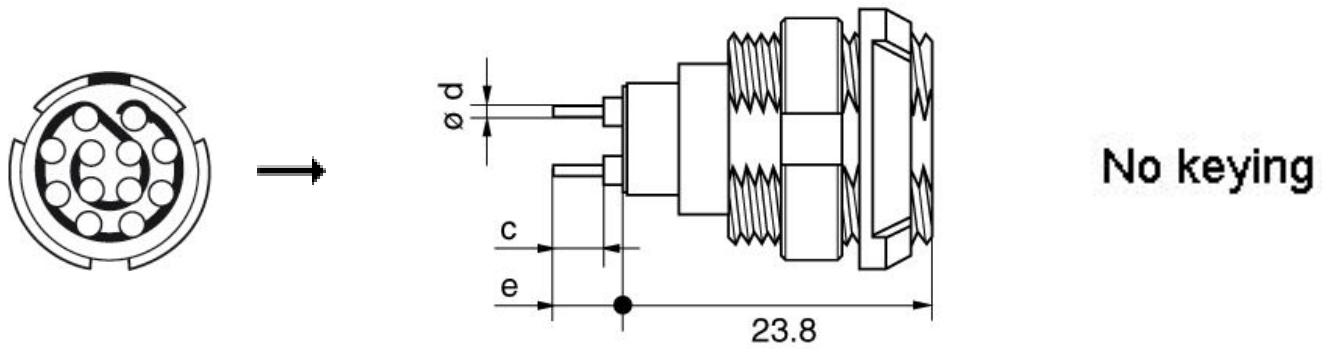
Others

Endurance (Shell): >1000 mating cycles
Temp (min / max): -50°C / +150°C
F ret (min): 150 N

LEMO products and services are provided "as is". LEMO makes no warranties or representations with regard to LEMO product & services or use of them, express, implied or statutory, including for accuracy, completeness, or security. The user is fully responsible for his products and applications using LEMO components.

F ret (max): 250 N
Steam sterilization: 20 times

DRAWINGS



Dimensions

	N	c	d	e
mm.	23.8	3.0-5.7	0.5-0.7	3.0-6.0
in.	0,94	0,12	0,02	0,12

RECOMMENDED BY LEMO

Tools

LEMO products and services are provided "as is". LEMO makes no warranties or representations with regard to LEMO product & services or use of them, express, implied or statutory, including for accuracy, completeness, or security. The user is fully responsible for his products and applications using LEMO components.