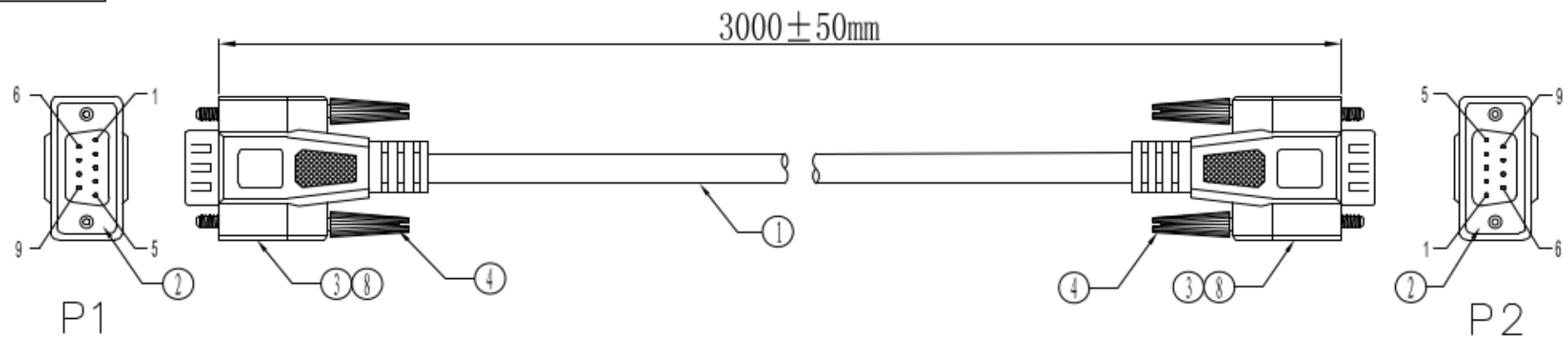
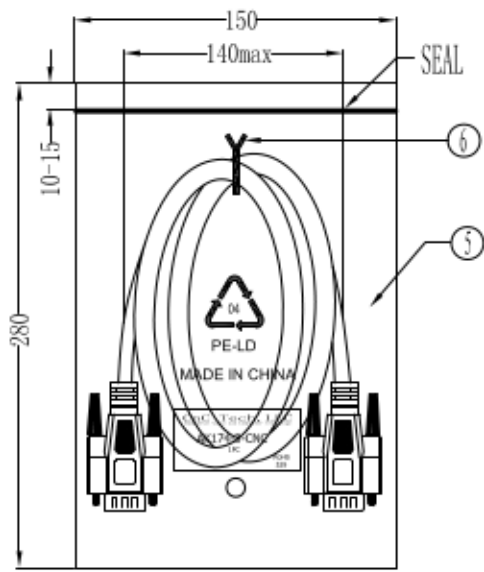


UNIT: mm



Electronic Test:
 1.100% Test,(Open,Short,Miss Wire)
 2.Contact Resistance:2 ohm max.
 3.Insulation Resistance:5M ohm min.
 4.Hi-Pot:300V DC.

PIN ASSIGNMENT		
P1		P2
1	BLACK	1
2	GREY	2
3	YELLOW	3
4	PURPLE	4
5	ORANGE	5
6	RED	6
7	BROWN	7
8	GREEN	8
9	BLUE	9
SHELL	D.W	SHELL



1PCS/PE BAG

NO.	NAME	Q'TY	SPECIFICATION
⑧	TUBE	2	HEAT SHRINK TUBE BLACK OD1.5*L15MM
⑦	PE BAG	1/10	CLEAR SIZE:360*380*0.05mm PRINT BLACK*MADE IN CHINA**10PCS* 及生产周期, 有透气孔.
⑥	TIE	1	WHITE L=130mm
⑤	PE BAG	1	CLEAR SIZE:150*280*0.05mm PRINT BLACK*MADE IN CHINA* 及生产周期, 有透气孔.
④	SCREW	4	SCREW;#4-40UNC L47mm,NICKEL PLATED,INSULATION COLOR BEIGE(V-29)
③	OUT JACKET	43.5g	BEIGE(V-29) 40P PVC(MOULD NO:WM-113)
	IN JACKET	8g	CLEAR LDPE(MOULD NO:NM-D49)
②	CONN	2	DB 9PIN MALE PIN G/F SHELL-NICKEL SOLDER TYPE INSULATION COLOR BLUE
①	CABLE	1	NOUL 30AWG(7/0.10)*9C+D.W+AL/MY+JACKET COROL:BEIGE(V-29) OD±5.0mm. L3000±15mm.

CnC Tech, LLC
 Industrial Cable and Connector Technology

DRAWN BY	ZHONGHS	DARWING NO.	
CHECKED BY		CUSTOMER	
APPROVAL BY		ITEM NO.	710-10036-00300
DECIDE BY		DATE	2011-10-24
VERSIONS/EDITEON	A/O	PROJECTION	