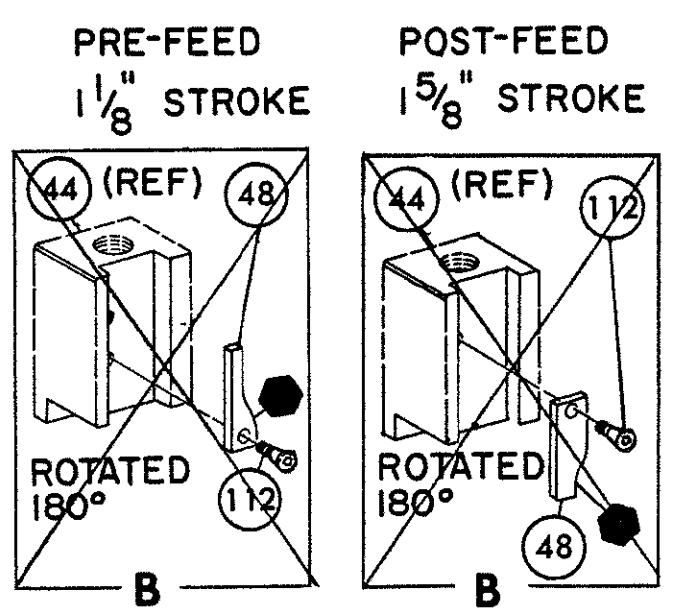
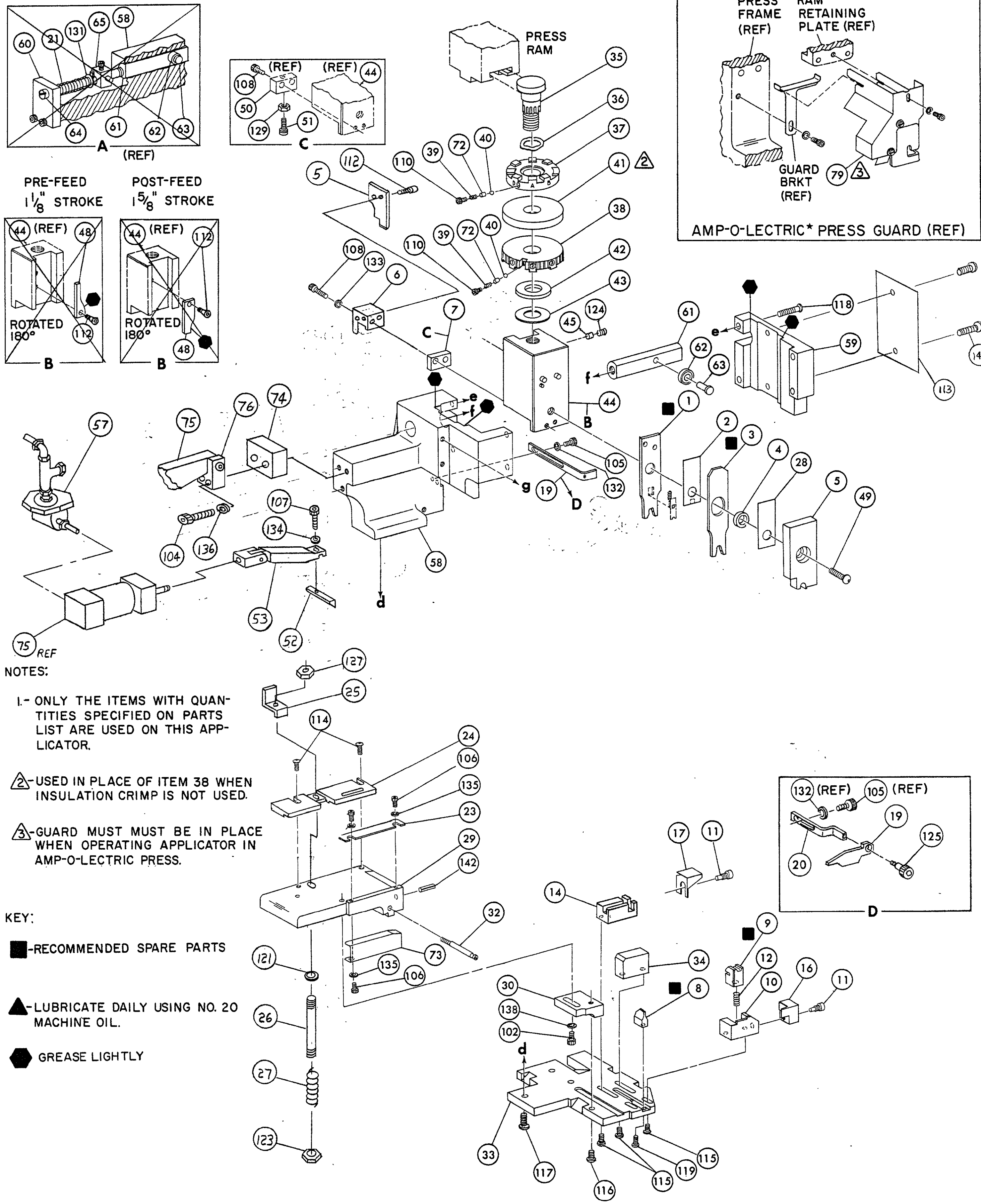
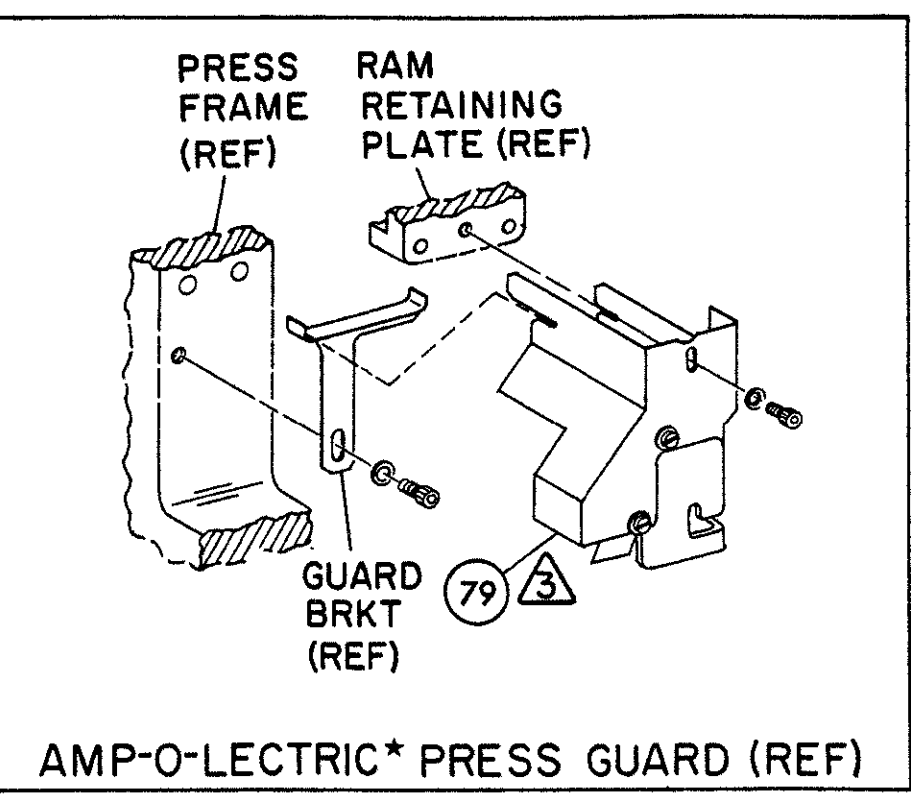


THIS DRAWING IS A CONTROLLED DOCUMENT.



NOTES:
 1- ONLY THE ITEMS WITH QUANTITIES SPECIFIED ON PARTS LIST ARE USED ON THIS APPLICATOR.
 2- USED IN PLACE OF ITEM 38 WHEN INSULATION CRIMP IS NOT USED.
 3- GUARD MUST BE IN PLACE WHEN OPERATING APPLICATOR IN AMP-O-LECTRIC PRESS.

KEY:
 ■ - RECOMMENDED SPARE PARTS
 ▲ - LUBRICATE DAILY USING NO. 20 MACHINE OIL.
 ● - GREASE LIGHTLY



QTY	PART NO	DESCRIPTION	ITEM NO	QTY	PART NO	DESCRIPTION	ITEM NO
1	21045-3	RING, RETAINING 'C' (.187 DIA) FEED FINGER PIN	145	1	454220-1	CAP, HOUSING	59
2	21017-2	SCR, DRIVE (#2 X .19) ID PLATE	144	1	454485-1	HOUSING	58
1	5-21028-1	PIN, SLOT SPR (.125 DIA X .50) ADJ ROD	143	1	692655-1	VALVE ASSY-692655-5	57
1	4-21028-0	PIN, SLOT SPR (.093 DIA X .75) STR G PLATE	142	1	24042-2	VALVE, SHUT-OFF	56
1	1-21030-1	PIN, DOWEL (.187 DIA X .50) LEVER	141	1	240624-1	PIN, FEED FINGER	55
1	1-21030-6	PIN, DOWEL (.187 DIA X 1.25) HOUSING	140	1	691499-1	SPRING, FEED FINGER	54
1	21024-5	WASHER, LOCK (NO 10) LUB ASSY	139	1	461062-1	FINGER, FEED ASSY	53
1	21024-5	WASHER, LOCK (NO 10) STRIP GUIDE ADJ BLOCK	138	1	694433-9	FEED PAWL	52
1	21024-5	WASHER, LOCK (NO 10) ADJ PLATE	137	1		BUMPER, HOLDDOWN	51
2	21024-5	WASHER, LOCK (NO 10) FEED GUIDE ROD	136	1		SPACER, TONKER	50
2	21024-3	WASHER, LOCK (NO 6) FRONT STRIP GUIDE	135	1	7-21002-9	BOLT, CRIMPER	49
1	21024-4	WASHER, LOCK (NO 8) FEED FINGER	134	1		CAM FEED STROKE	48
1	21024-4	WASHER, LOCK (NO 8) DEPRESSOR	133	1			47
1	21024-4	WASHER, LOCK (NO 8) STRIPPER	132	1	459456-1	APPLICATOR, BASIC (SUB ASSY)	46
1	21899-4	WASHER, FLAT (5/16 DIA) SCREW ADJ	131	1	690191-1	PLUG, NYLON	45
1	21899-2	WASHER, FLAT (NO 10) LUB ASSY	130	1	455673-1	RAM	44
1	21018-5	NUT, HEX MACH (6-32) HOLDDOWN	129	1	690125-1	WASHER, LAMINATED	43
1	21018-5	NUT, HEX MACH (6-32) FEED ADJ	128	1	690124-1	WASHER, RAM	42
1	21018-6	NUT, HEX MACH (8-32) DRAG	127	1		DISC, SPACER	41
1	22353-8	SCR, SHLD (.187 DIA X .250 LG) DRAG LEVER	126	2	23241-6	BALL, STEEL	40
1	456567-1	SCR, SHLD (.187 DIA X .250 LG) STRIPPER	125	2	690170-1	SPRING, COMPRESSION	39
1	21009-2	SCR, SKT SET (1/4-20 X .25) (LOC-WEL) RAM	124	1	690142-1	DISC, INSULATION	38
1	21022-2	NUT, HEX LOCK (8-32) DRAG	123	1	4-692155-7	DISC, WIRE	37
1	6-23715-5	SCR, RD HD MACH (6-32 X 1.50) FEED ADJ	122	1	22480-5	WASHER, SPRING	36
1	1-21899-3	WASHER, FLAT (NO 8) DRAG	121	1	690212-1	POST, RAM	35
1	2-21002-9	SCR, BUT HD SKT CAP (10-32 X .75) DRAG	120	1		SUPPORT, TERMINAL	34
1	22733-8	SCR, BUT HD SKT CAP (8-32 X .38) (LOC-WEL) ANVIL	119	1	455675-1	PLATE, BASE	33
4	2-21002-9	SCR, BUT HD SKT CAP (10-32 X .75) CAP	118	1	690432-3	SCREW, ADJUSTMENT	32
3	17177-1	SCR, BUT HD SKT CAP (1/4-20 X .62) HOUSING	117	1			31
1	2-21002-7	SCR, BUT HD SKT CAP (10-32 X .50) SG ADJ BLOCK	116	1	455689-1	BLOCK, STRIP GUIDE ADJ	30
4	2-21002-1	SCR, BUT HD SKT CAP (8-32 X .38) SHEAR	115	1	814388-1	PLATE, STRIP GUIDE	29
2	1-21002-6	SCR, BUT HD SKT CAP (6-32 X .25) R STRIP GUIDE	114	1		SPACER, FRONT SHEAR DEPRESSOR	28
1	461264-1	PLATE, ID	113	1	2-22281-3	SPRING, DRAG	27
2	2-21000-1	SCR, SKT HD SKT CAP (6-32 X .62) SHEAR	112	1	22354-8	STUD, DRAG	26
1	3-21000-4	SCR, SKT HD CAP (10-32 X .38) LUBRICATOR ASSY	111	1	387650-5	DRAG, STOCK	25
2	23030-1	SCR, SKT HD CAP (6-32 X .25) (LOC-WEL) CP DISC	110	1	1-460462-1	GUIDE STRIP (REAR)	24
1	23030-1	SCR, SKT HD CAP (6-32 X .25) REAR SHEAR PLATE	109	1	1-460461-1	GUIDE, STRIP (FRONT)	23
2	2-21000-9	SCR, SKT HD CAP (8-32 X .75) DEPRESSOR	108	1			22
1	2-22603-0	SCR, HEX HD MACH (8-32 X .31) FEED FINGER	107	1	4-22284-9	SPRING, FEED RETURN	21
2	1-21000-9	SCR, SKT HD CAP (6-32 X .38) F STRIP GUIDE	106	1		ARM, STRIPPER	20
1	2-21000-7	SCR, SKT HD CAP (8-32 X .50) STRIPPER	105	1	691353-1	STRIPPER	19
2	4-21000-2	SCR, SKT HD CAP (10-32 X 1.75) FEED ASSY	104	1		HOLDER, TERMINAL	18
1	3-21000-6	SCR, SKT HD CAP (10-32 X .62) FEED ADJ BLOCK	103	1		GUARD, CHIP (REAR)	17
1	3-21000-4	SCR, SKT HD CAP (10-32 X .38) SG ADJ BLOCK	102	1		GUARD, CHIP (FRONT)	16
1	3-21000-4	SCR, SKT HD CAP (10-32 X .38) PIVOT BLOCK	101	1		PLATE, SHEAR (REAR)	15
1	462992-4	GUARD ASSY.	79	1	807941-1	PLATE, SHEAR (FRONT)	14
1	1-465184-0	LUBRICATOR ASSY	78	1		SHEAR, FLOAT (REAR)	13
1	459610-3	MOUNT, FEED BRACKET	77	1	5-22280-0	SPRING, SHEAR	12
1	461065-2	AIR FEED ASSY	75	1	690461-1	STOP, SHEAR	11
1	461690-3	SPACER, AIR FEED	74	1		HOLDER, SHEAR (FRONT)	10
1		PLATE, STRIP GUIDE COVER	73	1		SHEAR, FLOAT (FRONT)	9
2	690603-1	SPRING, ASSIST	72	1	454055-2	ANVIL	8
1	690517-1	SPACER	71	1	5-240641-8	SPACER, DEPRESSOR (REAR)	7
1	22594-8	NUT, HEX	70	1	807942-1	BLADE, SHEAR	6
1	240628-1	PLATE, ADJUSTMENT	69	1	807943-1	BLADE, SHEAR	5
1	240626-1	SHAFT, PIVOT	68	1	238009-1	SPACER, TUBULAR, INS CRIMPER	4
1	240633-1	BUSHING	67	1	3-456134-6	CRIMPER, INSULATION	3
1	455680-1	LEVER, INTERMEDIATE	66	1	455888-7	SPACER, CRIMPER	2
1	240629-1	BLOCK, PIVOT	65	1	3-456406-0	CRIMPER, WIRE	1
1	240632-2	SCREW, ADJUSTMENT FEED ROD	64	1			
1	240659-3	PIN, CAM ROLLER	63	1			
1	240658-1	ROLLER, CAM	62	1			
1	454398-2	ROD, FEED	61	1			
1	454178-1	GUIDE, FEED ROD	60	1			

CRIMPING DATA				APPLICATOR WILL APPLY	
PAD LTR	CRIMP HEIGHT	WIRE SIZE	STRIP LENGTH	63361	
A	.056	18	---		
B	.052	20	---		
C	.050	22	---		
D	NOT USED				
CRIMP	SIZE	TYPE	FEED	APPL INST	
WIRE	.090	F	1.280	A1 8040	
INSUL	.155	F			
WIRE RANGE	22-18	INSULATION RANGE	.070-126	PRESS NO 565435-5	
REMARKS					
AMP-O-LECTRIC AIR FEED					
ID PLATE REF: 461264-1					

REMARKS	NO	REV
APPL USED ON MACHINE PART NO	MACH SERIAL NO	TO APPLY TERMINAL
CUSTOMER NAME	APPL SERIAL NO	NONE
ADDRESS	PURCHASE ORDER	DISTRIBUTION
CITY	ENG APP	ORIGINAL
		CUSTOMER COPY
		FIELD ENG COPY

P	F	L	T	R	REVISION RECORD	APP	DATE	P	F	L	T	R	REVISION RECORD	APP	DATE