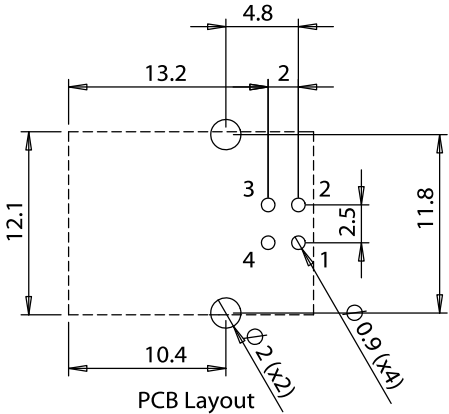
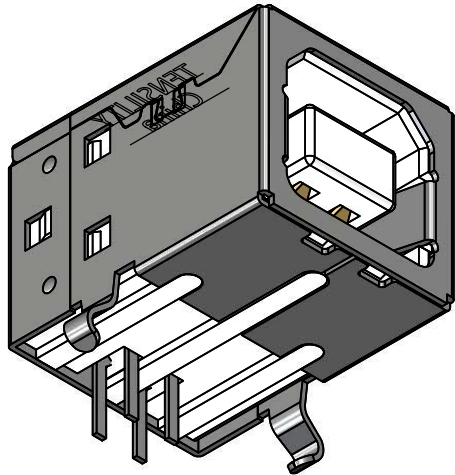
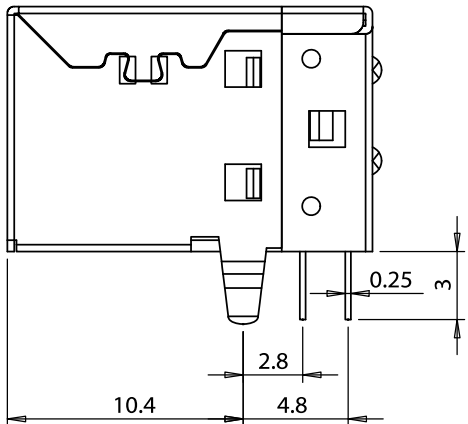
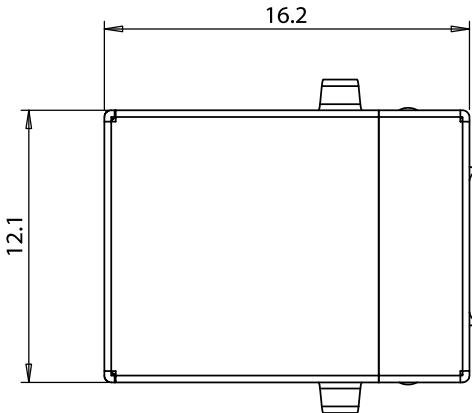
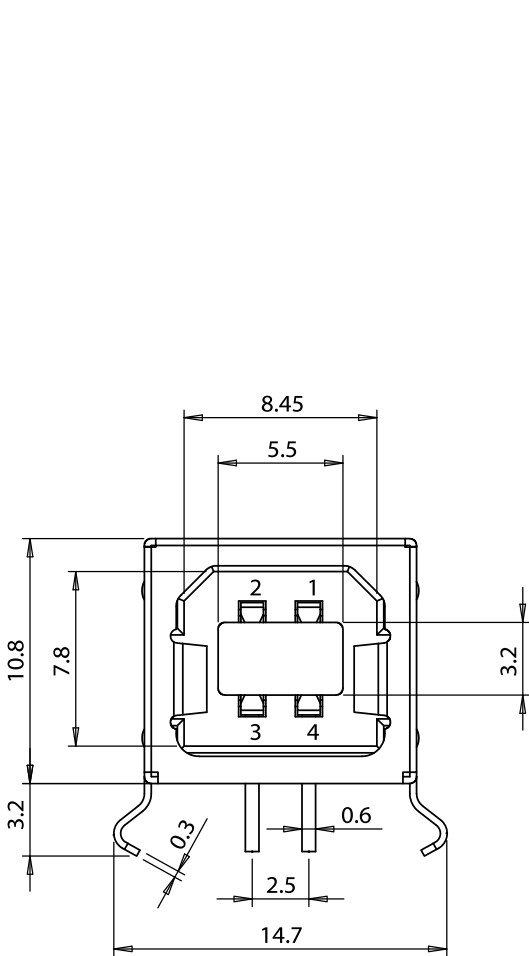


USB B jack 90° PCB mount



Revision:	Date:	Description:
A	10-22/2015	Initial release
A1	07/30/2018	Corrected operating temp range

Prepared: **GL**
Digitally signed by GL
 Date: 2018.08.06
 10:51:30 -07'00'

Verified: **RS**
Digitally signed by RS
 Date: 2018.08.09
 10:59:09 -07'00'

Dimensions are in millimeters.
 Tolerances:
 X: ± 0.5 mm
 X.X: ± 0.3 mm
 X.XX: ± 0.05 mm

Notes:

RoHS compliant

Function test: no open, no short circuit, no intermittent

Description:
 Connector, USB B Jack, PCB mount, 90°, nickel shell, shielded, board lock, white insulator, tray

TENSILITY

tel 1.541.323.3228 800 877.670.7118
 fax 1.541.323.4202 web tensility.com

Size:	Part number:
A	54-00018
Scale: 2:1	Sheet 1 of 2

