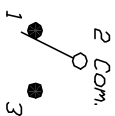


RECOMMENDED P.C.B. LAYOUT

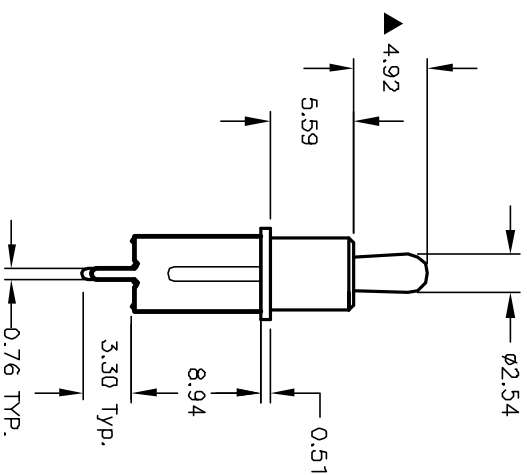
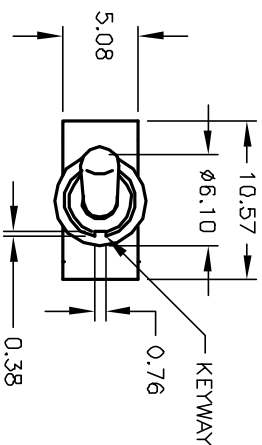


CIRCUIT: SPDT
CONTACT CONFIGURATION

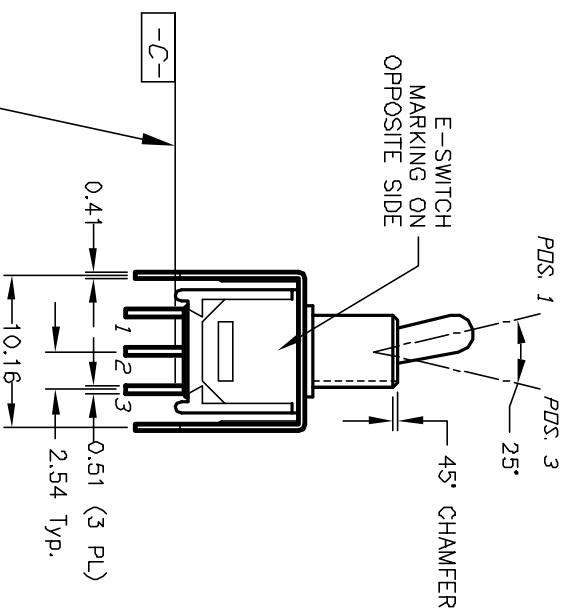
SWITCH FUNCTION		
PDS. 1	PDS. 2	PDS. 3
DN	NONE	DN
2-3	OPEN	2-1

NOTES:

1. ALL DIMENSIONS IN MM
2. GENERAL TOLERANCE: X.X=±0.4
X.XX=±0.25
3. TERM. NOS. FDR REF. ONLY
4. CONTACT RATING: 3A @120VAC or 28VDC,
1A @250VAC
5. FIXED TERMINAL & MOVING CONTACT: Cu alloy w/Silver plate
6. CONTACT RESISTANCE: 20mILLI OHMS max. Initial
@2-4VDC 100mA for Au and Ag
7. ELECTRIC LIFE: 30,000 make-and-break cycles
at full load.
8. INSULATION RESISTANCE: 1,000 M ohm min.
9. DIELECTRIC STRENGTH: 1,000 V RMS @sed level.
10. OPERATING TEMP.: -30°C to 85°C



▲ BELOW THIS SURFACE
ND EPOXY ON TERMINALS



E-SWITCH®

REV.	ECN No.	DESCRIPTION	DATE	CHKD
A	12880	RELEASED FOR PRODUCTION	3/4/03	CJB

TITLE	SCALE	DATE	DR	DWG	REV
200 MSP-1 T2 B4 VS2 Q E	2:1	3/4/03	CJB	T211102	A

THE INFORMATION CONTAINED IN THIS DOCUMENT IS PROPRIETARY TO E-SWITCH AND IS NOT TO BE COPIED OR TRANSMITTED