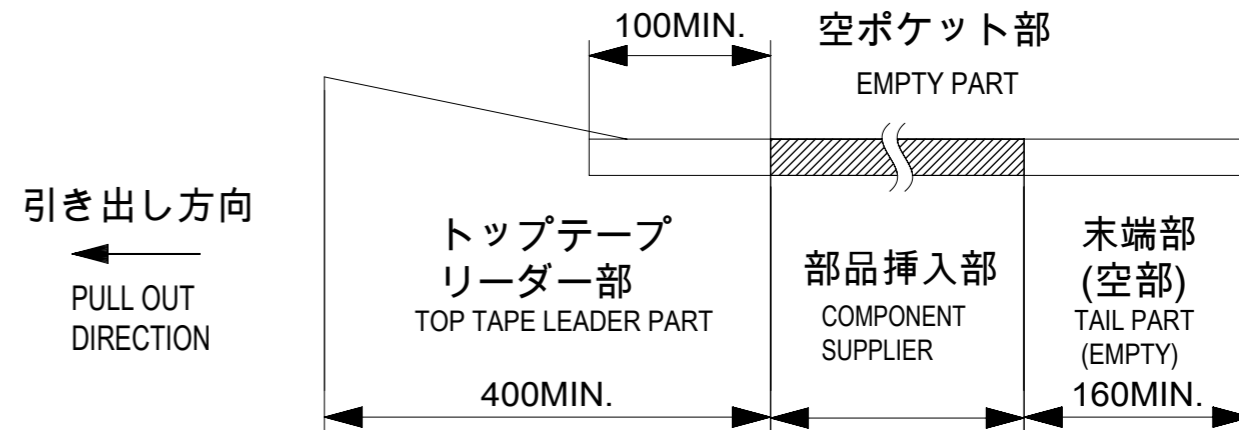


NOTES

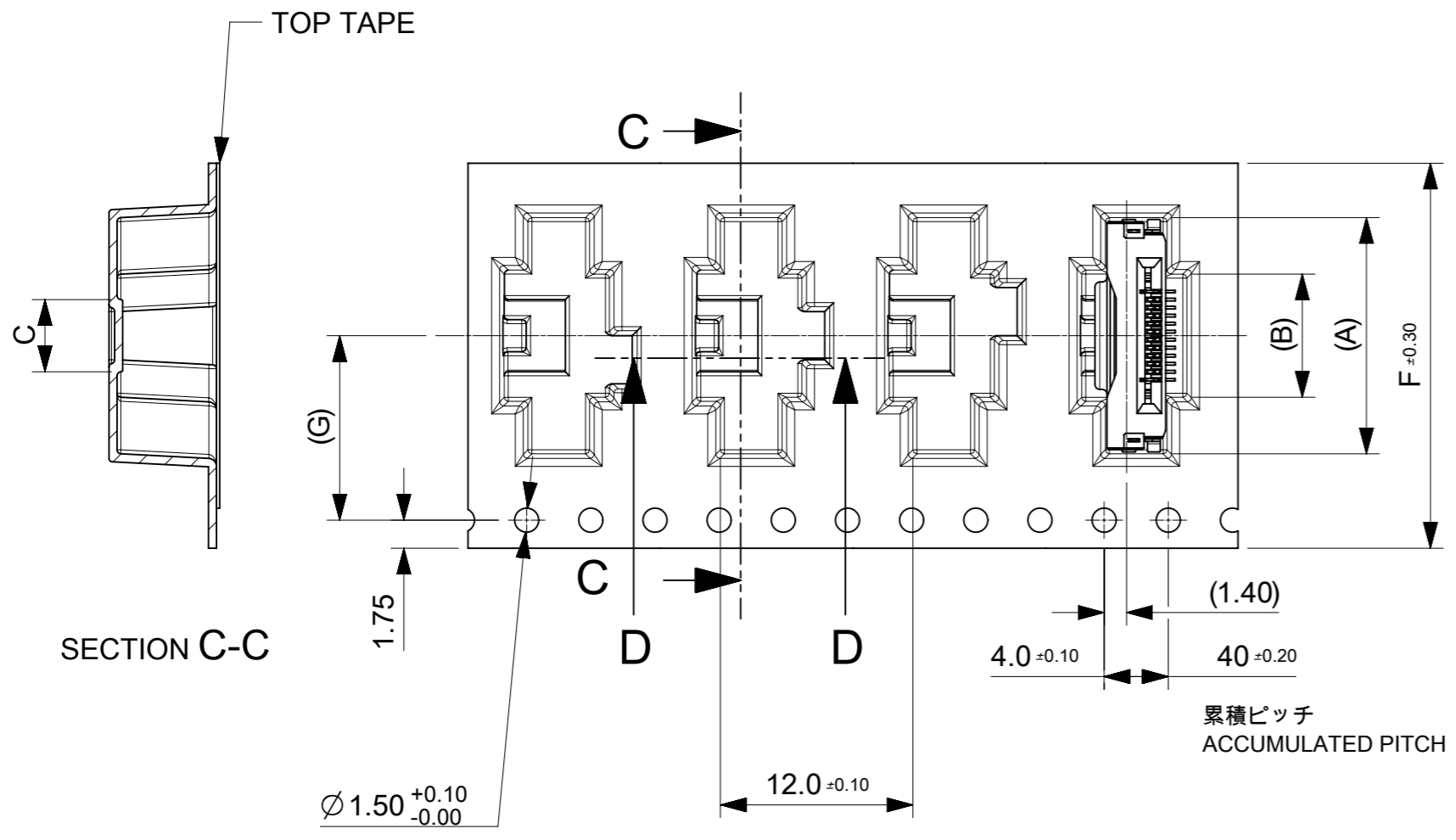
- 梱包数量 : 1200個 / リール  
NUMBER OF CONNECTORS : 1200 PCS/REEL.
- リードテープ長さ  
LEAD TAPE LENGTH



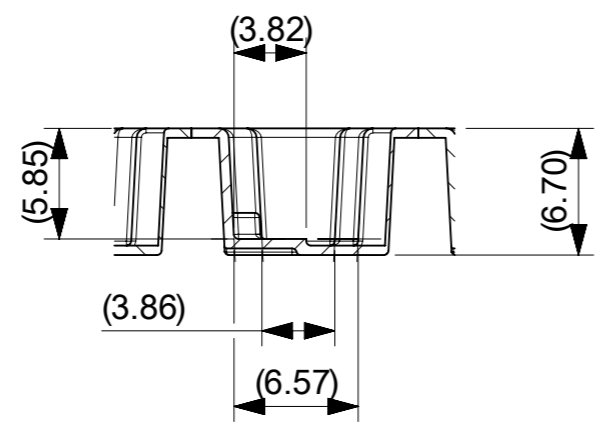
- カバーテープの剥離強度については、IEC60286-3に準拠。  
TOP TAPE PEEL FORCE IS DEFINED BY IEC 60286-3.
- 製品詳細寸法については、図面 2004851700を参照下さい。  
FOR DIMENSIONS OF PRODUCT, REFER TO 2004851700
- 材料 MATERIAL  
キャリアテープ : ポリスチレン  
CARRIER TAPE : POLYSTYRENE  
トップテープ : ポリエチレンテレフタレート、ポリエチレン  
TOP TAPE : POLYETHYLENE TEREPHTHALATE, POLYETHYLENE  
リール : ポリスチレン<リサイクル材を含む>  
REEL : POLYSTYRENE RECYCLED MATERIAL CONTAINED
- ELV及びRoHS適合品 ELV AND RoHS COMPLIANT.

THIS DRAWING CONTAINS INFORMATION THAT IS PROPRIETARY TO MOLEX ELECTRONIC TECHNOLOGIES, LLC AND SHOULD NOT BE USED WITHOUT WRITTEN PERMISSION		CURRENT REV DESC:		<b>molex</b>		
DIMENSION UNITS	SCALE					
mm	NTS			EMB PKG ONE-TOUCH ST GND		
GENERAL TOLERANCES (UNLESS SPECIFIED)				PRODUCT CUSTOMER DRAWING		
ANGULAR TOL	± 1.0 °			DOCUMENT NUMBER		
4 PLACES	± 0.1	EC NO: 648126		2004850700		
3 PLACES	± 0.1	DRWN: TYAMANE		PSD		
2 PLACES	± 0.1	CHK'D: YMATSUMOTO		000		
1 PLACE	± 0.1	APPR: SHOSHIKAWA		B		
0 PLACES	± 0.1	INITIAL REVISION:		REVISION		
DRAFT WHERE APPLICABLE MUST REMAIN WITHIN DIMENSIONS		THIRD ANGLE PROJECTION	DRAWING	SERIES	MATERIAL NUMBER	CUSTOMER
			A3-SIZE	200485	SEE TABLE	GENERAL
						SHEET NUMBER
						1 OF 3

引き出し方向  
PULL OUT  
DIRECTION



SECTION C-C



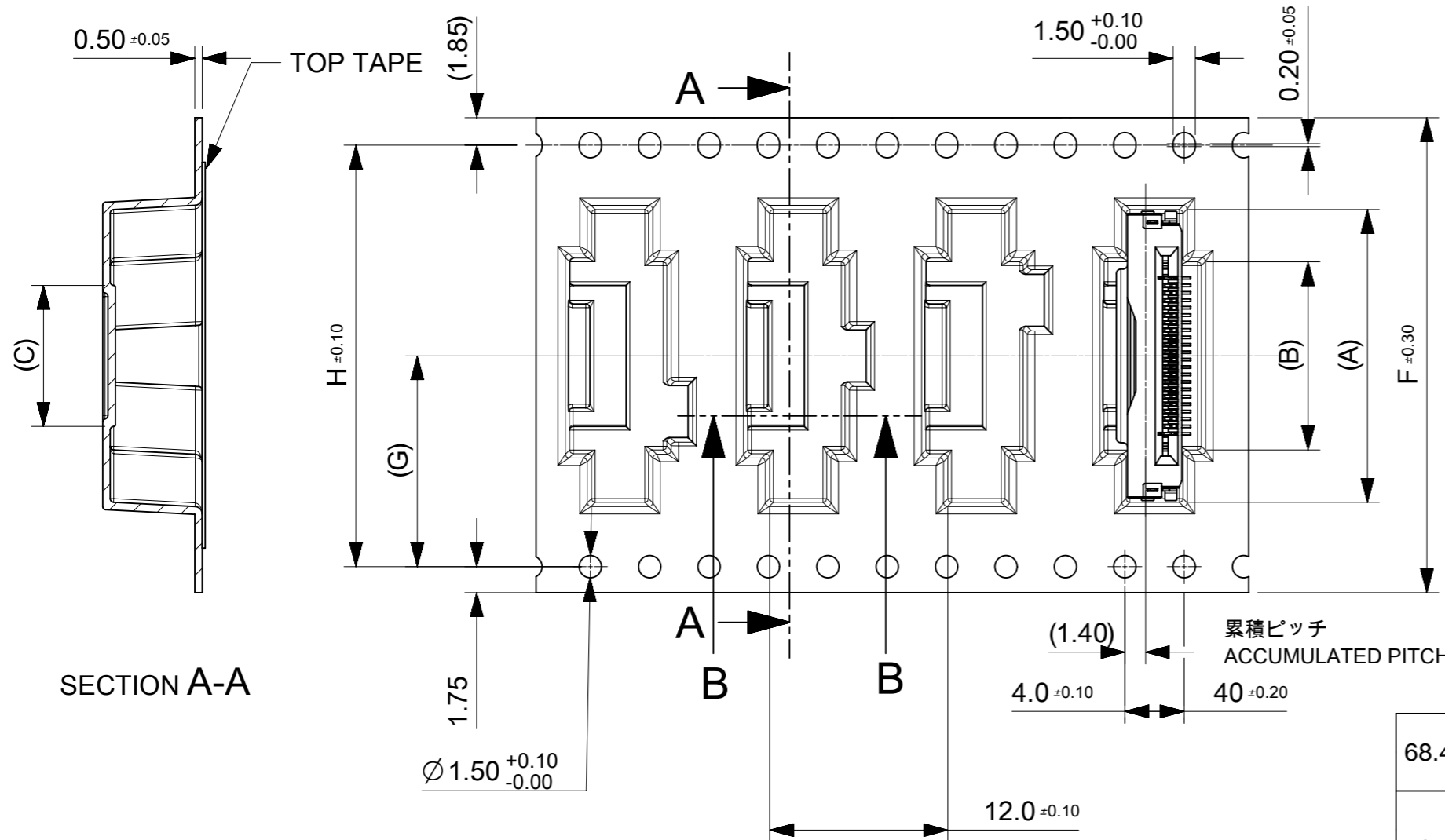
SECTION D-D

CONNECTOR NO. 20048517\*\*

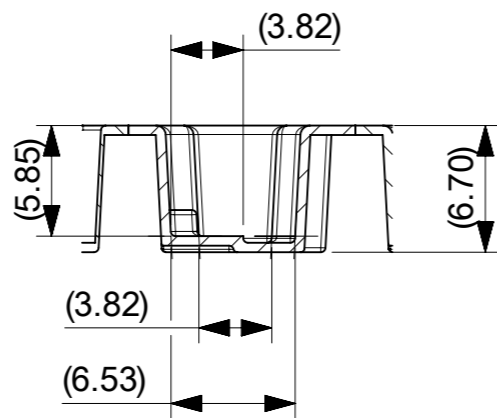
11.5	24	29.4	25.4	4.5	7.65	14.7	2004850710		10
G	F	E	D	C	B	A	EMBOSSED PACKAGE		Ckt
							オーダー番号 ORDER NO.		

THIS DRAWING CONTAINS INFORMATION THAT IS PROPRIETARY TO MOLEX ELECTRONIC TECHNOLOGIES, LLC AND SHOULD NOT BE USED WITHOUT WRITTEN PERMISSION										
DIMENSION UNITS mm		SCALE NTS		CURRENT REV DESC:				<b>molex</b>		EMB PKG ONE-TOUCH ST GND
GENERAL TOLERANCES (UNLESS SPECIFIED)		ANGULAR TOL ± 1.0°		EC NO: 648126						
4 PLACES ± 0.1		3 PLACES ± 0.1		DRWN: TYAMANE		2020/10/15		PRODUCT CUSTOMER DRAWING		
2 PLACES ± 0.1		1 PLACE ± 0.1		CHK'D: YMATSUMOTO		2020/10/30		INITIAL REVISION:		
0 PLACES ± 0.1		DRAFT WHERE APPLICABLE MUST REMAIN WITHIN DIMENSIONS		APPR: SHOSHIKAWA		2020/11/02		DOCUMENT NUMBER		
THIRD ANGLE PROJECTION		DRAWING		SERIES		MATERIAL NUMBER		CUSTOMER		
A3-SIZE		200485		2018/10/03		2020/06/08		2004850700		
PSD		000		B		SEE TABLE		GENERAL		
SHEET NUMBER		2 OF 3								

引き出し方向  
PULL OUT  
DIRECTION



SECTION A-A



SECTION B-B

累積ピッチ  
ACCUMULATED PITCH

(1.40)  
4.0 ±0.10  
40 ±0.20

68.4	34.2	72	78.1	73.5	39.5	42.65	49.7	2004850780	80
					34.5	37.65	44.7	2004850770	70
52.4	26.2	56	61.4	75.4	29.5	32.65	39.7	2004850760	60
					25	28.15	35.2	2004850751	51
40.4	20.2	44	49.4	45.4	24.5	27.65	34.7	2004850750	50
					19.5	22.65	29.7	2004850740	40
					17	20.15	27.2	2004850735	35
28.4	14.2	32	37.4	33.4	14.5	17.65	24.7	2004850730	30
					9.5	12.65	19.7	2004850720	20
H	G	F	E	D	C	B	A	EMBOSSED PACKAGE	Ckt
								オーダー番号 ORDER NO.	

THIS DRAWING CONTAINS INFORMATION THAT IS PROPRIETARY TO MOLEX ELECTRONIC TECHNOLOGIES, LLC AND SHOULD NOT BE USED WITHOUT WRITTEN PERMISSION

DIMENSION UNITS	SCALE	CURRENT REV DESC:	
mm	NTS		
GENERAL TOLERANCES (UNLESS SPECIFIED)			
ANGULAR TOL	± 1.0 °		
4 PLACES	± 0.1	EC NO: 648126	2020/10/15
3 PLACES	± 0.1	DRWN: TYAMANE	2020/10/30
2 PLACES	± 0.1	CHK'D: YMATSUMOTO	2020/11/02
1 PLACE	± 0.1	APPR: SHOSHIKAWA	
0 PLACES	± 0.1	INITIAL REVISION:	
DRAFT WHERE APPLICABLE MUST REMAIN WITHIN DIMENSIONS		DRWN: TYAMANE	2018/10/03
THIRD ANGLE PROJECTION		APPR: SHOSHIKAWA	2020/06/08
DRAWING		SERIES	MATERIAL NUMBER
A3-SIZE		200485	SEE TABLE
CUSTOMER		GENERAL	
SHEET NUMBER		3 OF 3	

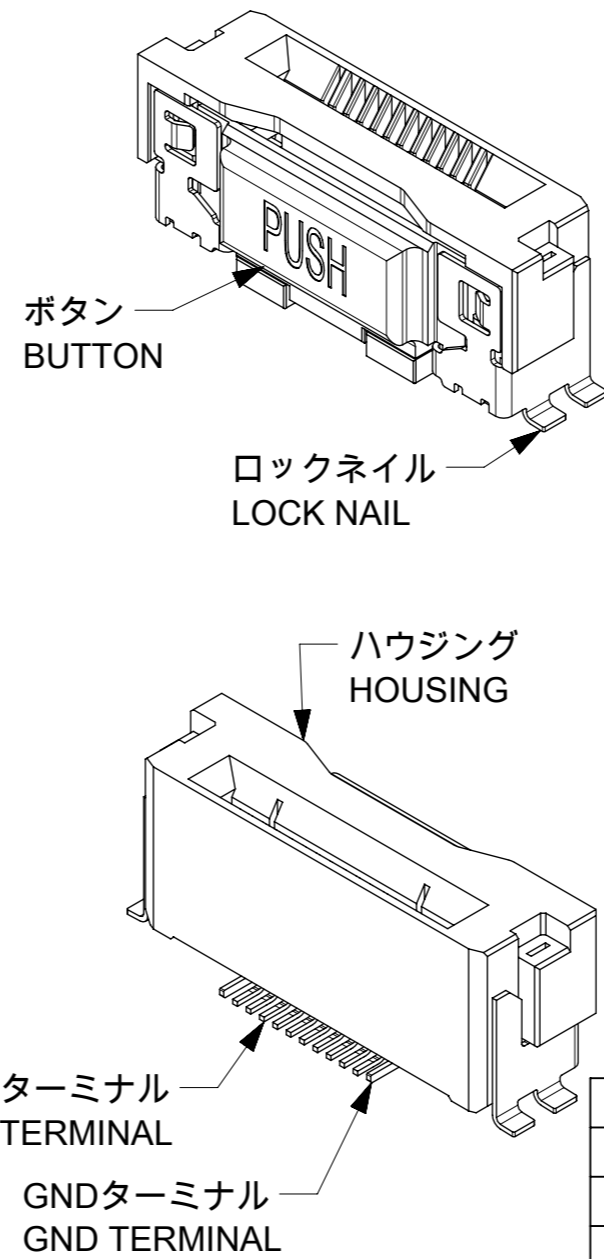
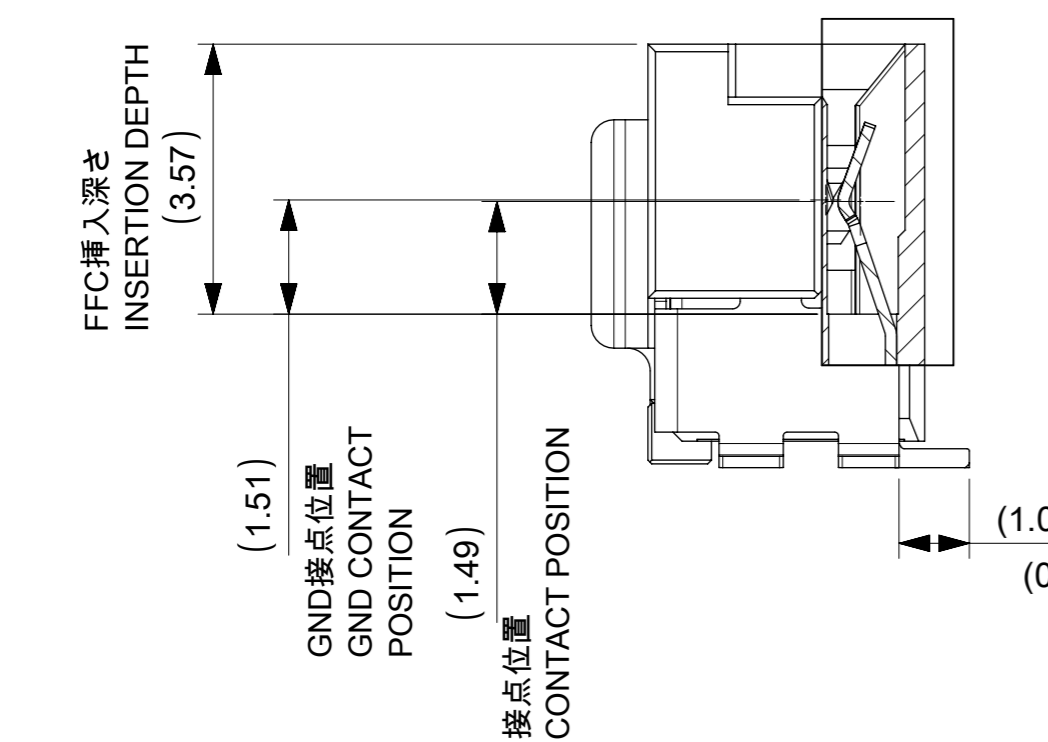
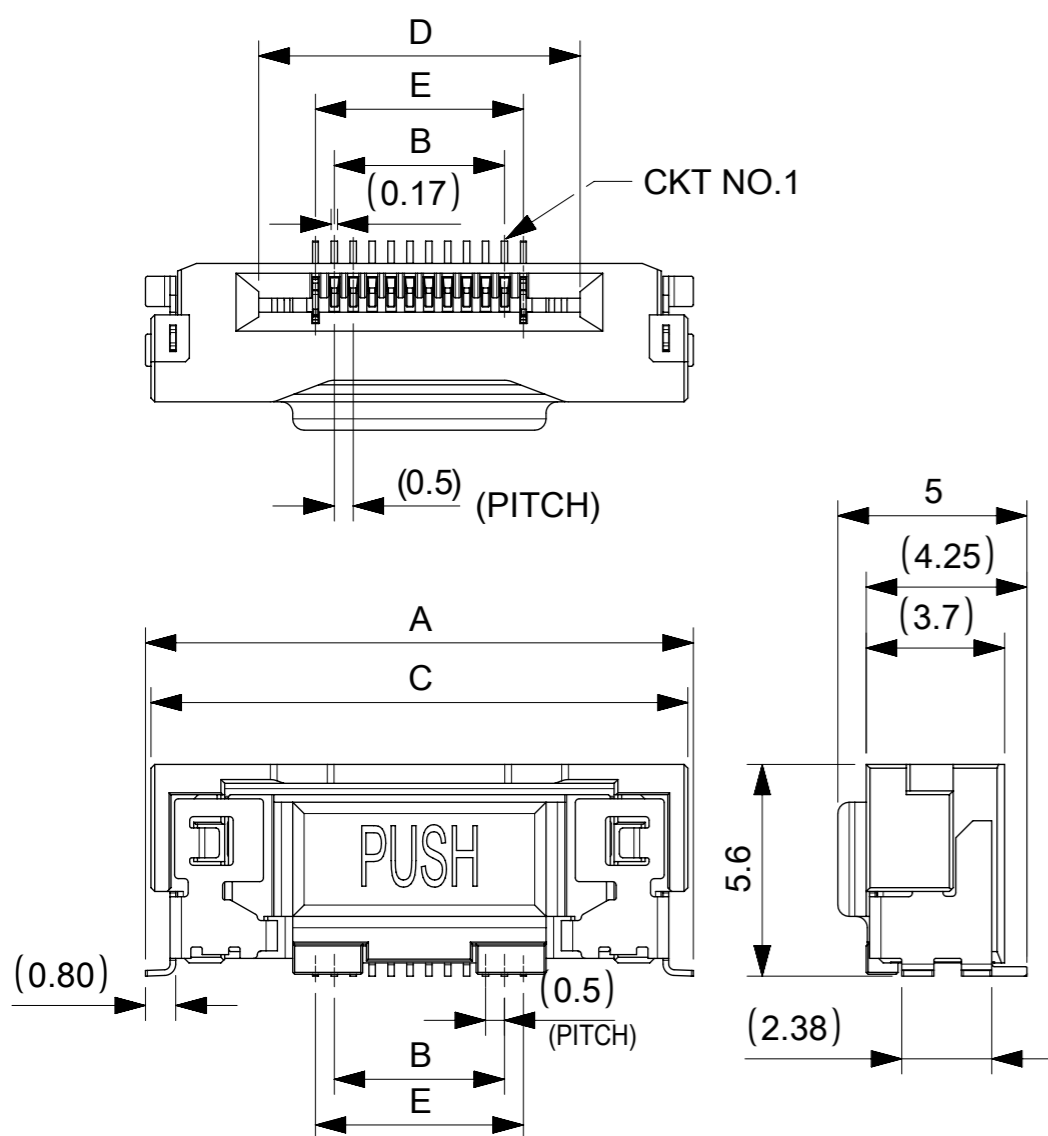
**molex**

EMB PKG ONE-TOUCH ST GND

PRODUCT CUSTOMER DRAWING

DOCUMENT NUMBER: 2004850700  
DOC TYPE: PSD  
DOC PART: 000  
REVISION: B

CONNECTOR NO. 20048517\*\*

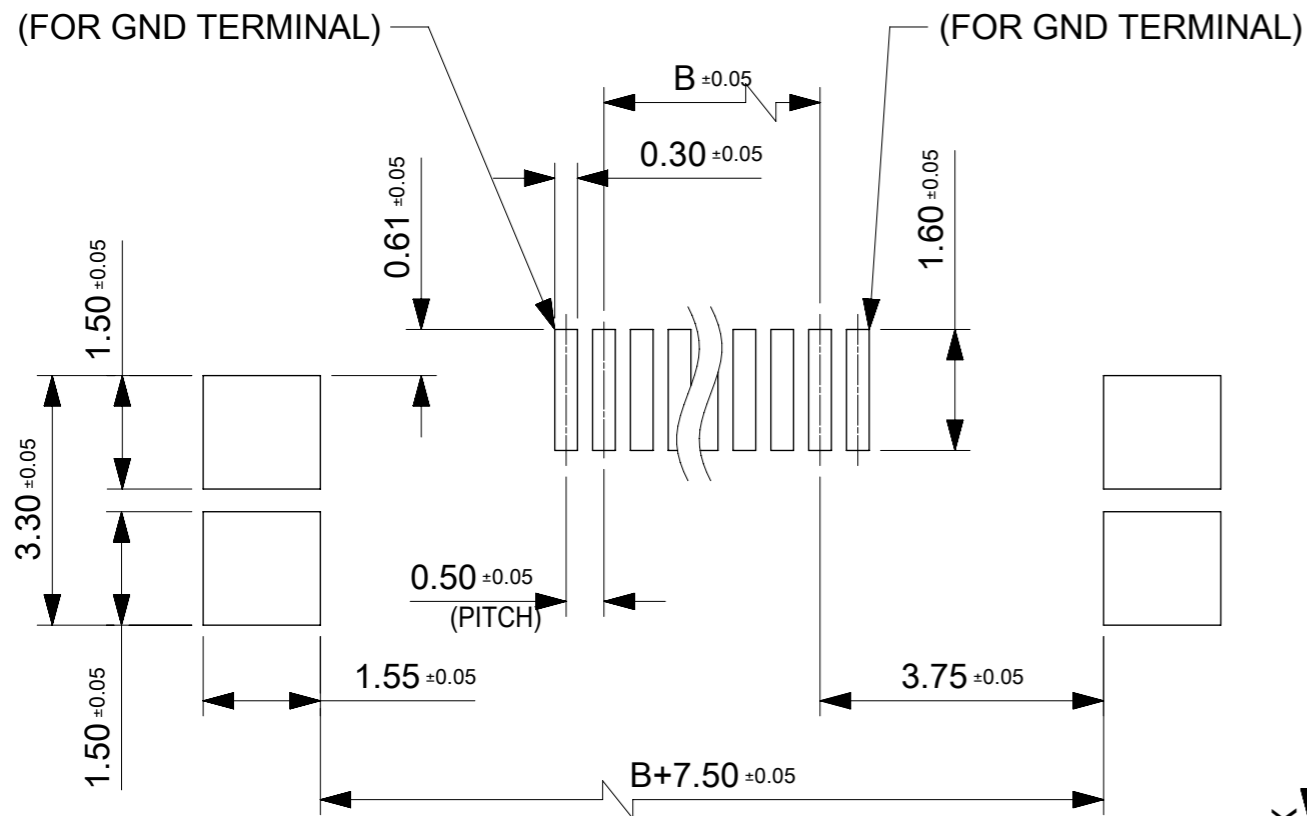


NOTES:  
 1.使用材料 MATERIAL  
 ハウジング：液晶ポリマー，ガラス充填，UL94V-0(黒)  
 HOUSING：LIQUID CRYSTAL POLYMER, GLASS FILLED, UL94V-0(BLACK)  
 ボタン：液晶ポリマー，ガラス充填，UL94V-0(ナチュラル)  
 BUTTON：LIQUID CRYSTAL POLYMER, GLASS FILLED, UL94V-0(NATURAL)  
 ターミナル：銅合金(t=0.15)  
 TERMINAL：COPPER ALLOY  
 ロックネール：銅合金(t=0.15)  
 LOCK NAIL：COPPER ALLOY  
 GNDターミナル：銅合金(t=0.15)  
 GND TERMINAL：COPPER ALLOY  
 2.めっき仕様 PLATING  
 ターミナル TERMINAL  
 接点部：金めっき 0.1μm以上  
 CONTACT AREA：GOLD 0.1 MICROMETER MINIMUM  
 半田付け部：金めっき  
 SOLDER TAIL AREA：GOLD  
 下地めっき：ニッケル 1.0μm以上  
 UNDERPLATE：NICKEL 1.0 MICROMETER MINIMUM  
 ロックネール LOCK NAIL  
 錫めっき(1.0μm以上)  
 TIN PLATING (1.0 MICROMETER MIN.)  
 GNDターミナル GND TERMINAL  
 錫めっき(1.0μm以上)  
 TIN PLATING (1.0 MICROMETER MIN.)  
 3.平坦度は0.1ミリ以下とする。  
 COPLANALITY TO BE 0.1 MAXIMUM.

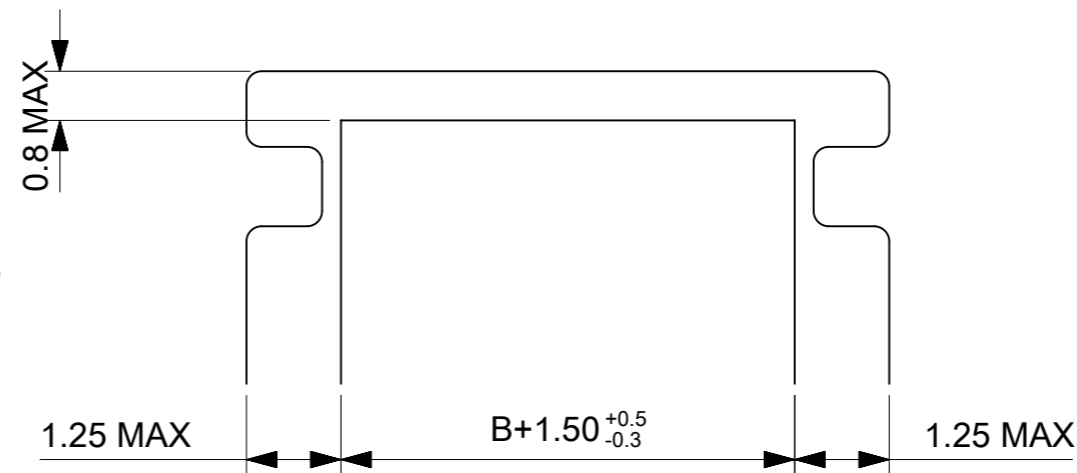
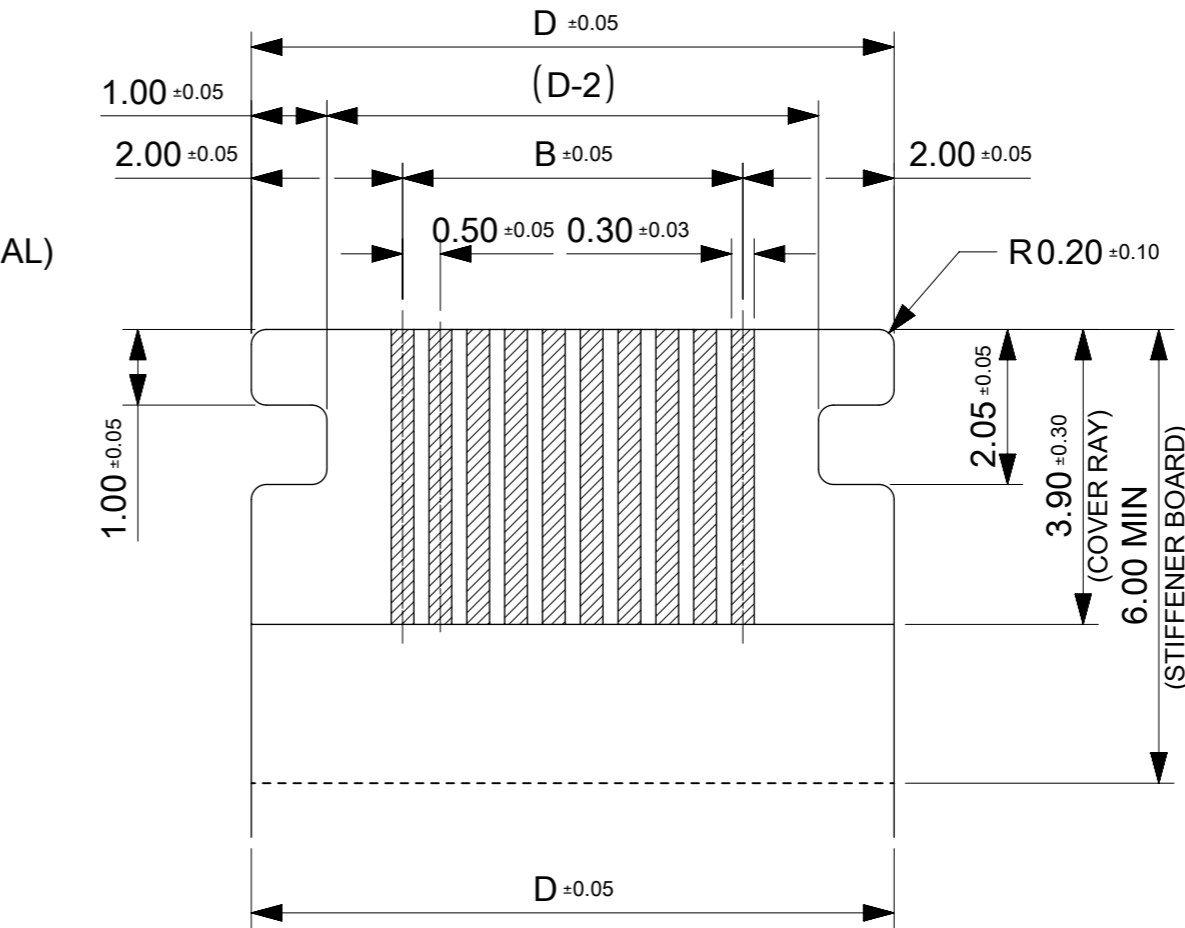
1.323	40.5	43.5	49.2	39.5	49.49	2004850780	80
1.215	35.5	38.5	44.2	34.5	44.49	2004850770	70
1.072	30.5	33.5	39.2	29.5	39.49	2004850760	60
0.957	26	29	34.7	25	34.99	2004850751	51
0.942	25.5	28.5	34.2	24.5	34.49	2004850750	50
0.796	20.5	23.5	29.2	19.5	29.49	2004850740	40
0.702	18	21	26.7	17	26.99	2004850735	35
0.650	15.5	18.5	24.2	14.5	24.49	2004850730	30
0.504	10.5	13.5	19.2	9.5	19.49	2004850720	20
0.358	5.5	8.5	14.2	4.5	14.49	2004850710	10
NET WEIGHT (g)	E	D	C	B	A	EMBOSSED PACKAGE	CIRC UIT
CONNECTOR SERIES NO. 20048517**						ORDER NO.	

THIS DRAWING CONTAINS INFORMATION THAT IS PROPRIETARY TO MOLEX ELECTRONIC TECHNOLOGIES, LLC AND SHOULD NOT BE USED WITHOUT WRITTEN PERMISSION

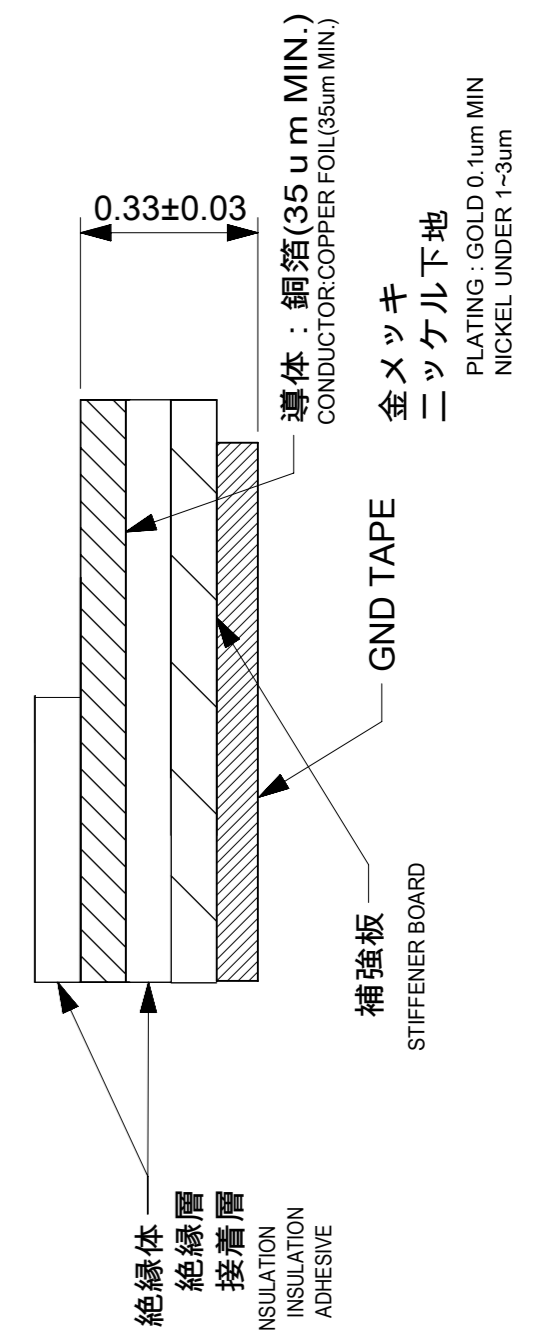
DIMENSION UNITS mm	SCALE 5:1	CURRENT REV DESC:		<b>molex</b>			
GENERAL TOLERANCES (UNLESS SPECIFIED)		EC NO: 674194					0.5FFFC CONN. ST ONE TOUCH ASS'Y GND
ANGULAR TOL	± 1.0°	4 PLACES	± 0.1	DRWN: AHMADI2	2021/08/18	PRODUCT CUSTOMER DRAWING	
		3 PLACES	± 0.1	CHK'D: TKON	2021/08/19	DOCUMENT NUMBER	
		2 PLACES	± 0.1	APPR: SHOSHIKAWA	2021/08/19	DOC TYPE	
		1 PLACE	± 0.1	INITIAL REVISION:		DOC PART	
		0 PLACES	± 0.1	DRWN: TYAMANE	2018/08/21	REVISION	
DRAFT WHERE APPLICABLE MUST REMAIN WITHIN DIMENSIONS		THIRD ANGLE PROJECTION		APPR: SHOSHIKAWA	2020/06/08	2004851700	
		DRAWING	SERIES	MATERIAL NUMBER	CUSTOMER	SHEET NUMBER	
		A3-SIZE	200485	SEE TABLE	GENERAL	1 OF 2	



推奨PWB寸法  
 RECOMMENDED PWB DIMENSION  
 推奨メタルマスク厚、開口率 : t=0.12mm, 80%  
 RECOMMENDED METAL MASK THICKNESS, APERTURE RATIO : t=0.12mm, 80%  
 ロックネイル部開口率は100%  
 APERTURE RATIO FOR LOCK NAIL: 100%



推奨FFC寸法  
 RECOMMENDED FFC DIMENSION  
 抜き方向は導体側から補強版側を推奨します  
 RECOMMENDED PUNCHING DIRECTION:  
 FROM CONDUCTOR SIDE TO STIFFENER SIDE



導体 : 銅箔(35µm MIN.)  
 CONDUCTOR: COPPER FOIL(35µm MIN.)  
 金メッキ  
 ニッケル下地  
 PLATING : GOLD 0.1µm MIN  
 NICKEL UNDER 1~3µm

THIS DRAWING CONTAINS INFORMATION THAT IS PROPRIETARY TO MOLEX ELECTRONIC TECHNOLOGIES, LLC AND SHOULD NOT BE USED WITHOUT WRITTEN PERMISSION		CURRENT REV DESC:		<b>molex</b>	
DIMENSION UNITS	SCALE				
mm	10:1			0.5FFC CONN. ST ONE TOUCH ASS'Y GND	
GENERAL TOLERANCES (UNLESS SPECIFIED)				PRODUCT CUSTOMER DRAWING	
ANGULAR TOL	± 1.0 °			DOCUMENT NUMBER	
4 PLACES	± 0.1	EC NO: 674194		2004851700	
3 PLACES	± 0.1	DRWN: AHMADI2		PSD	
2 PLACES	± 0.1	CHK'D: TKON		000	
1 PLACE	± 0.1	APPR: SHOSHIKAWA		C	
0 PLACES	± 0.1	INITIAL REVISION:		DOC TYPE	
DRAFT WHERE APPLICABLE MUST REMAIN WITHIN DIMENSIONS		THIRD ANGLE PROJECTION		DOC PART	
		DRAWING		REVISION	
		SERIES			
		MATERIAL NUMBER		CUSTOMER	
		SHEET NUMBER			
		A3-SIZE		200485	
		SEE TABLE		GENERAL	
		2 OF 2			