


Device connector, rear mounting - TU-17S1NA24300 - 1616923

Please be informed that the data shown in this PDF Document is generated from our Online Catalog. Please find the complete data in the user's documentation. Our General Terms of Use for Downloads are valid (<http://phoenixcontact.com/download>)

Device connector for rear wall, straight, shielded: yes, Bayonet locking, M23, No. of pos.: 17, type of contact: Socket, Solder-in connection, Radial O-ring, 4xM3



Key Commercial Data

Packing unit	10 pc
GTIN	 4 046356 522212
GTIN	4046356522212

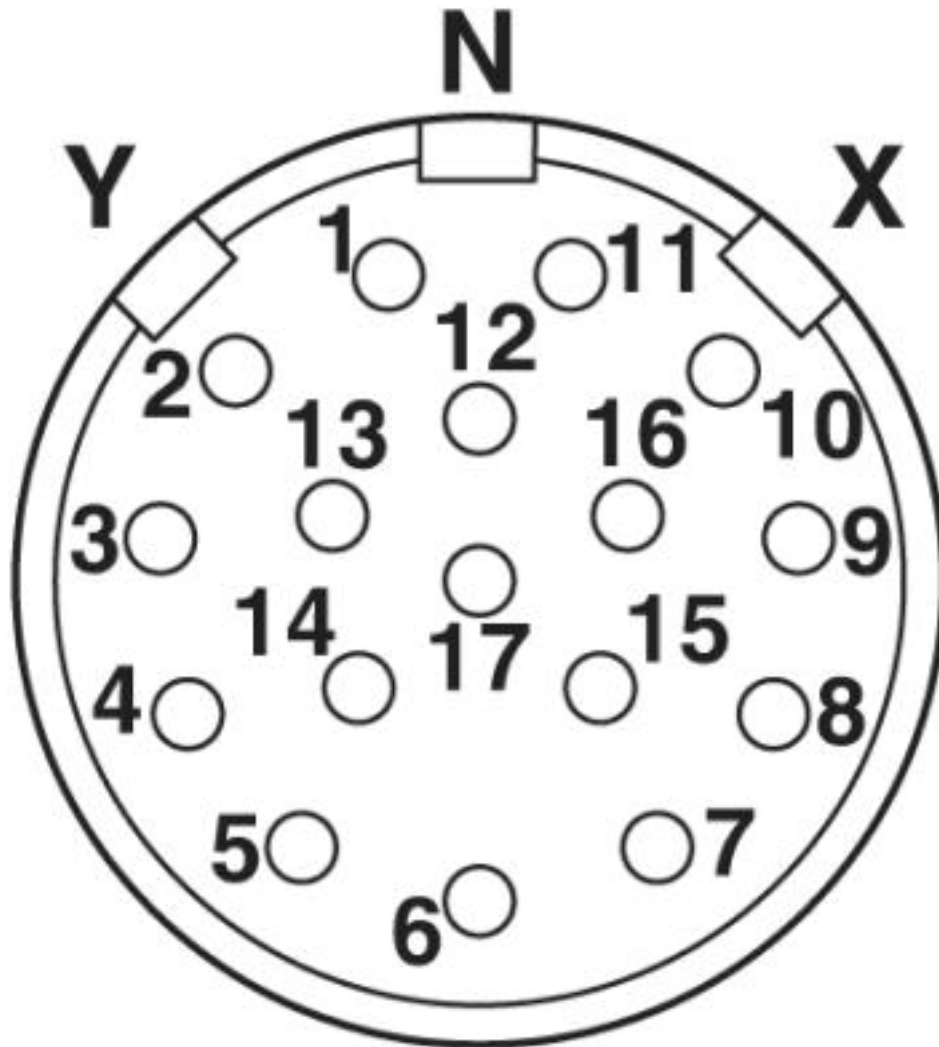
Technical data

Product type	Circular connector (cable-side)
Coding	N
Type	Device connector for rear wall
Number of positions	17
Thread	M23
Rated voltage (IEC)	150
Rated current (IEC)	8
Knurl material	Metal
Shielding	yes
Signal type	Signal
Connection method	Solder-in connection

Drawings

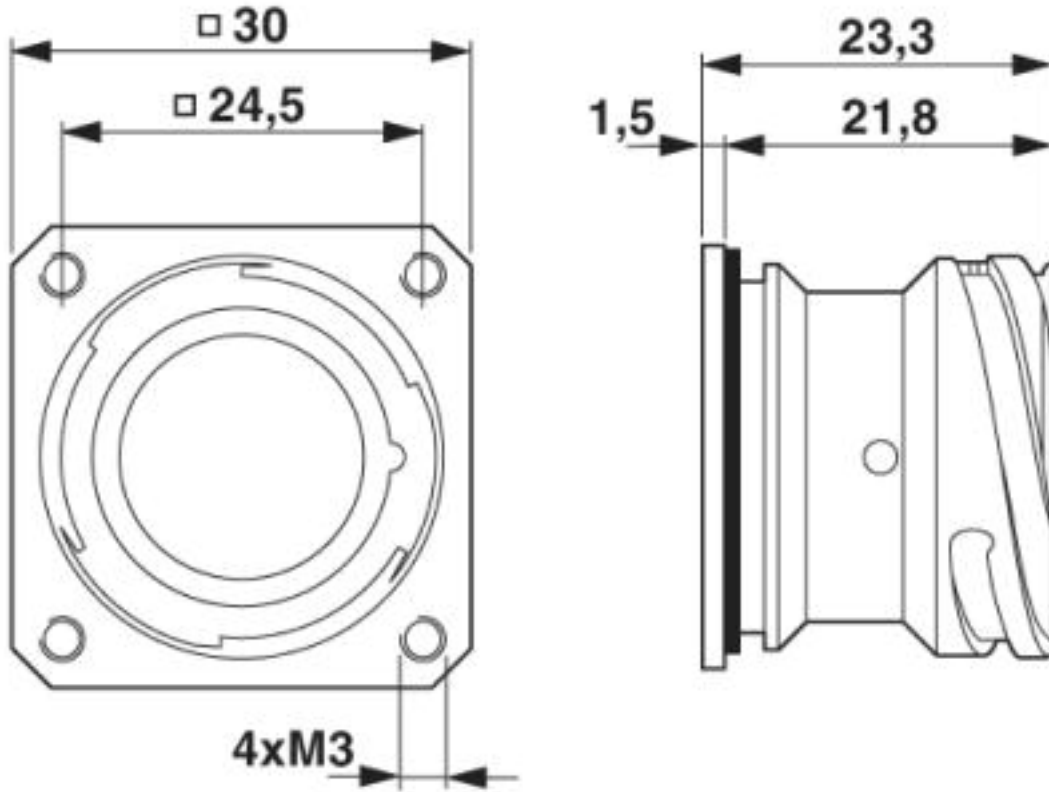
Device connector, rear mounting - TU-17S1NA24300 - 1616923

Schematic diagram



Device connector, rear mounting - TU-17S1NA24300 - 1616923

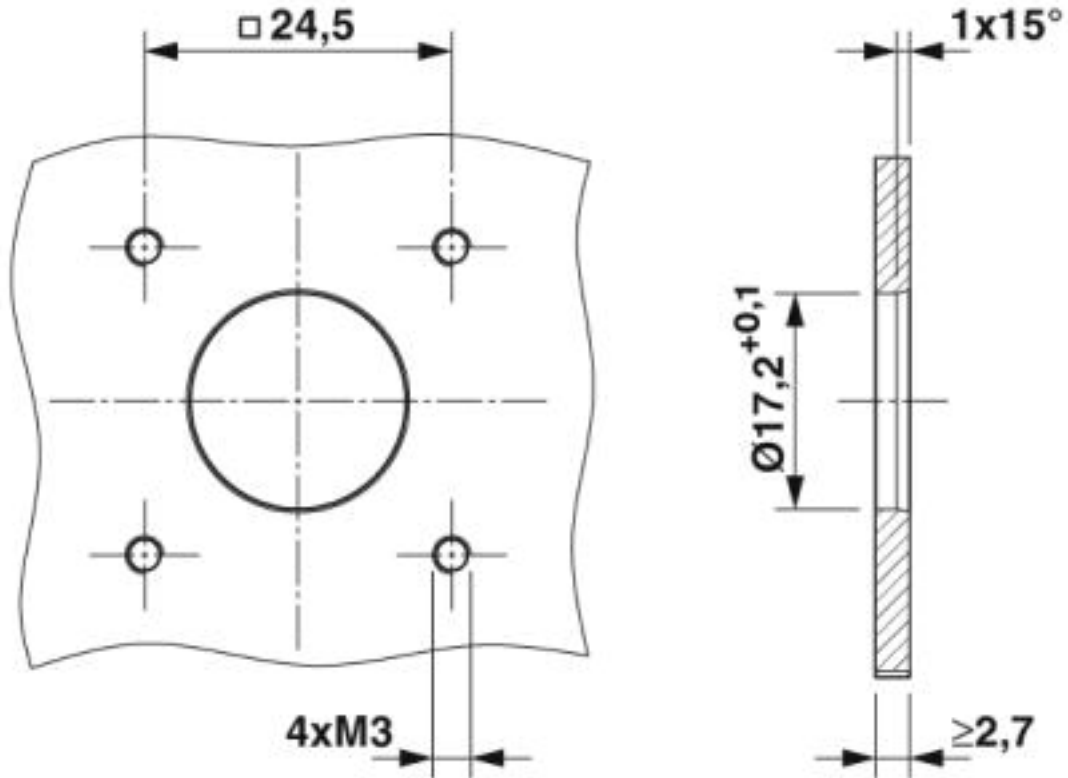
Dimensional drawing



Dimensional drawing

Device connector, rear mounting - TU-17S1NA24300 - 1616923

Dimensional drawing



Installation dimensions

Phoenix Contact 2019 © - all rights reserved
<http://www.phoenixcontact.com>

PHOENIX CONTACT GmbH & Co. KG
Flachsmarktstr. 8
32825 Blomberg
Germany
Tel. +49 5235 300
Fax +49 5235 3 41200
<http://www.phoenixcontact.com>