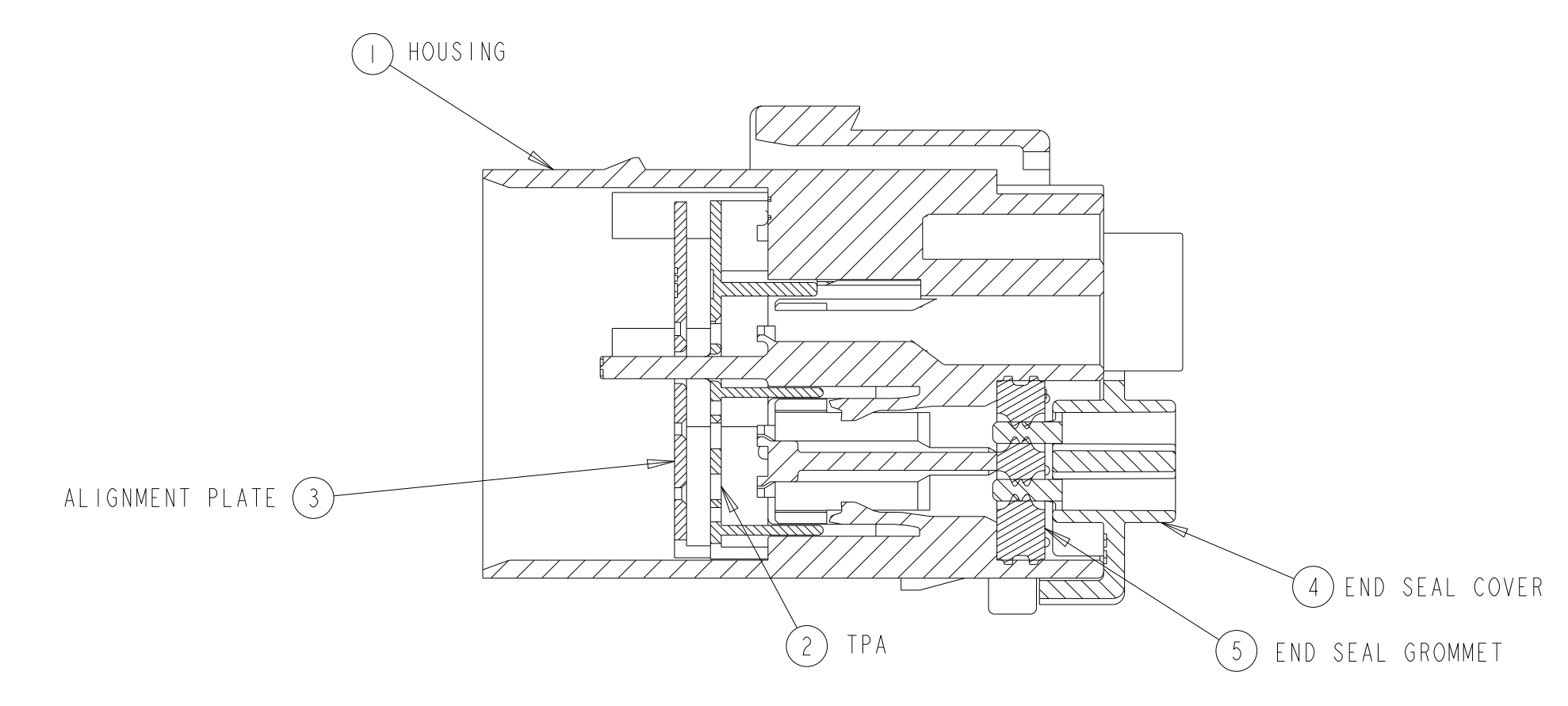
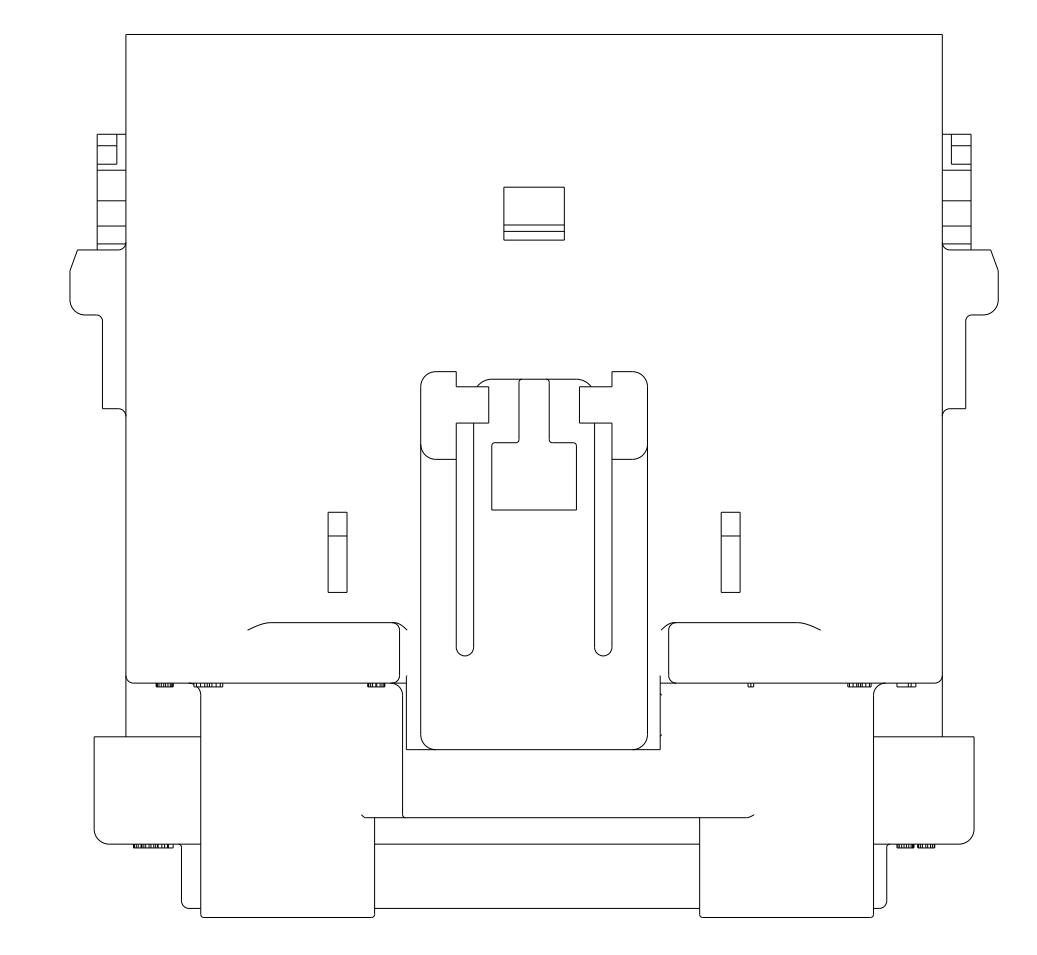
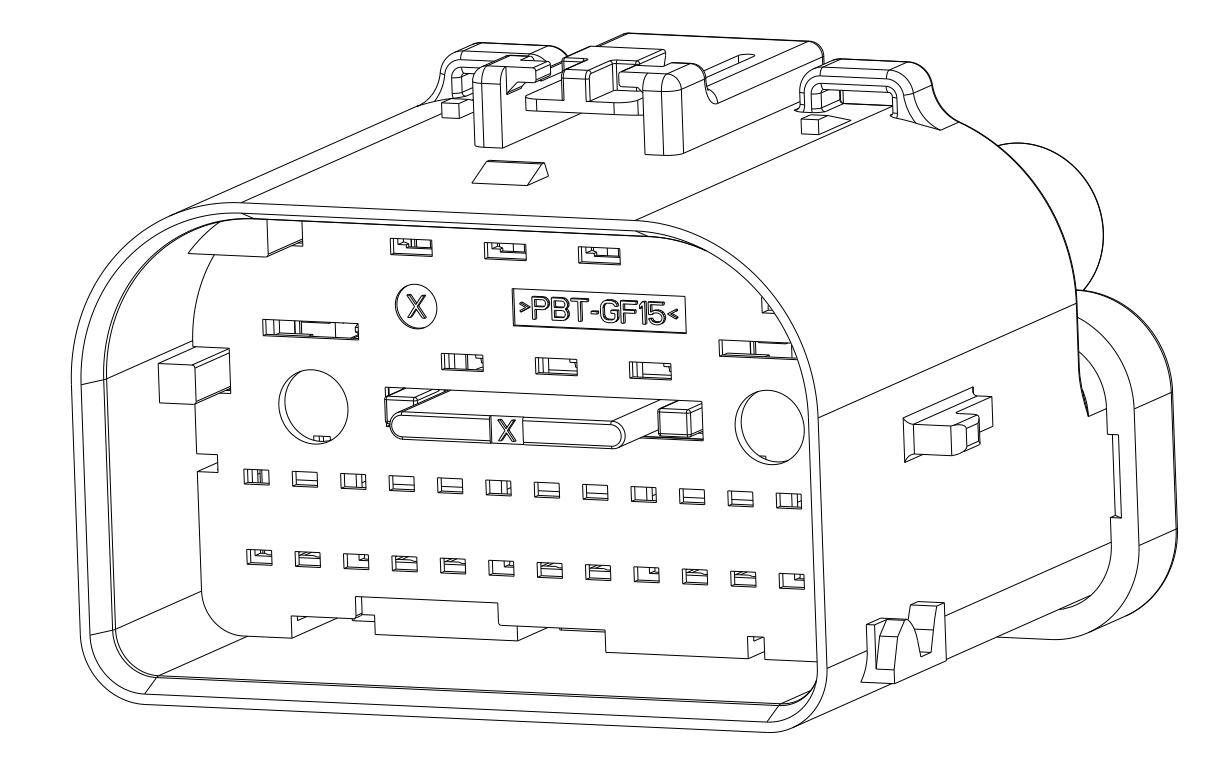


LIST OF PARTS

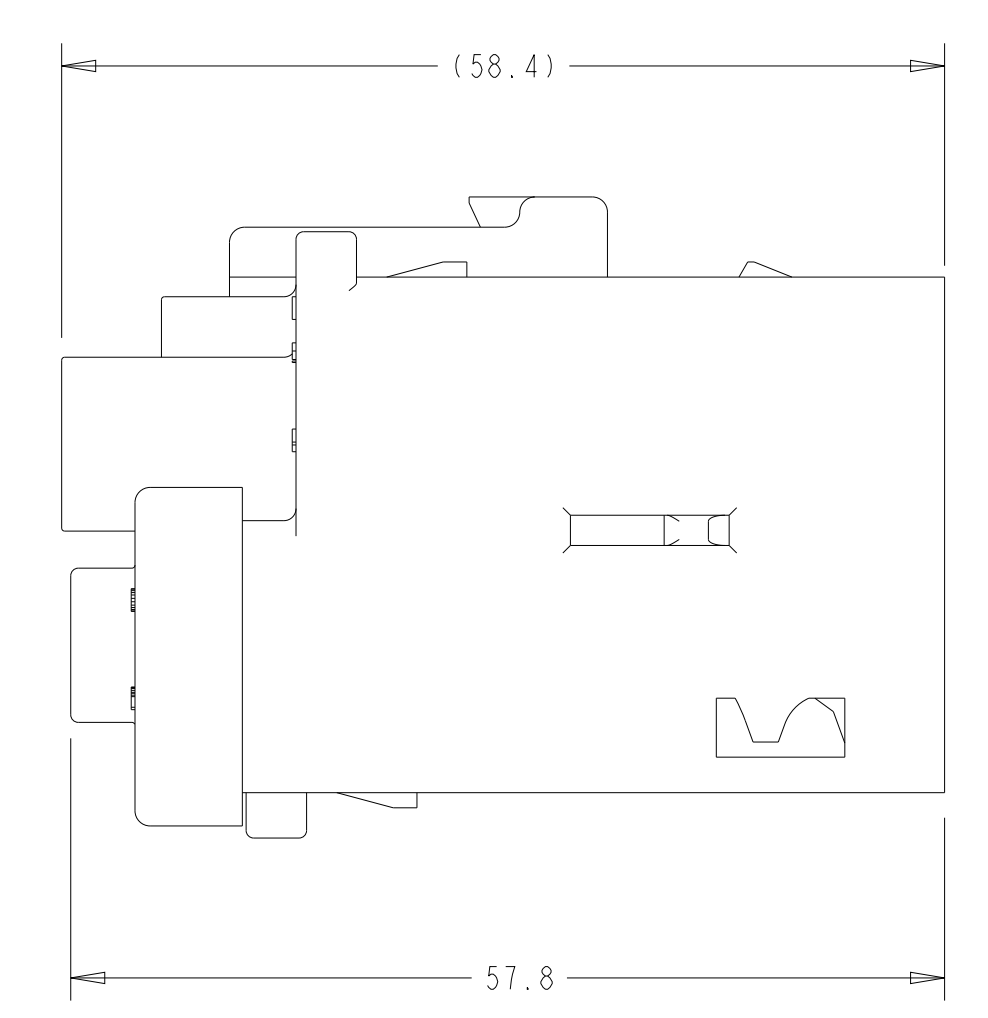
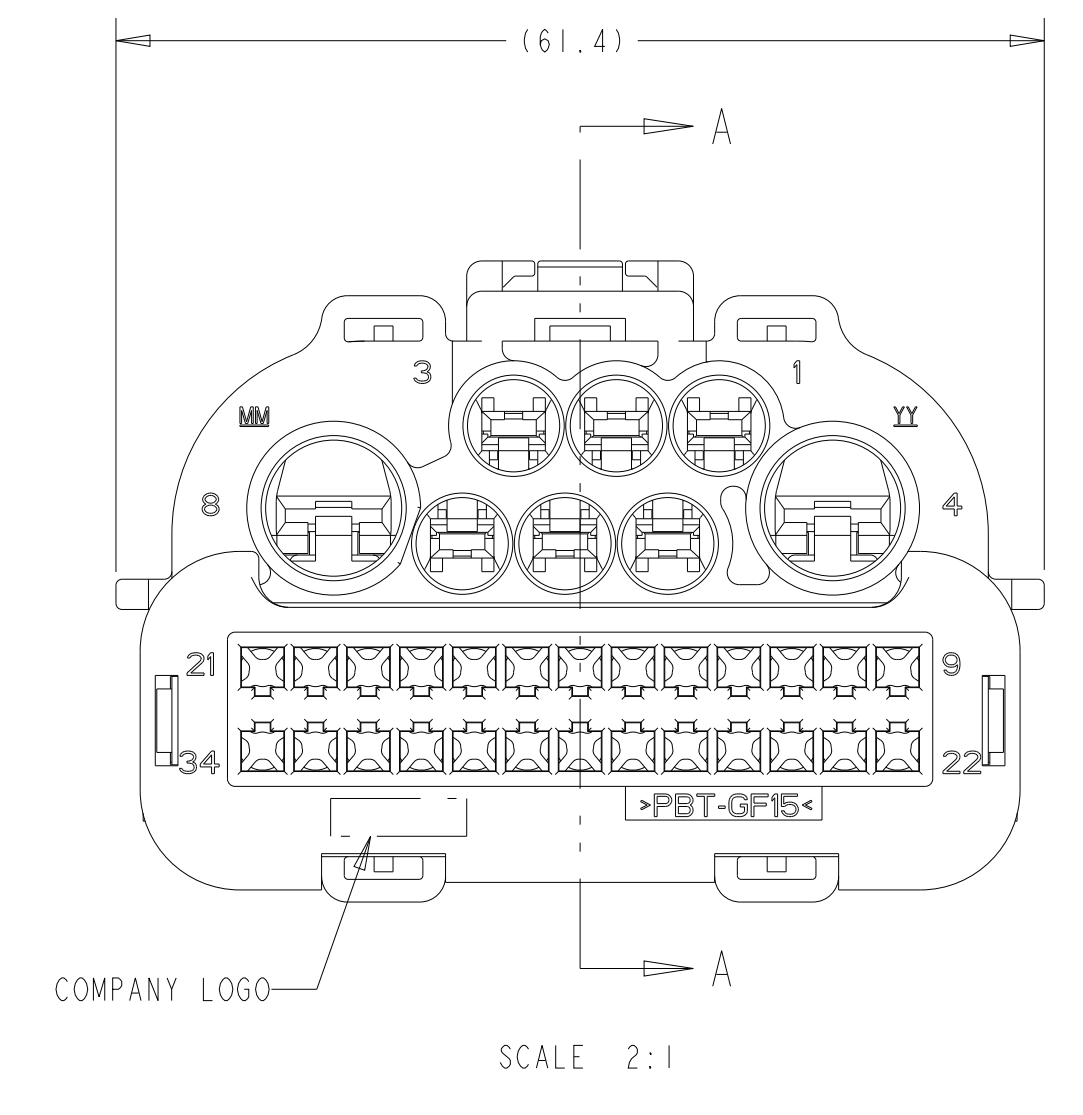
QTY. REQUIRED		ITEM	DESCRIPTION	COLOR	SUPPLIER PART NUMBER	MATERIAL SPECIFICATION	RECYCLING CODE	WEIGHT (GRAM)
INDEX C	INDEX B							
-	-	1	HOUSING, KEYING OPTION 'A'	BLACK	0-1587054-1	30% GF PBT	>PBT-GF30<	49.3g
-	-	1	HOUSING, KEYING OPTION 'B'	GRAY	0-1587054-2	30% GF PBT	>PBT-GF30<	49.3g
1	-	1	HOUSING, KEYING OPTION 'C'	NATURAL	0-1587054-3	30% GF PBT	>PBT-GF30<	49.3g
1	1	1	TPA	RED	0-1587055-1	15% GF PBT	>PBT-GF15<	3.1g
1	1	1	ALIGNMENT PLATE	NATURAL	0-1587056-1	15% GF PBT	>PBT-GF15<	2.2g
1	1	1	END SEAL COVER	BLACK	0-1587057-1	15% GF PBT	>PBT-GF15<	6.3g
1	1	1	END SEAL COVER	BLACK	0-1587057-3	15% GF PBT	>PBT-GF15<	6.1g
1	1	1	END SEAL GROMMET	LT GREEN	0-1587058-1	SILICON	>IMO<	2.7g

REVISIONS					
#	DATE	DESCRIPTION	DATE	BY	APPD
G34	17DEC2019	REVISED PER ECO-19-019125	17DEC2019	CN	HC
G35	14SEP2020	REVISED PER ECO-20-012737	14SEP2020	AP	GR
G36	28NOV2020	REVISED PER ECO-20-016542	28NOV2020	CN	HC
G37	16NOV2021	REVISED PER ECN-21-124943	16NOV2021	CN	HN

- PART MUST CONFORM TO THE USCAR-2 SPECIFICATION, DATED 07/DEC/00 (REVISION 3).
 - 0.2mm MAXIMUM RADIUS PERMISSIBLE ON EDGES AND FILLETS SHOWN AS SHARP FOR PLASTIC PARTS.
 - PRODUCTION DATE CODE (YYDD) AND ASSEMBLY PART NO. (LAST 3 DIGITS OF FORD/JLR PART NUMBER ACCEPTABLE) MUST BE LEGIBLE AND PERMANENTLY APPLIED WHEREVER PACKAGE SIZE PERMITS OR OTHER AGREEMENTS ARE MADE.
 - MATES WITH ASSEMBLY SHOWN ON DRAWING 1587041.
- ⚠ SEE TE CONNECTIVITY (TE) INSTRUCTION SHEET 408-8911 FOR PROPER POSITIONING OF TPA AND TE INSTRUCTION SHEET 408-8832 FOR APPLICATION USE OF CONNECTOR SYSTEM.
- ⚠ OBSOLETE PART
- ⚠ END SEAL COVER "ALL OPEN" IS PERMISSIBLE ONLY IN THE FOLLOWING ASSEMBLY NUMBERS: 1587042-1, 1587042-2 AND 1587042-3.

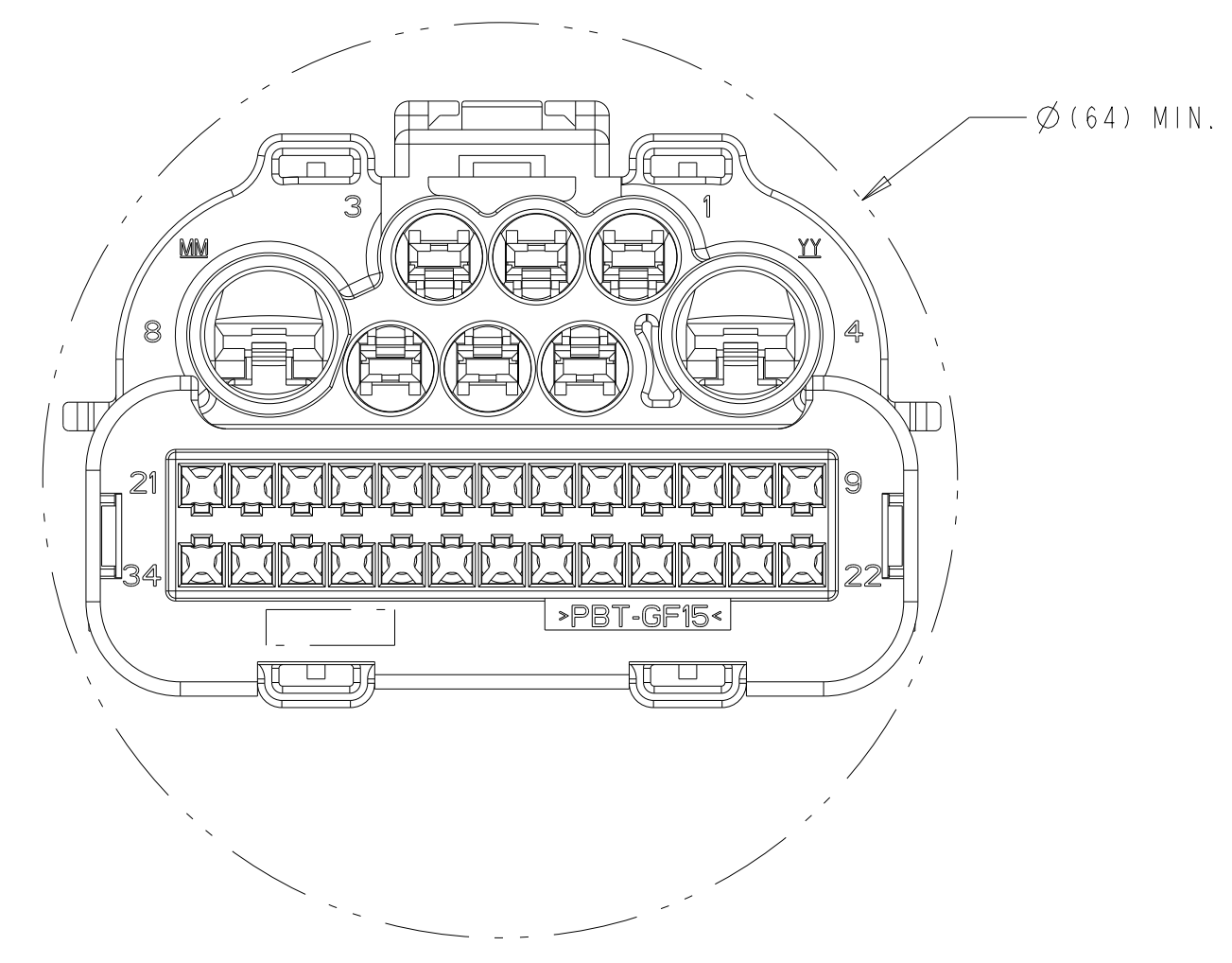


SECTION A-A
TPA AND ALIGNMENT PLATE
IN PRE-SEATED POSITION

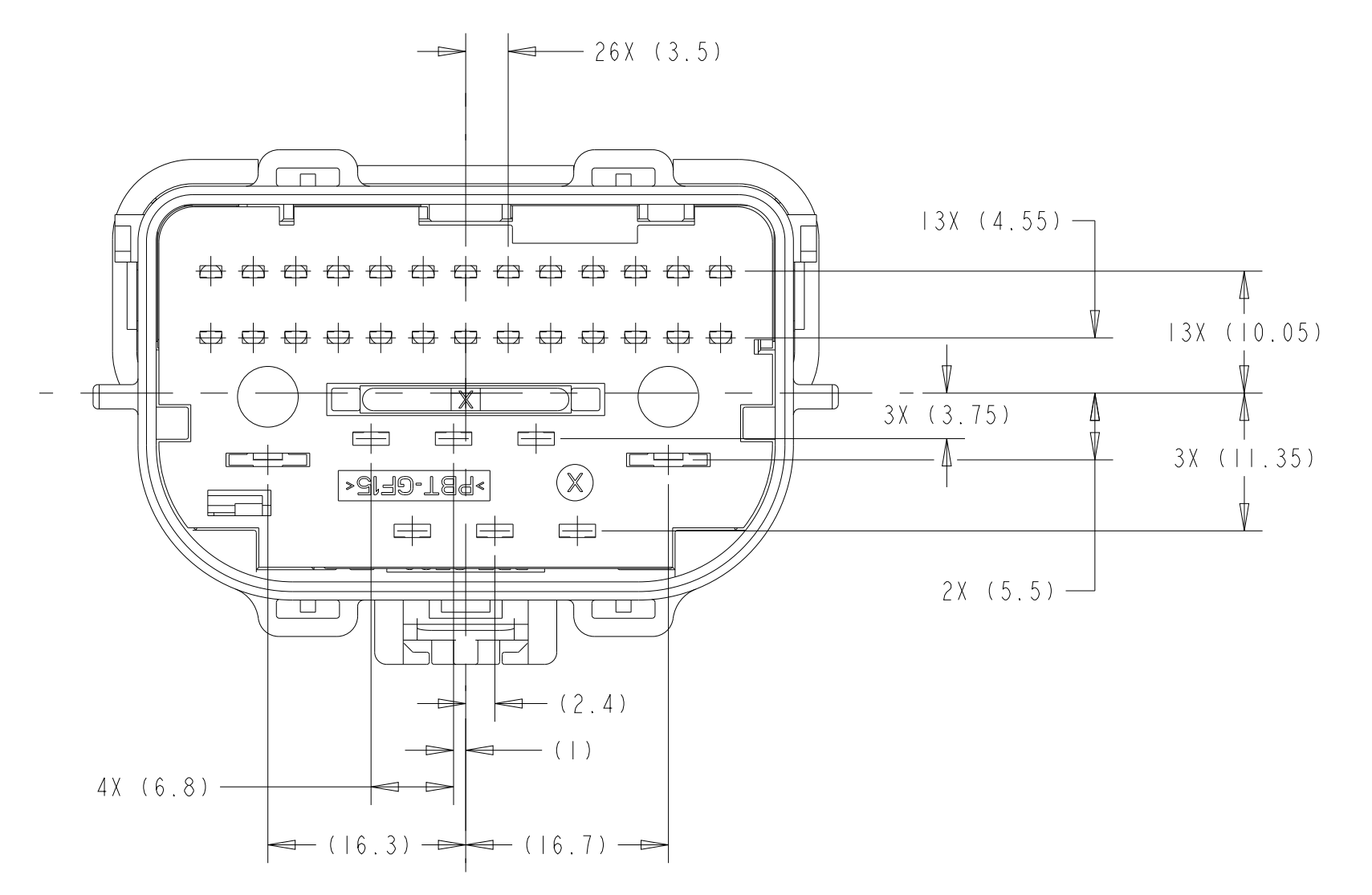
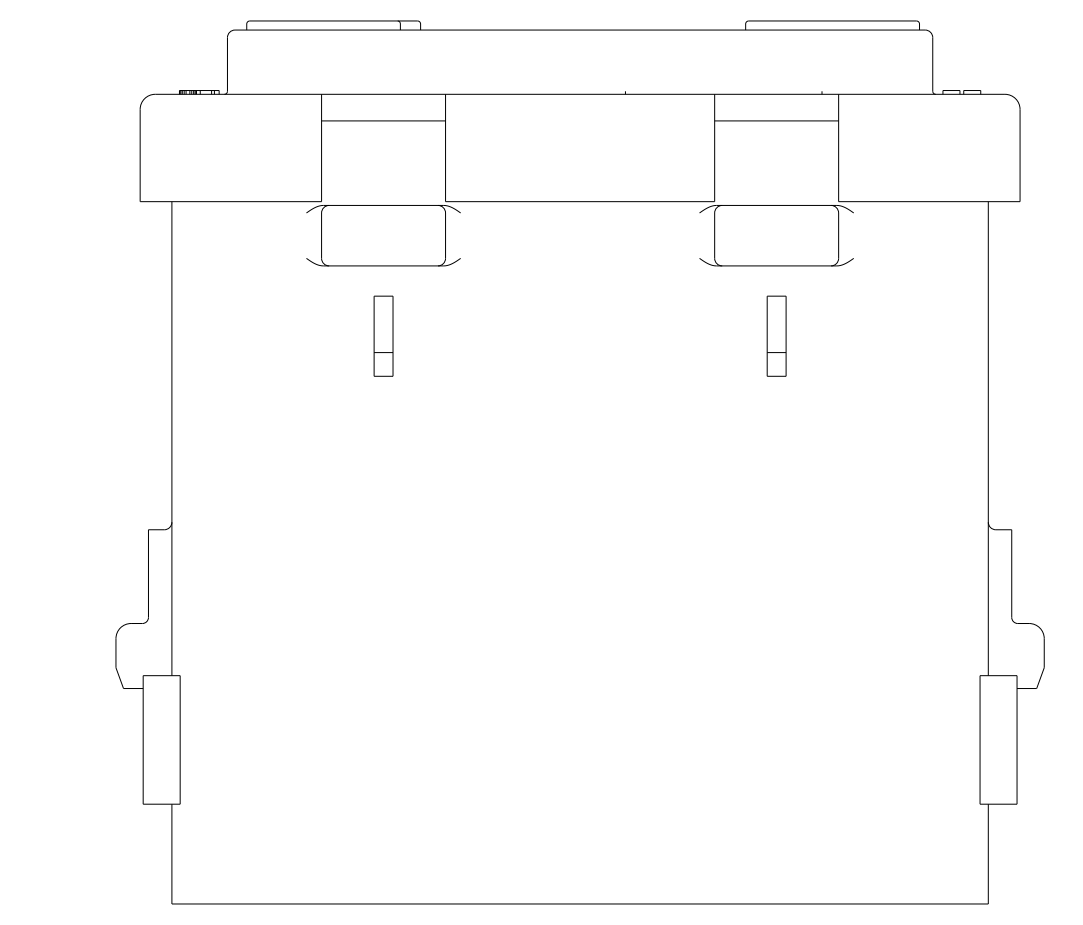


APPLICABLE COMPONENTS (FOR REFERENCE ONLY)				APPLICABLE WIRE SIZES (FOR REFERENCE ONLY)†	COMPONENT MATING PART NUMBER
DESCRIPTION	COLOR/PLATING	SUPPLIER	SUPPLIER PART NUMBER		
TERMINAL - MALE 1.5mm	TIN	MOLEX	33000-0002	16-20 AWG OR METRIC EQUIVALENT	33012-0002
TERMINAL - MALE 2.8mm	TIN	TYCO	1326031-2	20 AWG OR METRIC EQUIVALENT	1326032-2
TERMINAL - MALE 2.8mm	TIN	TYCO	1326031-3	18 AWG OR METRIC EQUIVALENT	1326032-3
TERMINAL - MALE 2.8mm	TIN	TYCO	1326031-4	16 AWG OR METRIC EQUIVALENT	1326032-4
TERMINAL - MALE 2.8mm	TIN	TYCO	1326031-5	14 AWG OR METRIC EQUIVALENT	1326032-5
TERMINAL - MALE 2.8mm	TIN	TYCO	1-1326031-1	12 AWG OR METRIC EQUIVALENT	1326032-6
CABLE SEAL - 2.8mm	GREEN	YAZAKI	7158-3111-60	1.2-1.9mm WIRE O.D.	N/A
CABLE SEAL - 2.8mm	YELLOW	YAZAKI	7158-3112-70	1.8-2.3mm WIRE O.D.	N/A
CABLE SEAL - 2.8mm	WHITE	YAZAKI	7158-3113-40	2.1-3.0mm WIRE O.D.	N/A
CABLE SEAL - 2.8mm	LT GRAY	YAZAKI	7158-3110-40	3.1-3.3mm WIRE O.D.	N/A
TERMINAL - MALE 6.3mm	TIN	YAZAKI	7114-4140-02	20-16 AWG OR METRIC EQUIVALENT	7116-4140-02
TERMINAL - MALE 6.3mm	TIN	YAZAKI	7114-4141-02	14 AWG OR METRIC EQUIVALENT	7116-4141-02
CABLE SEAL - 6.3mm	RED	YAZAKI	7158-3081-50	1.4-2.3mm WIRE O.D.	N/A
CABLE SEAL - 6.3mm	BLUE	YAZAKI	7158-3082-90	2.1-3.0mm WIRE O.D.	N/A
CABLE SEAL - 6.3mm	BLACK	YAZAKI	7158-3083	3.0-3.8mm WIRE O.D.	N/A

NOTE: SEE SUPPLIER DRAWINGS FOR LATEST INFORMATION AND CRIMP SPECIFICATIONS.



SCALE: 2:1
MIN. FEED THRU CONDITION
WITH 1mm CLEARANCE ALL AROUND



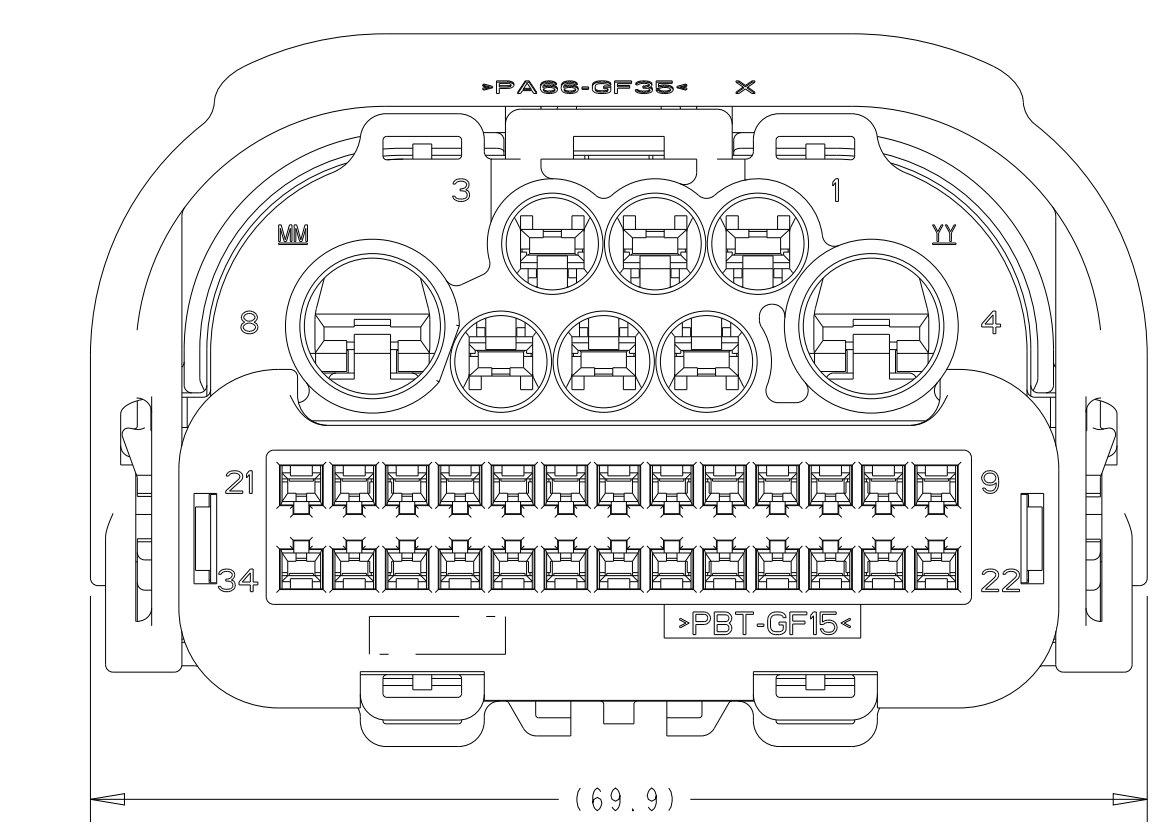
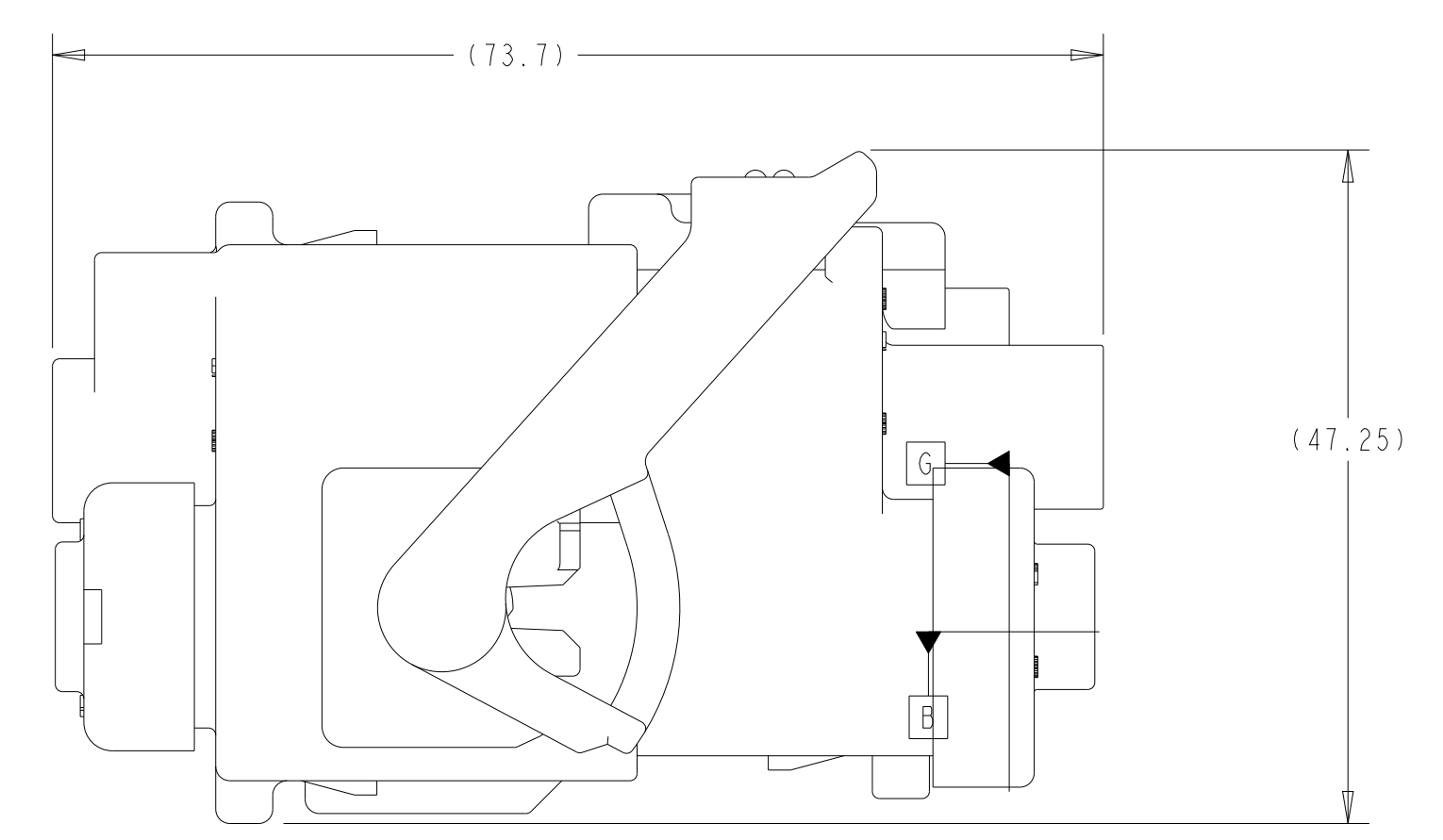
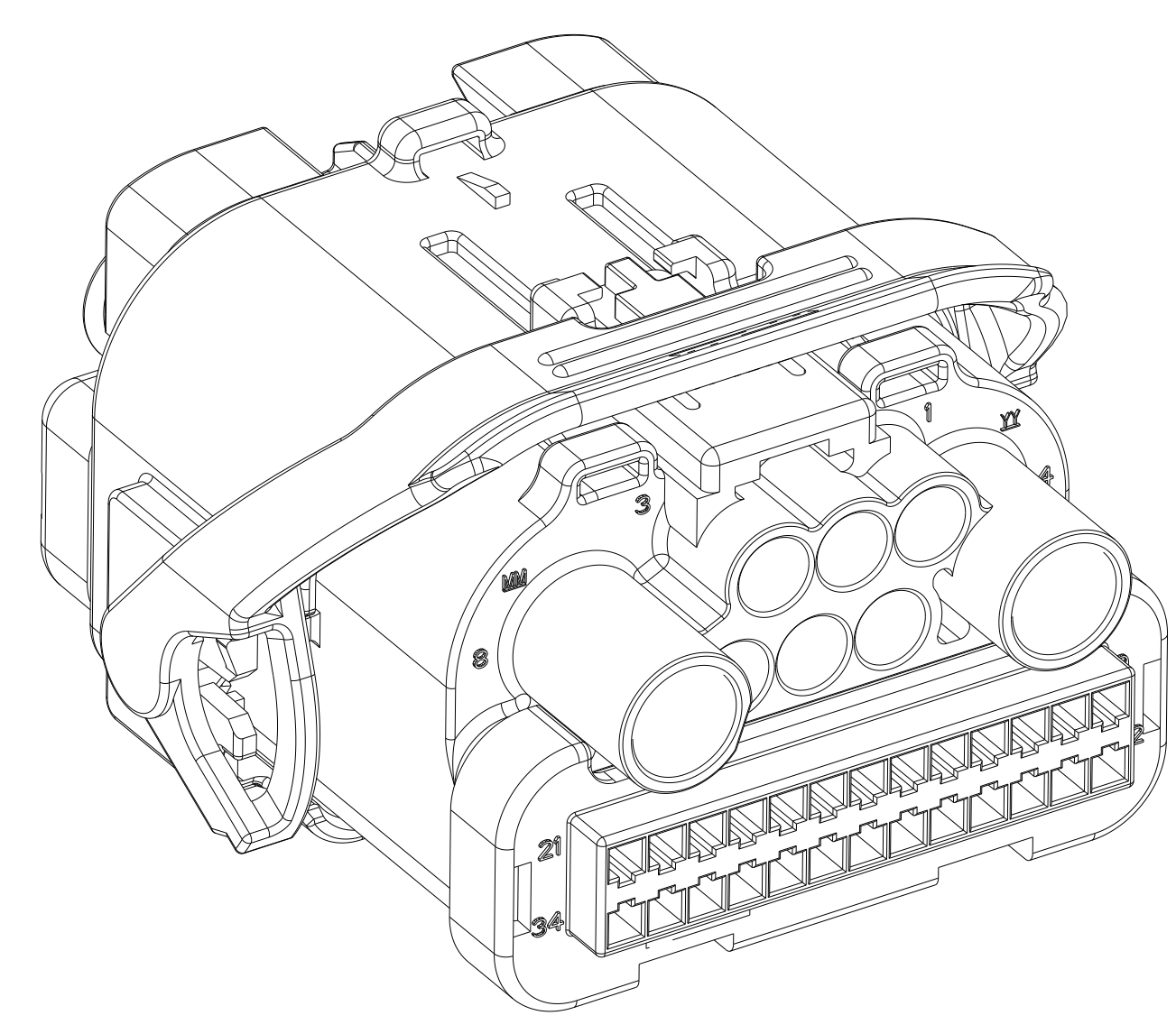
THIS DRAWING IS A CONTROLLED DOCUMENT. DATE: 15APR2003. DRAWN BY: M. SOOCH. CHECKED BY: J. DENLITE. APPROVED BY: J. DENLITE. DIMENSIONS: UNLESS OTHERWISE SPECIFIED. DIMENSIONS: UNLESS OTHERWISE SPECIFIED. MATERIAL: -. FINISH: -. WEIGHT: -. ANGLE: -. CUSTOMER DRAWING. SCALE: 7:1. SHEET 1 OF 4. REV: G37.

STE TE Connectivity
CAP ASSEMBLY, 34 WAY, SEALED, HYBRID, MALE

REVISIONS				
REV	DATE	DESCRIPTION	BY	APPD
-	-	SEE SHEET 1	-	-

HARNESS KEYING OPTIONS SCALE 2X

INDEX A	
INDEX B	
INDEX C	



MATED ASSEMBLY
SCALE 2:1

THIS DRAWING IS A CONTROLLED DOCUMENT.		DATE: 15APR2003	BY: N. SOOCH	TE Connectivity
DIMENSIONS: UNLESS OTHERWISE SPECIFIED, DIMENSIONS ARE IN MILLIMETERS.		CHK: T. DEWILLIE	APPD: T. DEWILLIE	NAME: CAP ASSEMBLY, 34 WAY, SEALED, HYBRID, MALE
MATERIAL: -		FINISH: -	WEIGHT: -	SIZE: A0
CUSTOMER DRAWING		SCALE: 7:1	SHEET: 2 OF 4	REV: 637

