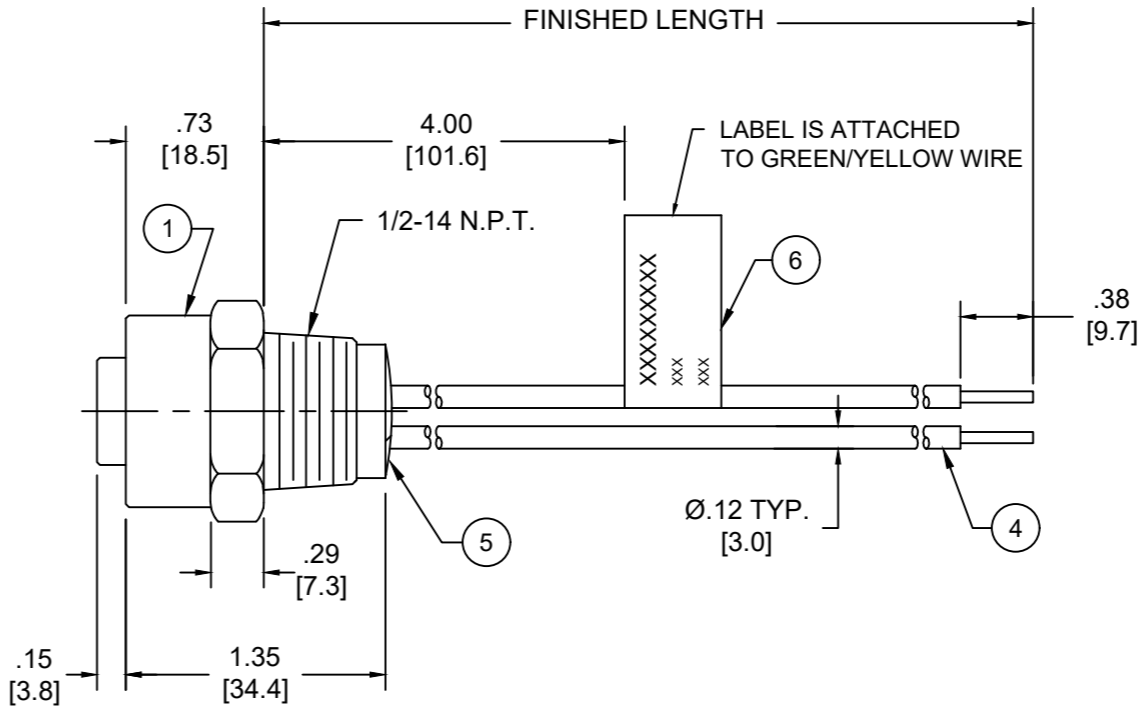
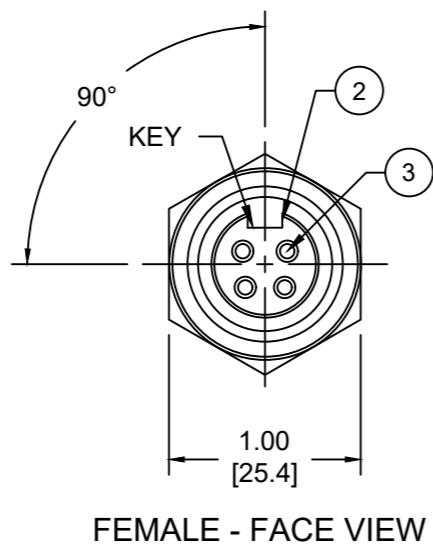
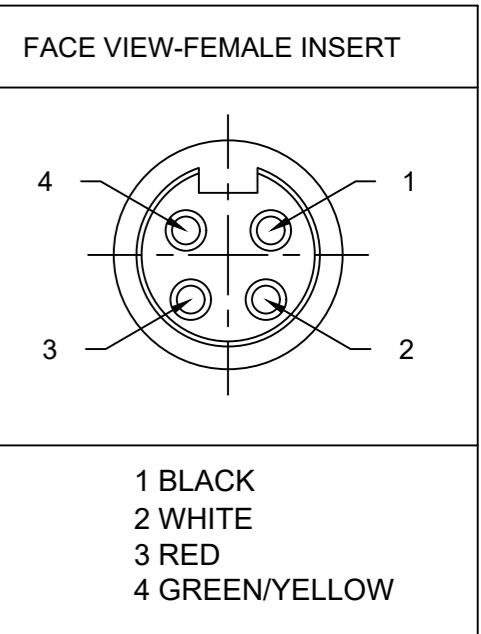


PART NO	ENGINEERING NO.	FINISHED LENGTH
1300130291	1R4000A20M010	1M [3 FT 3 IN]
1300130293	1R4000A20M015	1.5M [4 FT 11 IN]
1300130294	1R4000A20M020	2M [6 FT 7 IN]
1300130295	1R4000A20M030	3M [9 FT 10 IN]
1300130296	1R4000A20M050	5M [16 FT 5 IN]
1300130287	1R4000A20F020	2 FT [ 0.6M]

PART NO. MATRIX  
1R4000A20M010

FINISHED LENGTH:  
A120= 12 IN.  
F020= 2 FEET  
M005= 0.5 METER  
M010= 1 METER  
M100= 10 METER

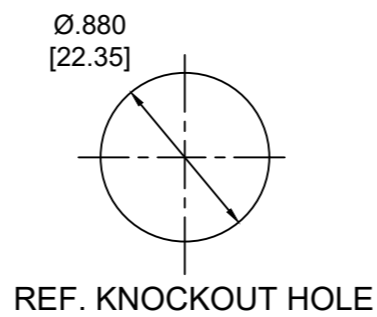


- NOTES:
- MATERIAL: AS NOTED
  - FINISH: AS NOTED
  - ELECTRICAL:  
VOLTAGE: 483V PER IEC60664  
600V PER UL2238  
CURRENT: 10A
  - TEMP RATING: -20°TO +105°C
  - PROTECTION: IP67 (WHEN MATED)
  - COUPLING THREAD: 7/8-16UN
  - CSA CERTIFIED FILE: LR6837
  - ALL DIMENSIONS ARE FOR REFERENCE  
UNLESS TOLERANCED OR NOTED OTHERWISE

CABLE LENGTH TOLERANCES

<.3M [1FT]:	+19mm-0 [+ .75in-0]
.3 - .9M [1 - 3FT]:	+44.5mm-0 [+1.75in-0]
.9 - 1.8M [3 - 6FT]:	+55.6mm-0 [+2.19in-0]
1.8 - 3.7M [6 - 12FT]:	+88.9mm-0 [+3.50in-0]
3.7 - 7.3M [12 - 24FT]:	+165.1mm-0 [+6.50in-0]
7.3-14.6M [24 - 48FT]:	+317.5mm-0 [+12.50in-0]
14.6 - 30.5M [48-100FT]:	+622.3mm-0 [+24.50in-0]
OVER 30M [100FT]	+2% OF FINISHED LENGTH

ITEM	DESCRIPTION	MATERIAL	FINISH
6	FLAG LABEL	VINYL	BLACK/YELLOW
5	POTTING MATERIAL	EPOXY	
4	WIRE, 16 AWG (UL1015)	PVC INSULATION	SEE FACE VIEW
3	CONTACT SOCKET	COPPER ALLOY	GOLD PLATED
2	FEMALE INSERT	TPE	YELLOW
1	RECEPTACLE SHELL	ZINC DIE-CAST	NICKEL PLATED



FUNCTIONAL SYMBOLS	THIS DRAWING CONTAINS INFORMATION THAT IS PROPRIETARY TO MOLEX ELECTRONIC TECHNOLOGIES, LLC AND SHOULD NOT BE USED WITHOUT WRITTEN PERMISSION		CURRENT REV DESC: INITIAL RELEASE	
	DIMENSION UNITS	SCALE		
DIVISIONAL SYMBOLS	INCH/MM	NTS		
	GENERAL TOLERANCES (UNLESS SPECIFIED)			
		mm	INCH	
	4 PLACES	±----	±----	
	3 PLACES	±----	±----	
	2 PLACES	±----	±----	
	1 PLACE	±----	±----	
	0 PLACES	±----	±----	
	ANGULAR TOL ± ---- °			
DRAFT WHERE APPLICABLE MUST REMAIN WITHIN DIMENSIONS		THIRD ANGLE PROJECTION	DRAWING	SERIES
			B-SIZE	130013
		EC NO: 673395		
		DRWN: RSTONE		2021/08/11
		CHK'D: CCHRSTKA		2021/08/11
		APPR: BWOODMAN		2021/08/18
		INITIAL REVISION:		
		DRWN: RSTONE		2021/08/11
		APPR: BWOODMAN		2021/08/18
		DOCUMENT NUMBER	DOC TYPE	DOC PART
		1300130291	PSD	000
		CUSTOMER	SHEET NUMBER	
		GENERAL MARKET	1 OF 1	