

DWG. NO. SD-68145-005

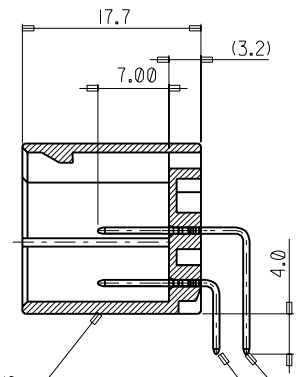
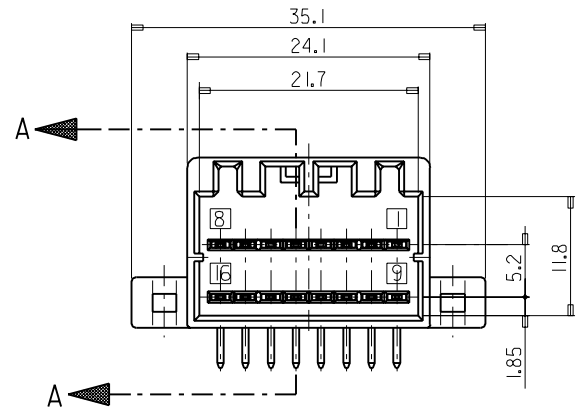
SIMILAR ITEM

PROJECT NO.

C

B

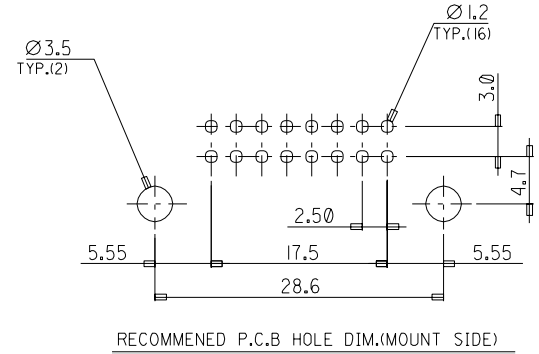
DO NOT SCALE DRAWING  
DIMENSION IN METRIC



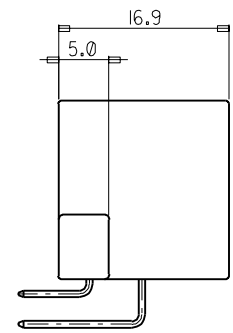
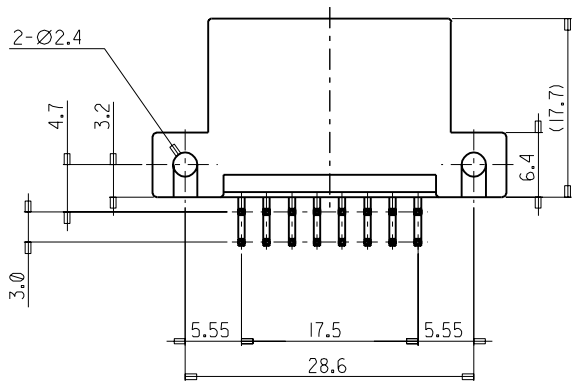
HEADER HOUSING  
(68145-1685/1686)

SECTION A-A

HEADER PIN(L)  
(35483-9102)  
HEADER PIN(S)  
(35483-9202)



RECOMMENED P.C.B HOLE DIM.(MOUNT SIDE)



NOTES

- 1.APPLICABLE FEMALE HOUSING : 35563-1615
- 2.MATERIAL:HOUSING-POLYESTER (PBT),G/F 15%  
TERMINAL-BRASS, FINISH-TIN PLATING

NO.	PART NO.	PART NAME	MATERIAL	COLOR	REMARK
1	68145-1625	.040 W/B 16P HEADER ASS'Y	PBT, G/F 15%	GRAY	
2	68145-1626	.040 W/B 16P HEADER ASS'Y	PBT, G/F 15%	WHITE	

NEW RELEASED EC NO. KOR2002-0072 DRWN: B.C.YOON '02.2.6 CHK: Y.SIK.KIM APPR: C.W.LEE	QUALITY SYMBOLS MAJOR =0 CRITICAL C=0	GENERAL TOLERANCES: (UNLESS SPECIFIED)		SCALE 2:1	DESIGN UNITS <input checked="" type="checkbox"/> mm <input type="checkbox"/> INCH	THIRD ANGLE PROJECTION	DIMENSIONS: <input type="checkbox"/> mm <input type="checkbox"/> INCH <input checked="" type="checkbox"/> mm ONLY	SHT	REV	
		4 PLACES	±0.	±.	DRAWN BY & DATE Y.SIK.KIM 99.04.29	TITLE: 040 W/B 16P HEADER ASS'Y(R/A)				
A	DESCRIPTION	3 PLACES	±0.	±.	CHECKED BY & DATE B.K.CHOI 99.04.29	MOLEX MOLEX INCORPORATED				
		2 PLACES	±0.20	±.	APPROVED BY & DATE C.W.LEE 99.04.30	CAD FILENAME s6814525.dgn	MATERIAL NO. 681451625	DRAWING NO. SD-68145-005	SHEET NO. 1 OF 1	
	REV	DRAFT WHERE APPLICABLE MUST REMAIN WITHIN DIMENSIONS			THIS DRAWING CONTAINS INFORMATION THAT IS PROPRIETARY TO MOLEX INCORPORATED AND SHOULD NOT BE USED WITHOUT WRITTEN PERMISSION.					SIZE B