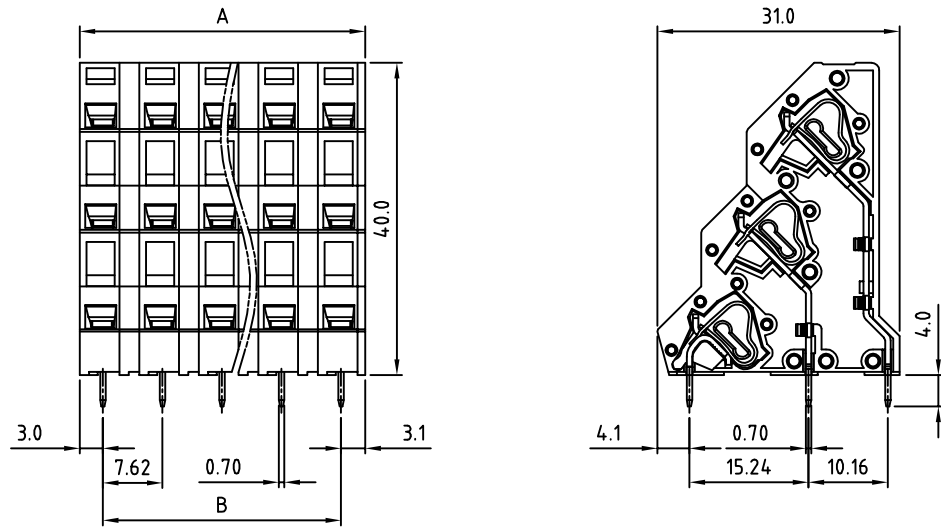
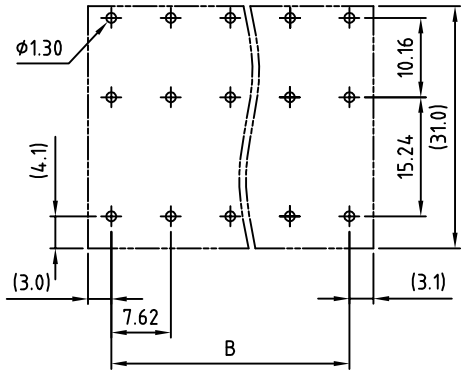


SIGN	DATE	DESCRIPTION	APPROVER
			Tony

THIS IS CAD DRAWING, DO NOT REVISE MANUALLY!!!



- Material:
- Terminal body
  - (Contact pin): Brass
  - Wire guard: Stainless steel
  - Surface of solder tail: Tin plated
  - Insulator(housing): Thermoplastic (UL94V-0)
- Electrical: cULus
- Voltage rating: 300V
  - Current rating: 10A
  - Wire range:
    - Solid wire(AWG): 12-28
    - Stranded wire(AWG): 12-28
  - Wire strip length: 6-7mm
  - Withstanding Voltage: 1.6KV
  - Operating temperature: -30°C to +105°C
  - Soldering temperature: 250°C±10°C/5 Sec
- RoHS Compliant



PCB Layout

PART NUMBER:

**OSTHRXX5080**

- No. of Poles
- 06: 3x2 POLES
  - 09: 3x3 POLES
  - 45: 3x15POLES
  - 48: 3x16 POLES

- COLOR
- 0: BLACK
  - 5: Green
  - 6: Blue
  - 8: Grey (Standard)

THESE DRAWINGS AND SPECIFICATIONS ARE THE PROPERTY OF ON-SHORE TECHNOLOGY, INC. AND SHALL NOT BE REPRODUCED, COPIED OR USED IN ANY MANNER WITHOUT THE PRIOR WRITTEN CONSENT OF ON-SHORE TECHNOLOGY, INC.

POLE	2	3	4	5	6	7	8	
A	13.70	21.32	28.94	36.56	44.18	51.80	59.42	
B	7.62	15.24	22.86	30.48	38.10	45.72	53.34	
Tol.	±0.10			±0.15				
POLE	9	10	11	12	13	14	15	16
A	67.04	74.66	82.28	89.90	97.52	105.14	112.76	120.38
B	60.96	68.58	76.20	83.82	91.44	99.06	106.68	114.30
Tol.	±0.20				±0.30			

# ON-SHORE TECHNOLOGY, INC.

TITLE		OSTHR 7.62mm Series (Solder pins in line)					
PART NO.	OSTHRXX5080			DWG NO.	OSTHRXX5080.DWG		
APPROVED	CHECKED	DESIGNED	DRAWN	CUST NO.			
		Tony 2007.11.19	Tony 2007.11.19				
					UNIT: mm	Tolerance	
					SCALE: NONE	X.	±0.50
				SHEET: 01/01	REV.: C	X.X	±0.30
						X.XX	±0.10
						X°	±1°