

Keywords: MAX2165,DVB-H,Portable Terrestrial,Digital Video Broadcast,DVB-T

## APPLICATION NOTE 3847

# DVB-H Portable Terrestrial Tuner with the MAX2165

Jun 23, 2006

*Abstract: Digital Video Broadcast—Handheld (DVB-H) covers small, battery-powered, handheld convergence terminals with built-in cellular radio such as GSM, GPRS, or UMTS. This application note presents an overview of the MAX2165, an integrated, direct-conversion tuner IC designed to work with an OFDM demodulator. The discussion will show how the MAX2165 can be applied to a DVB-H system.*

## Introduction

The [MAX2165](#) is an integrated, direct-conversion tuner IC designed to work with an OFDM demodulator for Digital Video Broadcast—Handheld (DVB-H).<sup>1</sup> DVB-H is a specification that covers small, battery-powered, handheld convergence terminals with built-in cellular radio such as GSM, GPRS, or UMTS. These terminals have the functionality of a mobile phone and can receive IP-based services using DVB-H over DVB-T physical layer. The DVB-T antenna and the cellular antenna are both integral with the terminal.



[Click here for an overview of the wireless components used in a typical radio transceiver.](#)

This application note presents an overview of the MAX2165, showing how it can be applied to a DVB-H system. A block diagram, typical tuner specifications, channel allocation, and modulation type will all be shown.

## MAX2165 overview

The MAX2165 is a direct-conversion DVB-H tuner which covers an input frequency range of 470MHz to 780MHz. The design features an I/Q baseband signal interface and integrated lowpass filters, and thus requires no IF SAW filter. Gain control and DC-offset correction are fully digital to support time-sliced operation with minimal power-up delay. VCO locking time and close-in phase noise are minimized by use of a fractional-N PLL, which controls the fully integrated VCO. The low close-in noise floor supports lower complexity OFDM demodulator algorithms. A widely adopted interface to the baseband processor makes the MAX2165 an attractive tuner for DVB-H applications.

## DVB-H Radio Block Diagram

**Figure 1** presents a radio block diagram based on the MAX2165 and a generic baseband processor. RF from the antenna passes through the optional bandpass filter to the LNA. Gain can be adjusted digitally in 16dB steps or set by an analog gain-control voltage. Optional front-end filtering helps to customize the tuner for required blocking performance. After the LNA, the signal is filtered by an adjustable bandpass tracking filter to reduce interferers. Next, the down-converter mixer splits the signal into I and Q paths. The mixer is driven by a quadrature local oscillator, generated by a fractional-N PLL with integrated VCO. A built-in reference oscillator (with external crystal) provides the PLL's reference clock, which is also buffered on-chip and provided to the baseband processor. The I/Q signals go through adjustable lowpass filters and variable gain amplifiers which are controlled by a baseband gain-control voltage. Differential I/Q signals are then processed by baseband and application processors to be displayed or distributed to the peripherals. The baseband processor controls all the adjustable functional blocks through a secondary I<sup>2</sup>C interface. Dedicated processor outputs provide baseband/RF

gain-control voltages, as well as chip-select, standby, and shutdown control signals. An overload detector output is also provided for RF gain control.

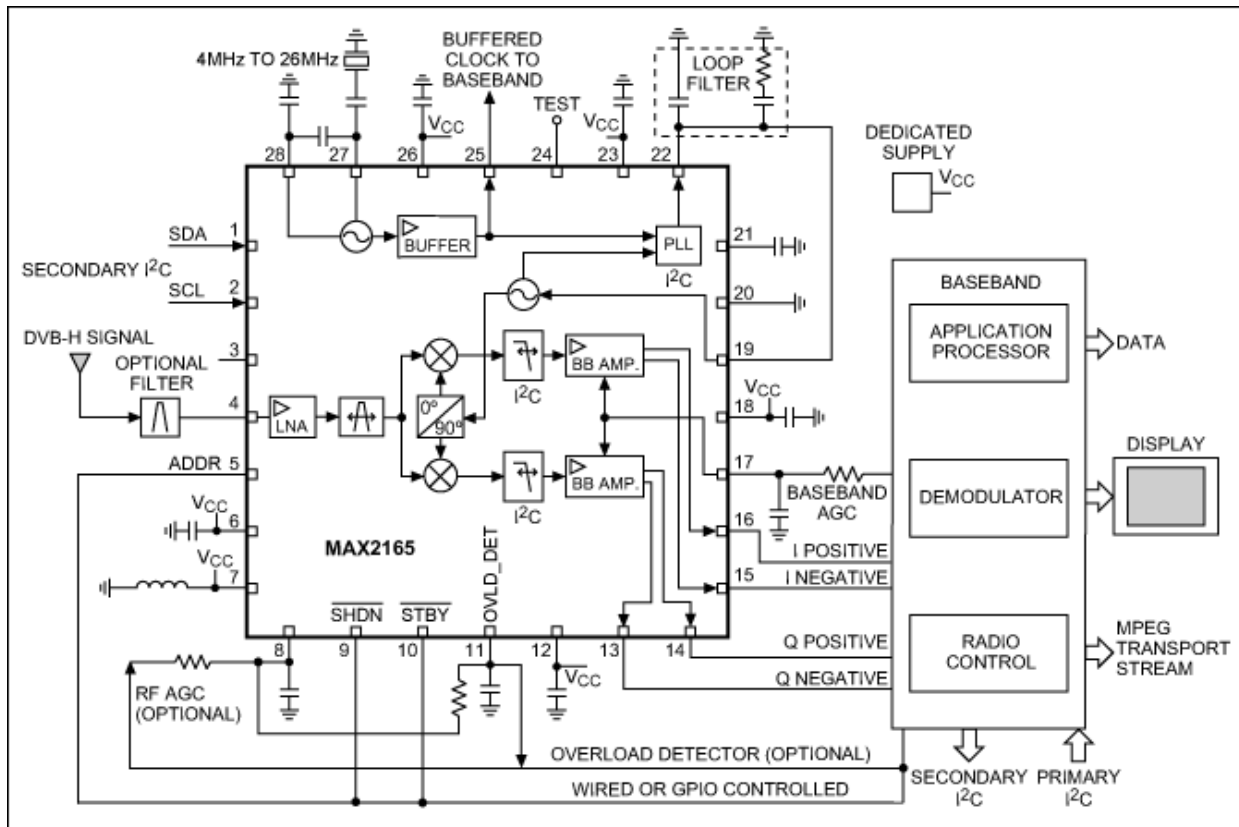


Figure 1. A radio block diagram based on the MAX2165 radio tuner IC.

## MAX2165 DVB-H tuner specifications

A DVB-H receiver will, in general, have the same RF performance as a DVB-T receiver. DVB-H uses the DVB-T transmission system as the physical layer, and adds extra error correction and time-slicing mechanisms on the link layer.<sup>2</sup>

Table 1. DVB-H Tuner Specifications\*

Parameter	Conditions	Typical
Frequency Range (MHz)		470 to 783
RF Input Impedance ( $\Omega$ )		75
Return Loss (dB)	75 $\Omega$ System Impedance	-7
Noise Figure (dB)		5
Input Power per Channel (dBm)	V <sub>OUT</sub> (DVB-T modulated) 0.5V <sub>p-p</sub>	-83
Maximum Input Power (dBm)		-30
Cellular Blocker (dBm)	Single Blocker < 4MHz bandwidth in the 830MHz ... 950MHz band	-5

\*These specifications reference EN 300 744 V1.4.1 and IEC 62216-1 for 8MHz channel bandwidth.

## Frequencies and channel bandwidths

The receiver can receive UHF bands IV and V with channel bandwidth 8MHz, 7MHz, or 6MHz. Center

frequencies are defined as:

- For countries using 8MHz channel raster:

$$f_c = 474\text{MHz} + (N - 21) \times 8\text{MHz} + \text{offset}, \text{ where:}$$
$$N = \{21, \dots, 69\} \text{ (UHF channel number)}$$

- For countries using 7MHz channel raster:

$$f_c = 529.5\text{MHz} + (N - 28) \times 7\text{MHz} + \text{offset}, \text{ where:}$$
$$N = \{28, \dots, 67\} \text{ (UHF channel number)}$$

- For countries using 6MHz channel raster:

$$f_c = 473\text{MHz} + (N - 14) \times 6\text{MHz} + \text{offset}, \text{ where:}$$
$$N = \{14, \dots, 83\} \text{ (UHF channel number)}$$

In some countries offsets may be used:

Preferred offset is  $\pm 1/6\text{MHz}$ , where  $n = \{1, 2, \dots\}$  (**Figure 2**):

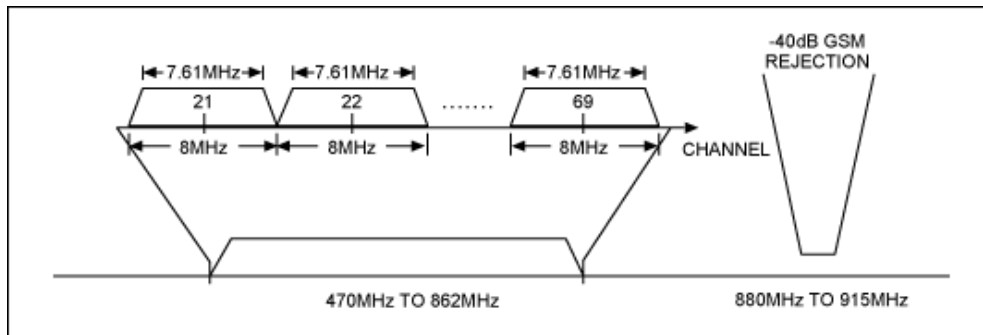


Figure 2. DVB-H channel definitions.

## Modulation

The DVB-H system uses Orthogonal Frequency Division Multiplexing (OFDM) where all carriers in one OFDM frame are modulated by either: QPSK, 16-QAM, 64-QAM, non-uniform 16-QAM, or non-uniform 64-QAM. The TPS carriers are modulated by DBPSK.

## Conclusion

The MAX2165 has been presented here in a typical DVB-H system. The highly integrated nature of this device, coupled with its flexibility, make it an obvious choice for the application.

## References

<sup>1</sup>IEC 62002-2: Mobile and portable DVB-T/H radio access-Part 1: Interface specification.

<sup>2</sup>ETSI EN 300 744: "Digital Video Broadcasting (DVB); Framing structure, channel coding and modulation for digital terrestrial television."

## Related Parts

[MAX2165](#)

Single-Conversion DVB-H Tuner

[Free Samples](#)

**More Information**

For Technical Support: <http://www.maximintegrated.com/support>

For Samples: <http://www.maximintegrated.com/samples>

Other Questions and Comments: <http://www.maximintegrated.com/contact>

---

Application Note 3847: <http://www.maximintegrated.com/an3847>

APPLICATION NOTE 3847, AN3847, AN 3847, APP3847, Appnote3847, Appnote 3847

Copyright © by Maxim Integrated Products

Additional Legal Notices: <http://www.maximintegrated.com/legal>