

**MODEL:** IA-MM6335B | **DESCRIPTION:** AUDIO INLINE ADAPTER**FEATURES**

- 3.5 mm mono to 6.3 mm mono
- metal cover

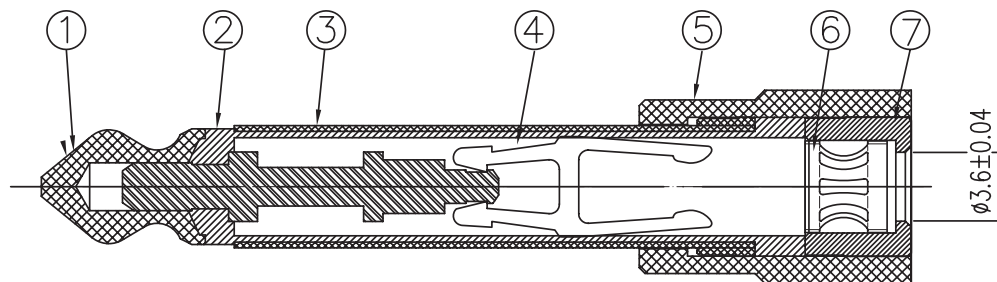
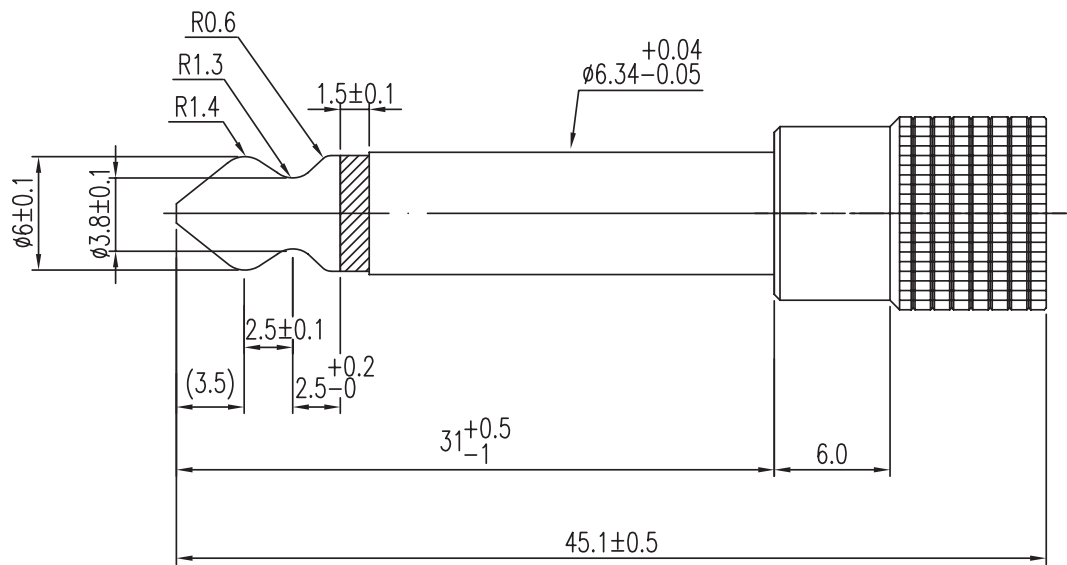
**SPECIFICATIONS**

| parameter             | conditions/description           | min | typ   | max | units        |
|-----------------------|----------------------------------|-----|-------|-----|--------------|
| rated input voltage   |                                  |     | 12    |     | Vdc          |
| rated input current   |                                  |     |       | 1   | A            |
| contact resistance    | between plug and jack            |     |       | 1   | $\Omega$     |
| insulation resistance | at 300 Vdc                       | 2   |       |     | M $\Omega$   |
| insertion force       | when mating with a standard jack | 0.4 |       | 4   | kgf          |
| withdrawal force      | when mating with a standard jack | 0.4 |       | 4   | kgf          |
| operating temperature |                                  | -25 |       | 70  | $^{\circ}$ C |
| operating humidity    |                                  |     |       | 85  | %            |
| life                  |                                  |     | 5,000 |     | cycles       |
| flammability rating   | see material table               |     |       |     |              |
| RoHS                  | yes                              |     |       |     |              |

## MECHANICAL DRAWING

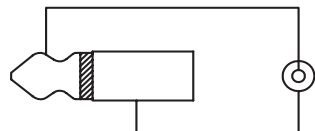
units: mm  
 tolerance:  
 $X \leq 1.0$ :  $\pm 0.1$  mm  
 $1.0 < X \leq 6.0$ :  $\pm 0.2$  mm  
 $6.0 < X \leq 12.0$ :  $\pm 0.3$  mm  
 $12.0 < X \leq 25.0$ :  $\pm 0.4$  mm  
 $X > 25.0$ :  $\pm 0.5$  mm  
 unless otherwise noted

| ITEM | DESCRIPTION       | MATERIAL        | PLATING/COLOR |
|------|-------------------|-----------------|---------------|
| 1    | plug tip          | brass           | nickel        |
| 2    | insulator         | PBT (UL94HB)    | black         |
| 3    | plug sleeve       | brass           | nickel        |
| 4    | receptacle tip    | phosphor bronze | nickel        |
| 5    | body              | brass           | nickel        |
| 6    | receptacle sleeve | phosphor bronze |               |
| 7    | receptacle body   | brass           | nickel        |



Ø6.3 Mono Plug

Ø3.5 Mono Receptacle



Schematic

## REVISION HISTORY

---

| rev. | description     | date       |
|------|-----------------|------------|
| 1.0  | initial release | 06/18/2018 |
| 1.01 | brand update    | 10/18/2019 |

The revision history provided is for informational purposes only and is believed to be accurate.

---

# CUI DEVICES

CUI Devices offers a one (1) year limited warranty. Complete warranty information is listed on our website.

CUI Devices reserves the right to make changes to the product at any time without notice. Information provided by CUI Devices is believed to be accurate and reliable. However, no responsibility is assumed by CUI Devices for its use, nor for any infringements of patents or other rights of third parties which may result from its use.

CUI Devices products are not authorized or warranted for use as critical components in equipment that requires an extremely high level of reliability. A critical component is any component of a life support device or system whose failure to perform can be reasonably expected to cause the failure of the life support device or system, or to affect its safety or effectiveness.