



*Quality Products. Service Excellence.*

## 3000-5000 BTU/H Outdoor Slimline Air Conditioner *DTS SL Series*

Type 3R, 4, 4X, Side Mounting



### Description

- Narrow design for side mounting on any enclosure surface where hot spot or low capacity cooling is required.
- Closed loop cooling ensures clean enclosure air is recirculated without ever mixing with contaminated ambient air.

### Standards

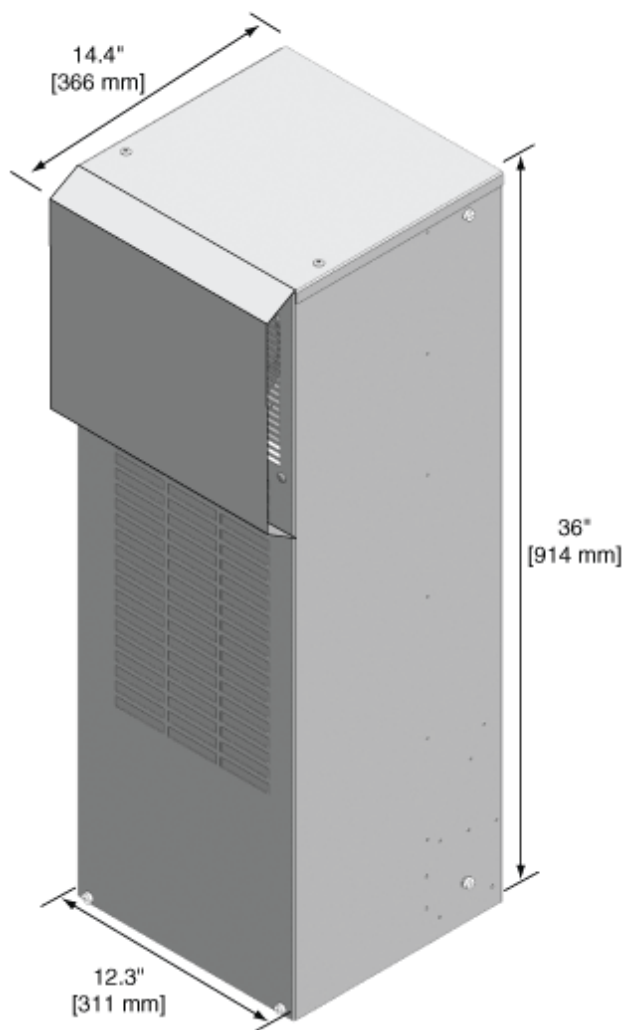
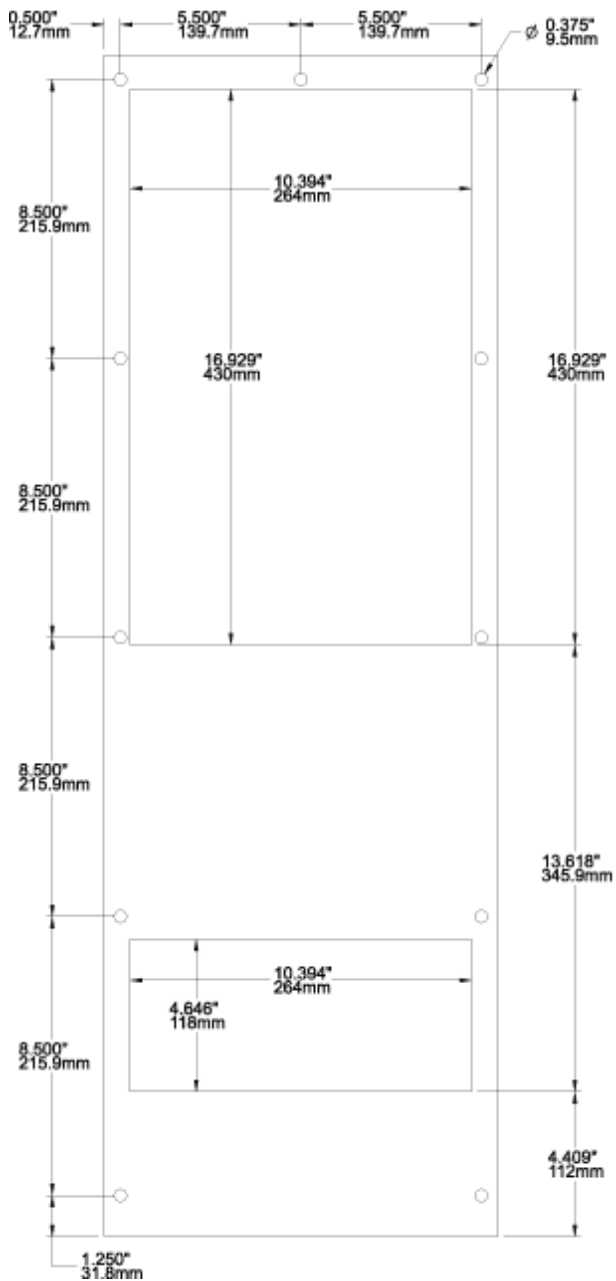
- Complies with
  - NEMA 3R, 4, 4X rating
- IP 56
- UL, cUL and CE

### Features

- R134a refrigerant.
- Thermostat control accessible from inside enclosure.
- Expansion valve increases efficiency with improved evaporator heat transfer and less frequent compressor operation.
- Built in condensor/evaporator
- Continuous air circulation from high capacity fans.
- EMI/RFI suppression meets CE.
- Self-diagnostics on startup.
- Fault indication via LED light.
- Door contact for power down when enclosure door is opened.
- Gasket, mounting kit and template for cutout and drilling are included.
- Condensate drain hose and clamp

### Accessories

- Remote Door Switches
- Gasket Kits
- Condensate Bottle
- Filter Kits
- Water Condensate Evaporator



Part Number	Type Rating
DTS3161SLA2N3LG	3R, 4
DTS3161SLA4N3LG	3R, 4
DTS3181SLA2N4SS	4X
DTS3181SLA4N4SS	4X

\* For ANSI 61 Gray replace LG with GY

Electrical Data	DTS3161SLA2N3LG	DTS3161SLA4N3LG
	DTS3181SLA2N4SS	DTS3181SLA4N4SS
Rated Voltage	230 V 50/60 Hz	460 V 50/60 Hz
Range of Operation	198-252 V	360-506 V
Power Consumption	890 W	751 W
Running Amps	4.0 A	1.9 A
Starting Current	14.8 A	14.8 A
Line Cord	Terminal Block	Terminal Block

Refrigeration Data	
Cooling Capacity BTU/h ( Watts) +95/+95F +35/35C	5097 BTU/h (1493 Watts)
Type of Refrigerant	R134a
Adjustable Control Range	+ 59...+ 113F / + 15...+ 45C Factory setting +95 F (+35C)
Max Ambient Air Temp	+131 F (+55 C)
Min Ambient Air Temp	+32 F ( +0 C)
Air Capacity (unrestricted)	Internal Circulation 350 CFM

Refrigeration Data	
	External Circulation 350 CFM
Condensate Discharge	Condensate Evaporator
Filter Mat	Filterless
Db Noise Level	<70 dB (A)
Unit Weight	108 lbs (49 kg)
Exterior Case	Galvanized Sheet Steel
Finish LG	RAL7035 light Gray
Finish GY	ANSI 61 Gray
Finish SS	304 Stainless Steel # 4 brush
Nema Rating	Enclosures IP 54/Nema 3R, 4, 4X

*Data subject to change without notice*

© 2019. Hammond Manufacturing Ltd. All rights reserved.