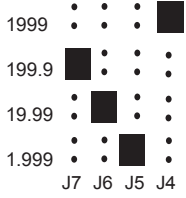


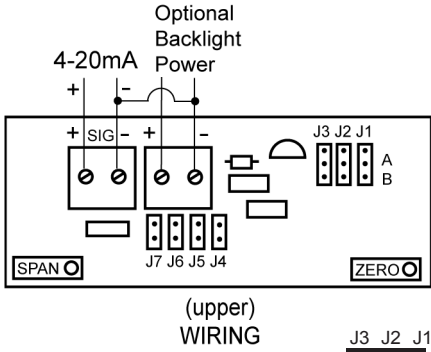
## 4-20mA Wiring LCD

### 1. DECIMAL SELECTION:

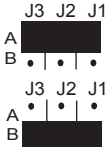


### 2. J1, J2, J3 SELECTION:

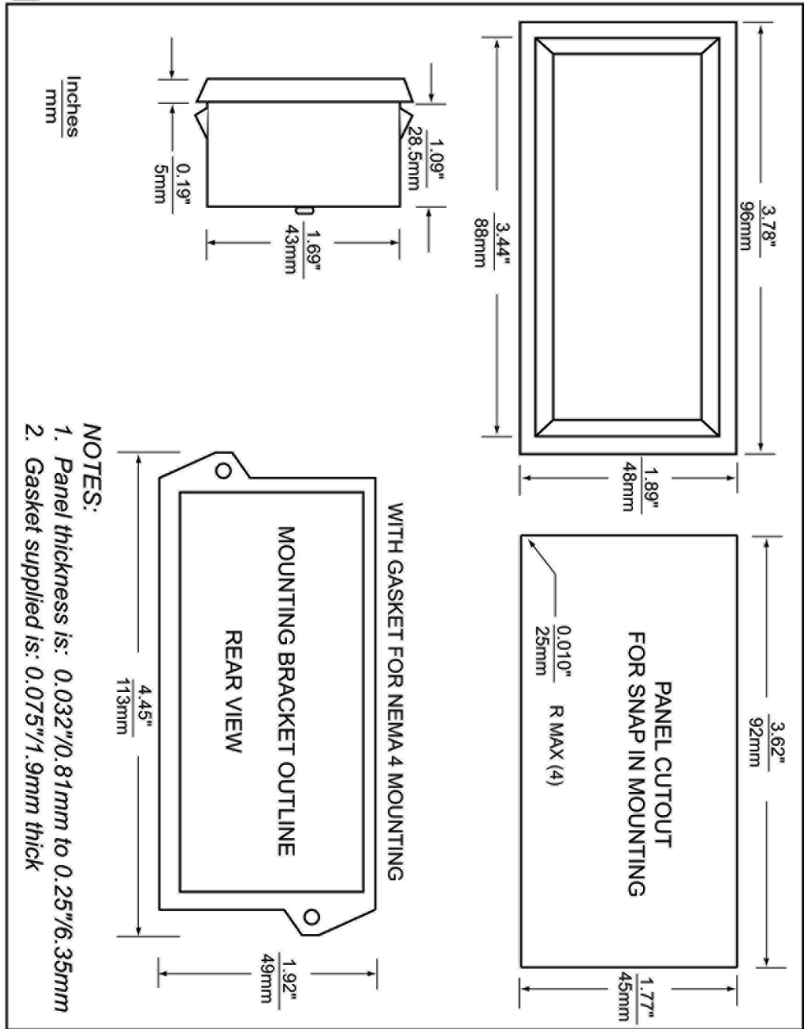
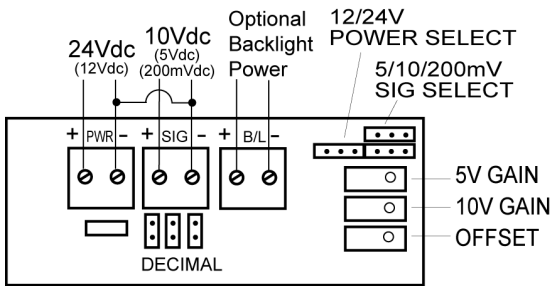
- IF: OFFSET (ZERO) IS 0 or  
 OFFSET (ZERO) > 0 and GAIN (SPAN) + OFFSET (ZERO) ≥ 5
- IF: OFFSET (ZERO) > 0 and GAIN (SPAN) + OFFSET (ZERO) < 5



(upper)  
WIRING



## RVM Wiring



- NOTES:
1. Panel thickness is: 0.032"/0.81mm to 0.25"/6.35mm
  2. Gasket supplied is: 0.075"/1.9mm thick

Pin	WIRING
1	+5V
2	Neg. Supply
3	INH
4	INLO
5	Decimal common
6	Dec. 000.0 when connected to decimal common
7	Dec. 00.00 when connected to decimal common
8	Dec. 0.000 when connected to decimal common
9	No connection
10	No connection
11	Display Hold when connected to +5V
12	No connection
13	No connection

\*Note: Pins 2 & 4 should be tied together for proper operation

LCD ONLY: To enable annunciators (13 pin header)



# Big Digit Series