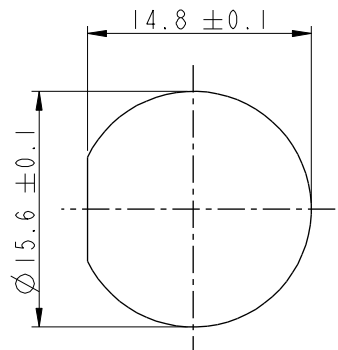


THIS DOCUMENT IS SUBJECT TO CHANGE WITHOUT NOTICE. IT IS CONFIDENTIAL AND A PROPERTY OF Amphenol LTW. DISCLOSURE TO THIRD PARTY HAS TO BE AUTHORIZED BY Amphenol LTW.

REV.	ECN NO.	DATE	SIGN	DESCRIPTION
B	C190346	2019/03/05	Vicky	Change Note



Recommended Panel Cut-Out

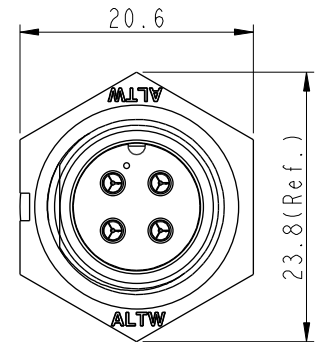
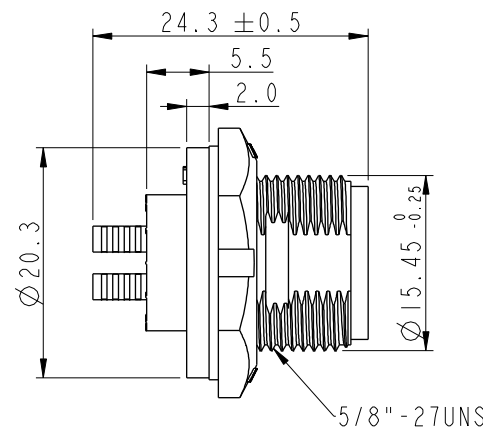
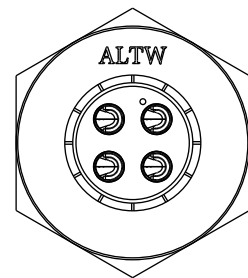
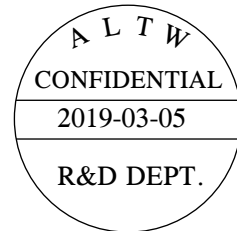
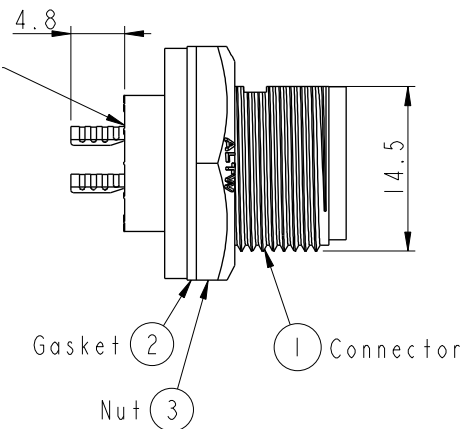
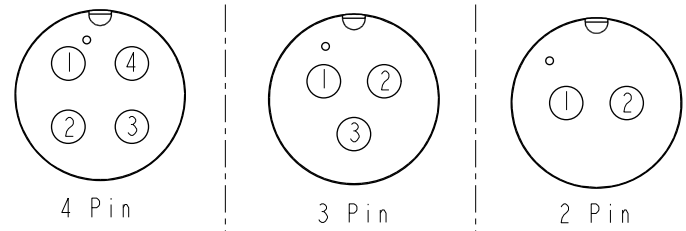


ABB-XXPMMS-SC7001  
02: 2Pin  
04: 4Pin

With Liquid Glue



- Note:**
- \*  $\text{CC}$  Important Dimension To Check.
  - \* Waterproof Rate: IP67, Unmated.
  - \* Housing: Thermoplastic, Black.
  - \* Pin: Copper Alloy, Gold Plated.
  - \* Gasket: Rubber, Gray.
  - \* Nut: Thermoplastic, Black.
  - \* Use with waterproof cap or dust cap  
Maximum Panel Thickness: 3.3mm
  - \* Use without waterproof cap or dust cap  
Maximum Panel Thickness: 4.5mm
  - \* Gasket and Nut are packed separately in PE bags. (Gasket/Nut 不組裝, 散裝出貨)



Pin Assignments Front View

UNIT: mm	TITLE STANDARD PANEL SCREW M CONN M PIN			Amphenol LTW 安費諾亮泰企業股份有限公司	ITEM NO	DRAWN BY Vicky	DATE 2019-03-05	
	TOLERANCE .X ±0.25 .XX ±0.1 .XXX ±0.05 ANGLES ±1°	SCALE 2:1	SIZE A4		SHEET 1 OF 1	DWG NO ABB-XXPMMS-SC7001	CHECKED BY Rita	DATE 2019-03-05
		REV. B	WC-REV. A.1		$\text{CC}$ : Inspection item	CUSTOMER ALTW	APPROVED BY Max	DATE 2019-03-05