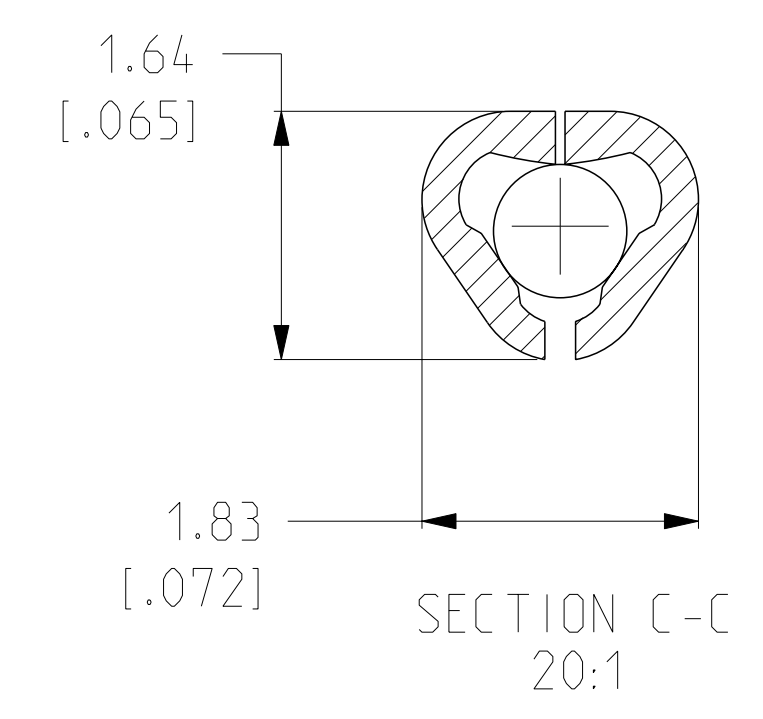
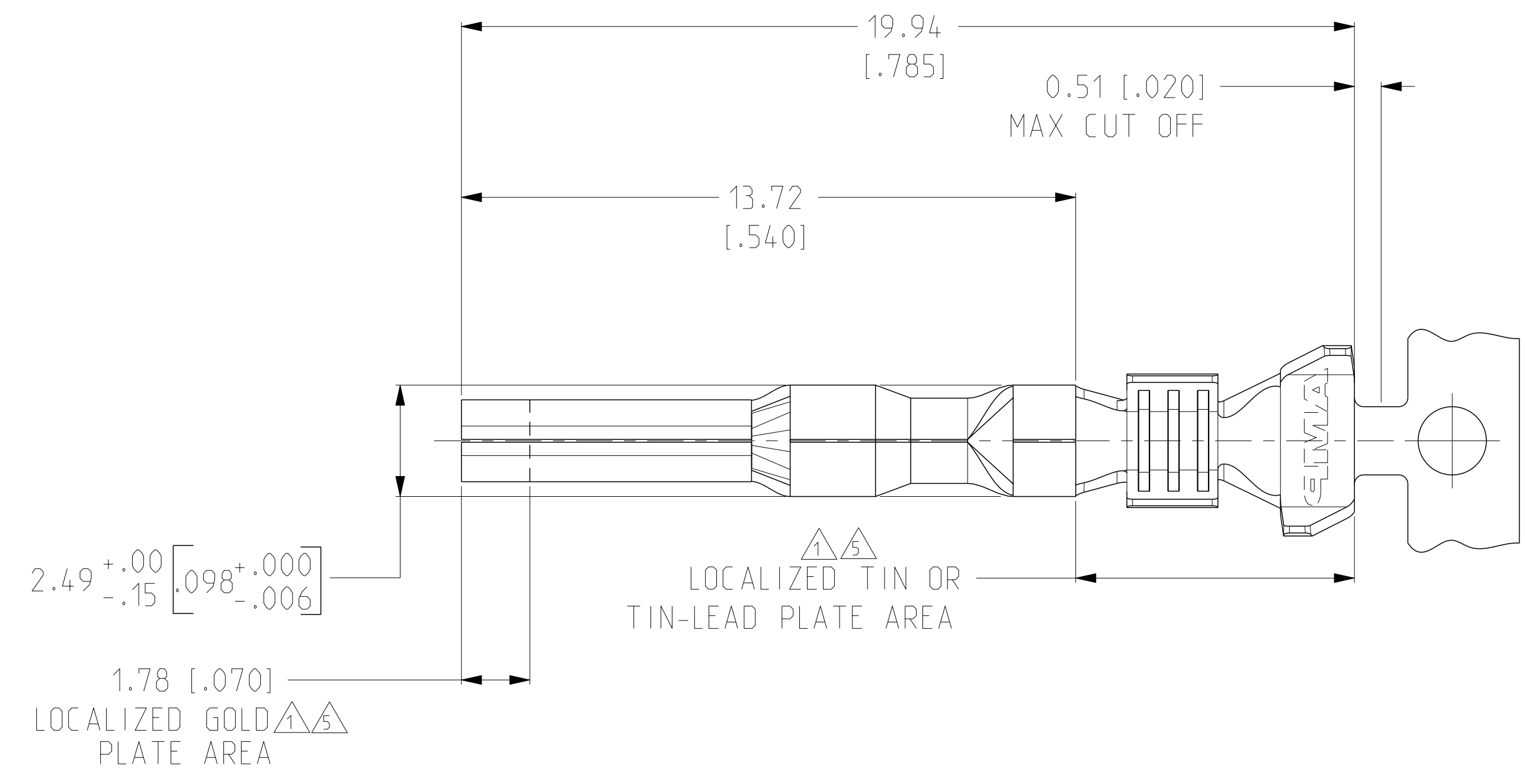
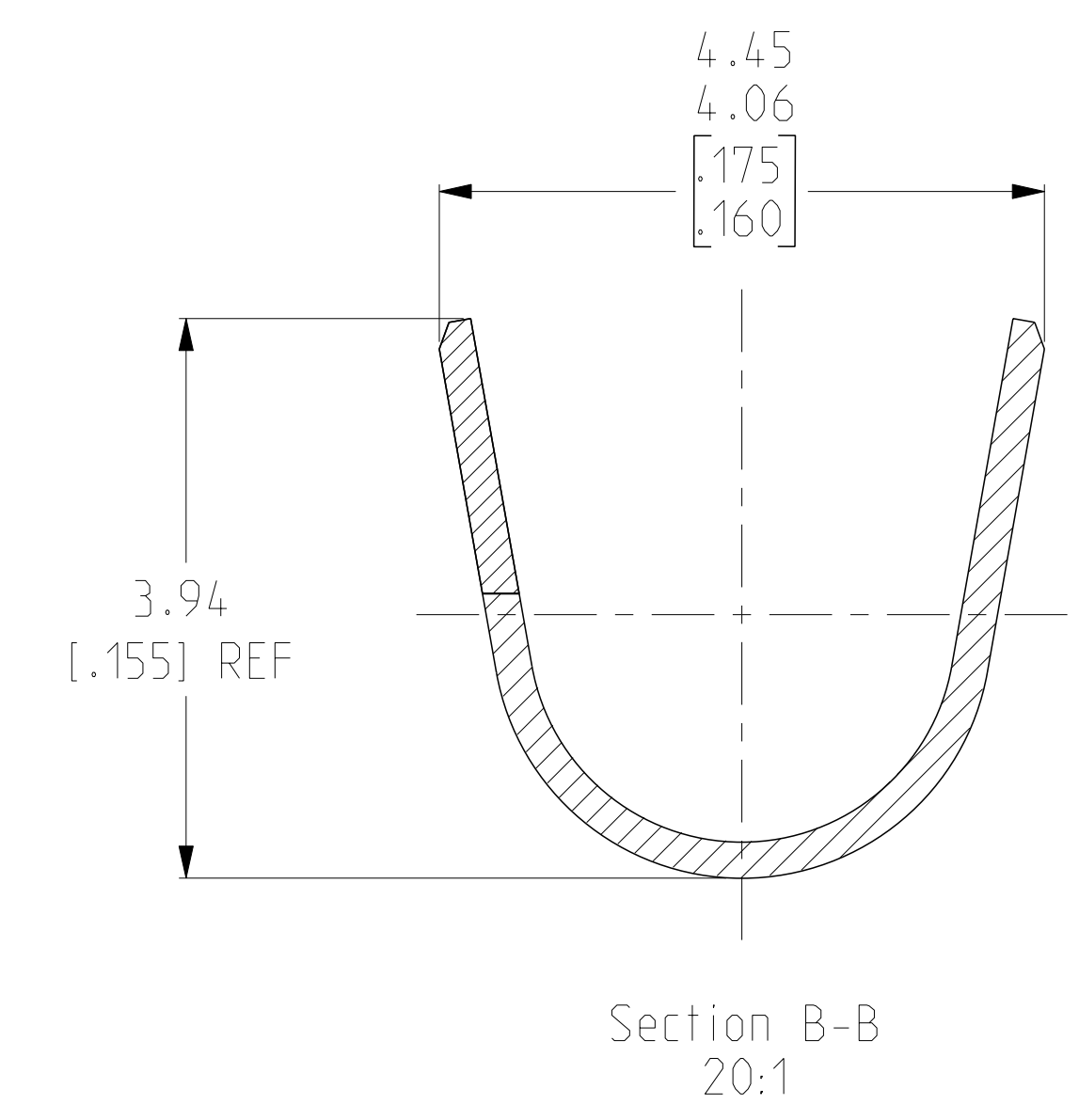
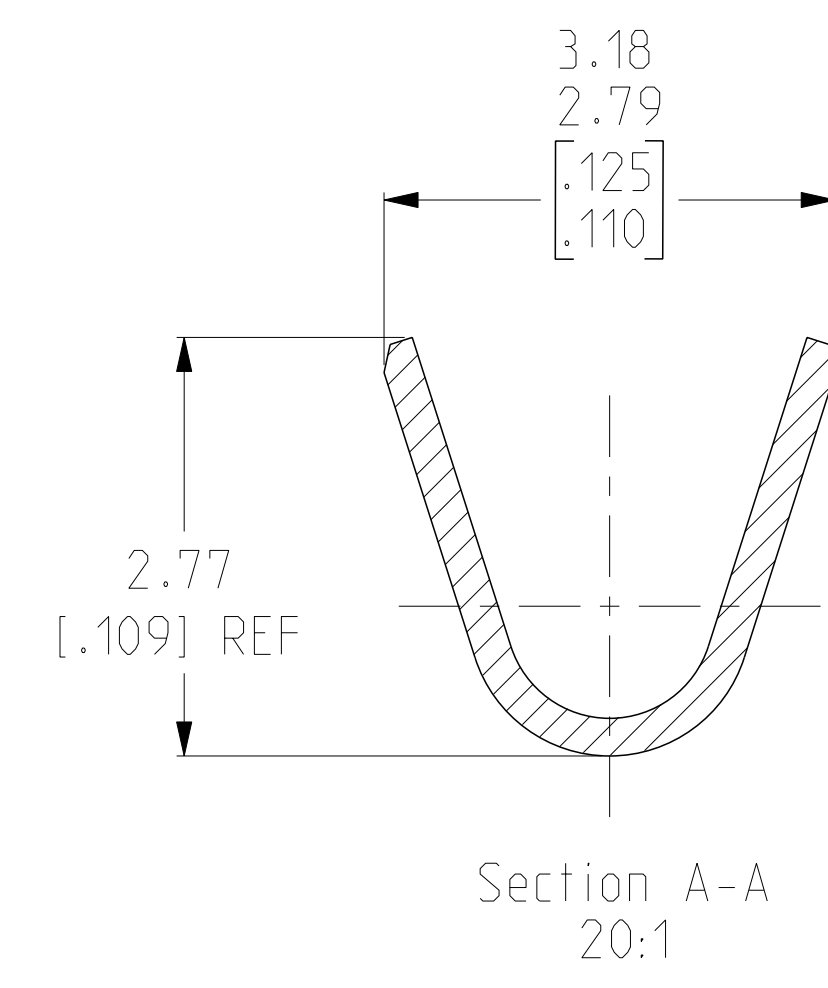
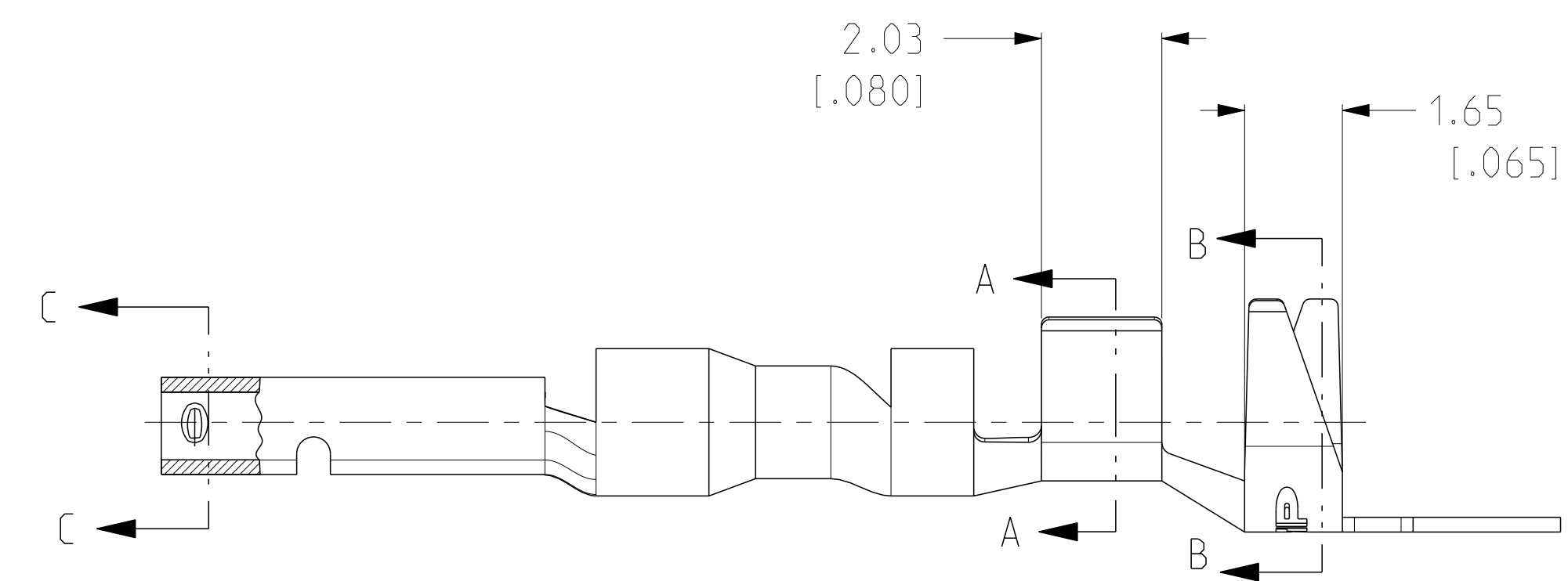


REVISIONS					
#	DATE	DESCRIPTION	DATE	OWN	APVD
J		REVISED PER ECR-17-013000	30OCT2018	BDA	SG

- 1 0.00076 [.000030] MIN GOLD IN LOCALIZED GOLD PLATE AREA AND 0.00254-0.00635 [.000100-.000250] BRIGHT TIN-LEAD IN LOCALIZED TIN-LEAD PLATE AREA OVER 0.00127 [.000050] MIN NICKEL.
- 2 WIRE RANGE: 0.5-1.4MM<sup>2</sup> (20-16 AWG).
- 3 INSULATION RANGE: 2.01-3.20(.079-.126) DIA.
- 4 DIMENSIONS IN BRACKETS ARE IN INCHES.
- 5 0.00076 [.000030] MIN GOLD IN LOCALIZED GOLD PLATE AREA AND 0.00254-0.00635 [.000100-.000250] BRIGHT TIN IN LOCALIZED TIN PLATE AREA OVER 0.00127 [.000050] MIN NICKEL.



△	MAKE FROM 794223-2	1-794223-0
△	MAKE FROM 794223-2	794223-3
PRE TIN	.0098±.0004 X .970±.002 H06, 6-702456-6, BRASS, PER TE SPEC. 100-86	794223-1
FINISH	MATERIAL	PART NUMBER

THIS DRAWING IS A CONTROLLED DOCUMENT.		OWN S. CARPENTER 21MAY2003	<b>STE</b> TE Connectivity	
DIMENSIONS: mm		CHK C. JONES 21MAY2003		
TOLERANCES UNLESS OTHERWISE SPECIFIED:		APVD C. JONES 21MAY2003	NAME SOCKET, MINI UNIVERSAL MATE-N-LOK™2	
0 PLC ±		PRODUCT SPEC	SIZE CAGE CODE DRAWING NO RESTRICTED TO	
1 PLC ±		APPLICATION SPEC	A1 00779 ©=794223	
2 PLC ±		FINISH	SCALE 5:1 SHEET 1 OF 1 REV J	
3 PLC ±		WEIGHT	CUSTOMER DRAWING	
4 PLC ±				
ANGLES	SEE TABLE			