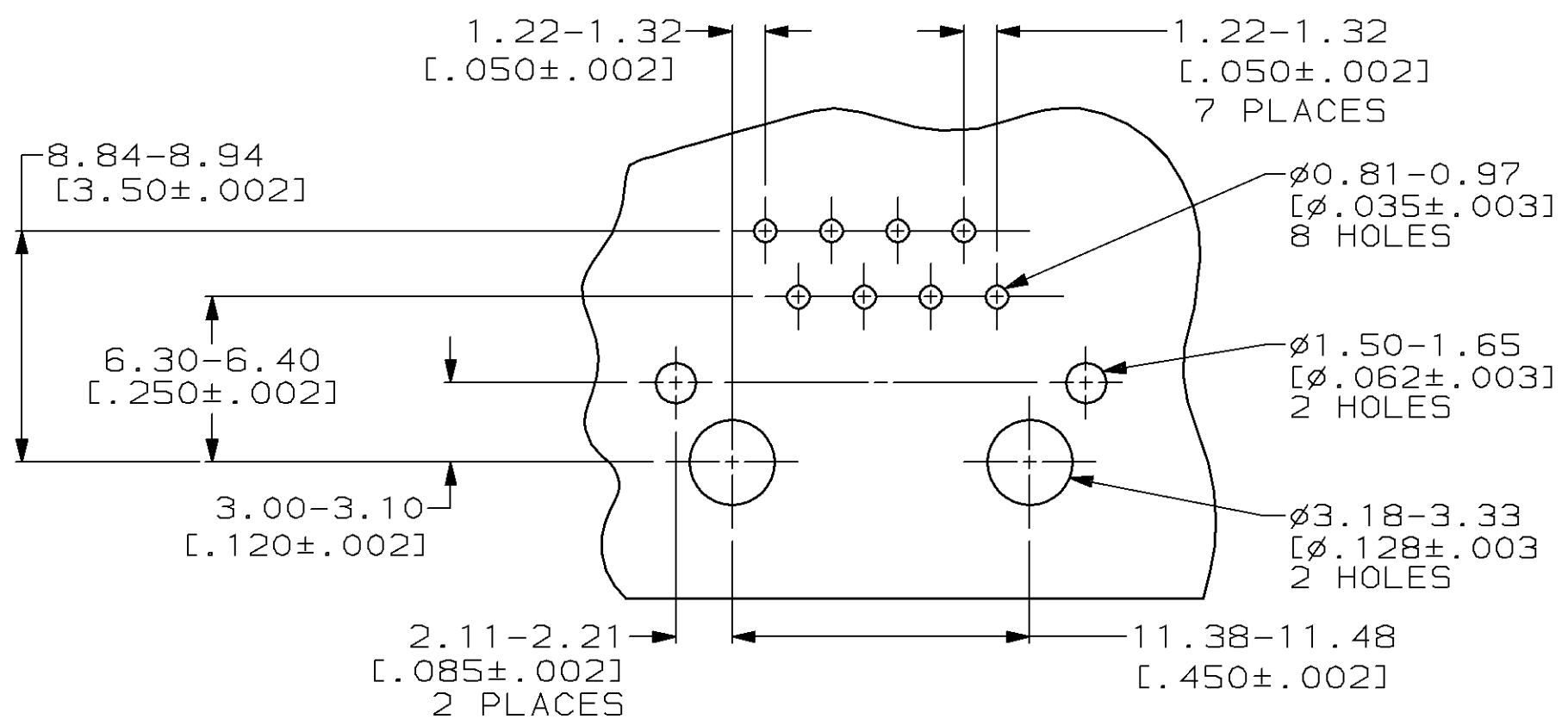
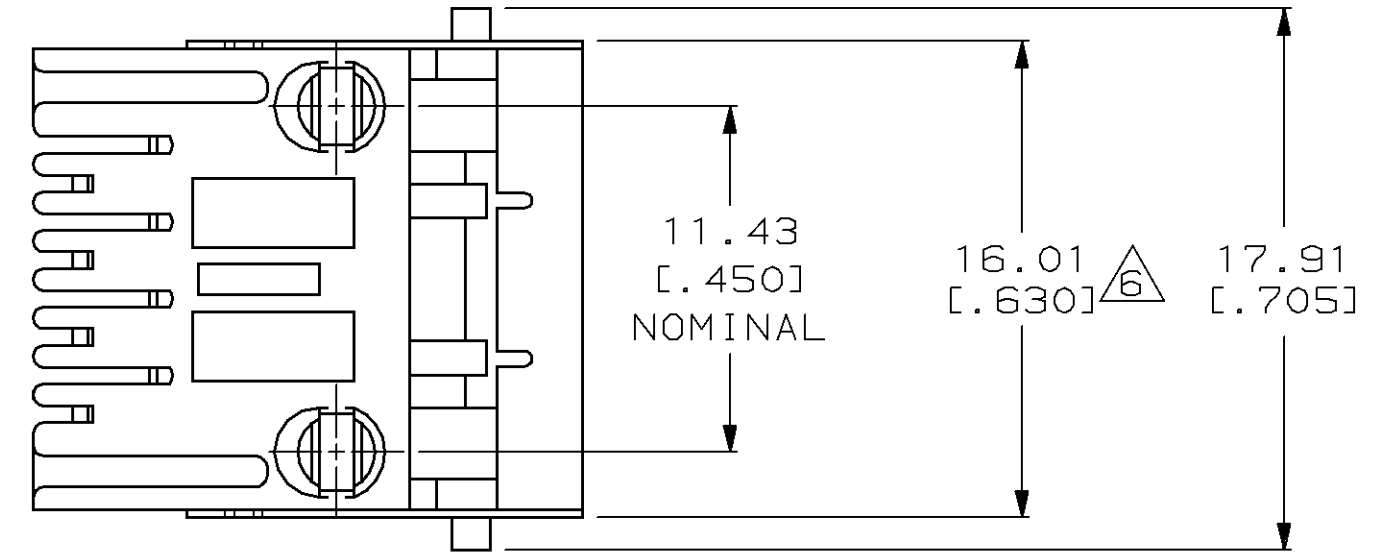
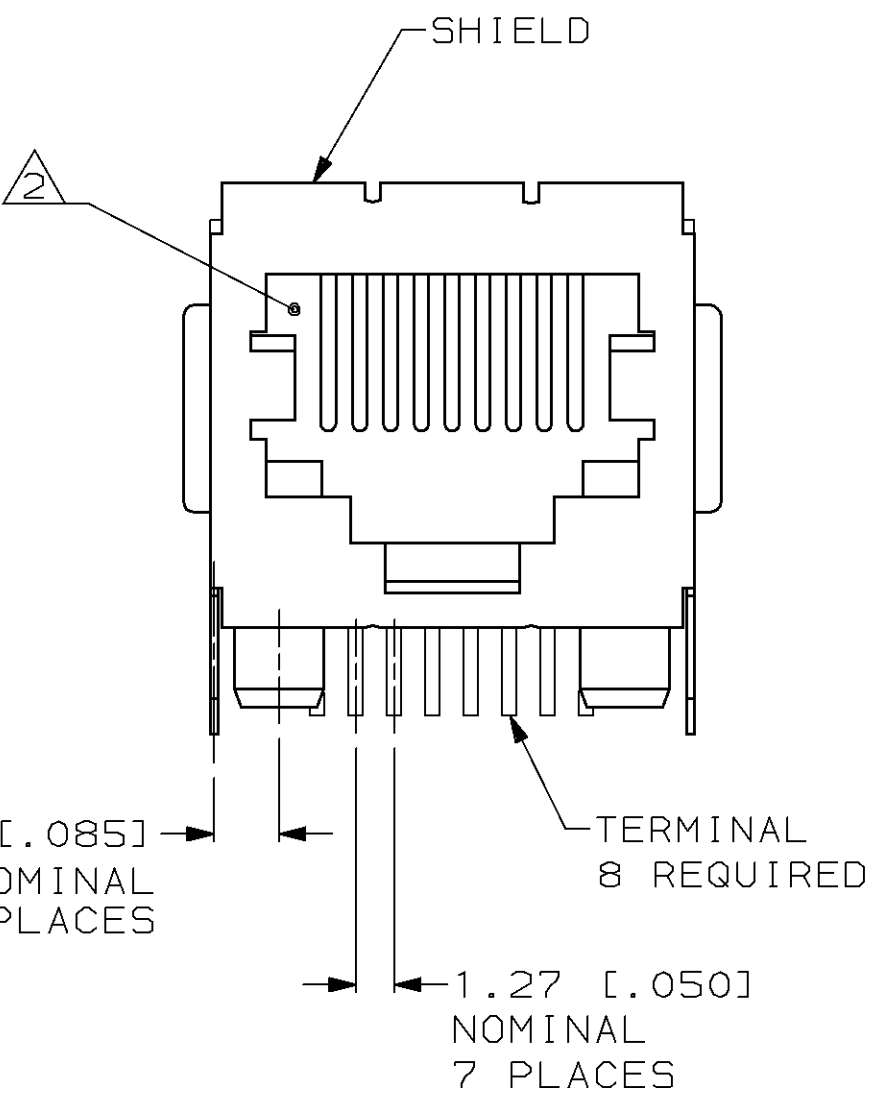
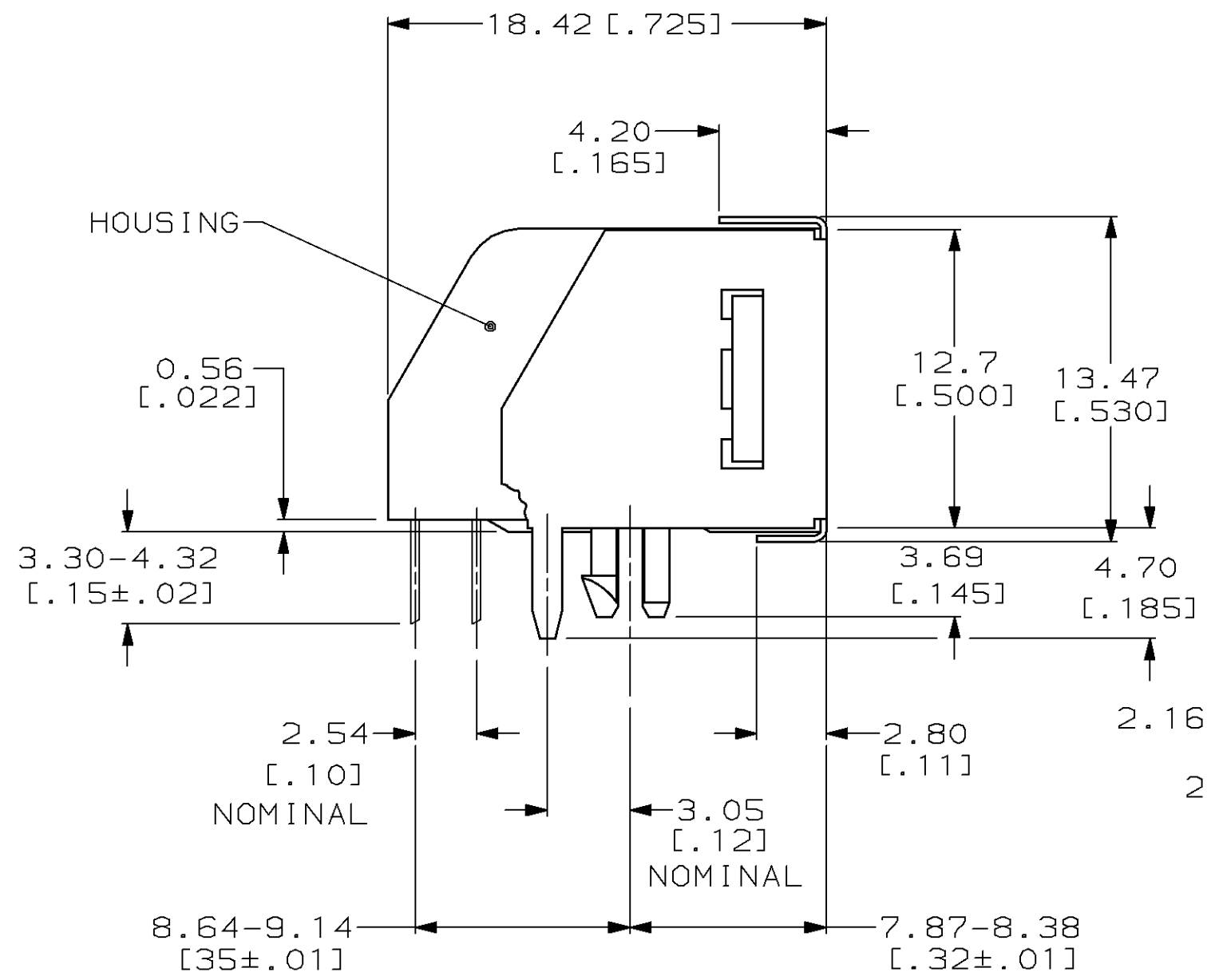


LOC	DIST	P	F	REVISIONS			DATE	APPD
AA	22			ZONE	LTR	DESCRIPTION		
				A		REV; EC 0210-0442-95	11-9-95	DS



SUGGESTED PRINTED CIRCUIT BOARD
 MOUNTING HOLE LAYOUT
 VIEW SHOWN AS CIRCUIT SIDE OF BOARD

THIS DRAWING IS A CONTROLLED DOCUMENT FOR AMP INCORPORATED. IT IS SUBJECT TO CHANGE AND THE CONTROLLING ENGINEERING ORGANIZATION SHOULD BE CONTACTED FOR THE LATEST REVISION.

- 1 MATERIAL: HOUSING - PBT POLYESTER, BLACK.
 TERMINAL - 0.35 [.0138] THICK PHOS-BRONZE PLATED WITH 1.27 μ m [.000050] THICK HARD GOLD IN LOCALIZED GOLD PLATE AREA AND 2.03 μ m [.000080] MINIMUM THICK TIN LEAD IN SOLDER AREA OVER 1.27 μ m [.000050] MINIMUM THICK NICKEL UNDERPLATE.
 SHIELD - 0.25 [.010] THICK COPPER ALLOY, TIN-LEAD PLATE.
- 2 CAVITY CONFORMS TO FCC RULES AND REGULATIONS PART 68, SUBPART F.
- 3. FOR APPLICATION INFORMATION SEE AMP SPECIFICATION 114-2048.
- 4. FOR PERFORMANCE REQUIREMENTS SEE AMP SPECIFICATION 108-1163.
- 5 ALL DIMENSIONS ARE MAXIMUM UNLESS OTHERWISE SPECIFIED.
- 6 DIMENSION APPLIES TO AREA IN FRONT OF PANEL STOPS ONLY.

558250-1
 PART NO

DO NOT SCALE PRINT. UNLESS SPECIFIED DIMENSIONS IN mm [INCHES] TOLERANCES ON: 2 PLC DEC \pm 5 3 PLC DEC \pm ANGLES \pm	DR 2-11-94 D. STRAUSSER	AMP Incorporated Harrisburg, PA 17105-3608	NAME		
	CHK 2-22-94 C. WHITT		MODULAR JACK ASSEMBLY, SHIELDED, 8 POSITION, LOW PROFILE, RIGHT ANGLE, PCB GROUND		
MATERIAL	APPD 2-28-94 J. TONEY	PRODUCT SPEC	SIZE		
	APPD 2-28-94 H. McGRATH		CAGE CODE 00779		
FINISH	APPLICATION SPEC	DRAWING NO	C=558250		
		SCALE	4:1	SHEET	1 OF 1

CUSTOMER DRAWING