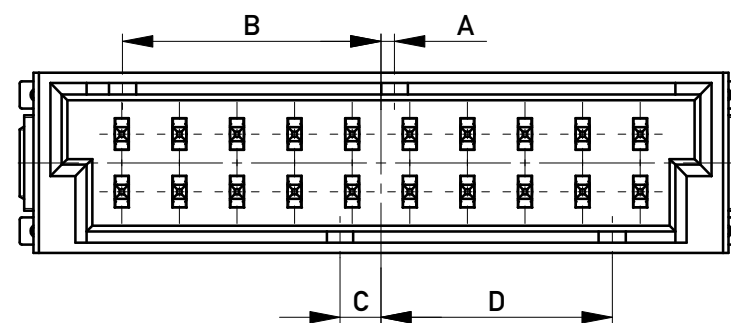
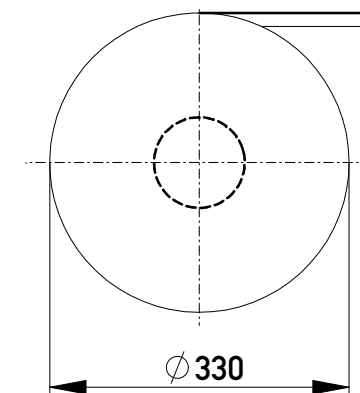


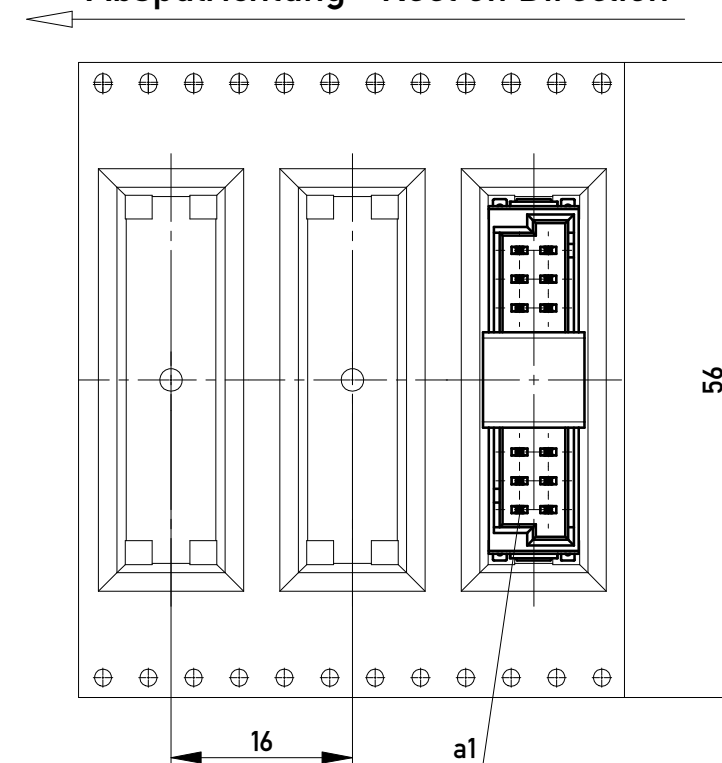
ohne Ansaughaube - without hood



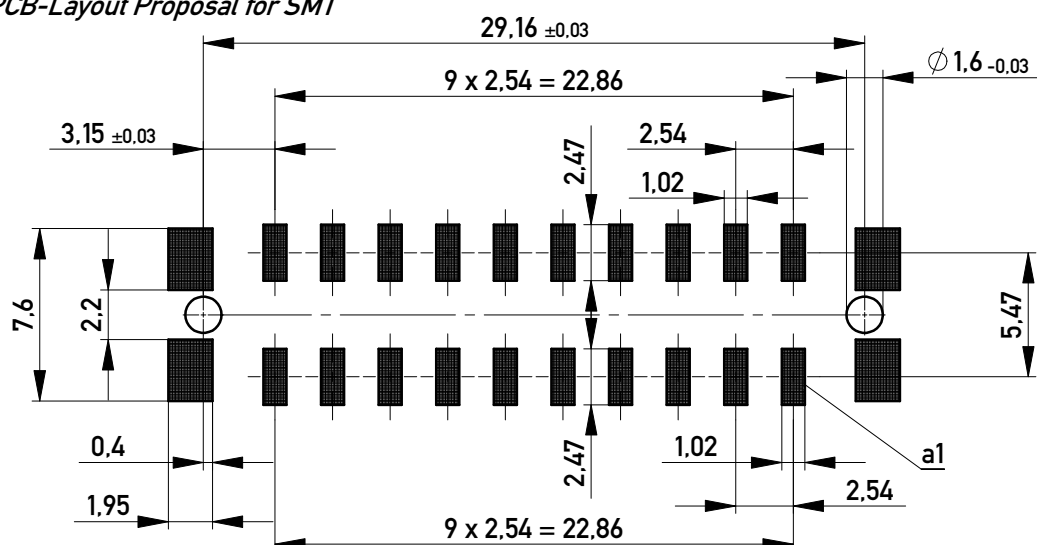
Verpackt im Gurt in Anlehnung an DIN IEC 60286-3
Tape on Reel Packaging according to DIN IEC 60286-3
Verpackungseinheit: 320 Stück
Packaging unit: 320 pcs



Abspulrichtung - Reel off Direction



Leiterplatten-Layout Vorschlag für SMT
PCB-Layout Proposal for SMT



Anforderungsstufe 1
Performance Level 1

Kontaktbereich vergoldet
Mating Area gold plating

Anschlussbereich verzinkt 4-6 µm
Terminal Area 4-6 µm tin plating

Koplanarität der Anschlüsse ≤ 0.1 mm
Coplanarity Area of Termination ≤ 0.1 mm

464689		rot red	5.4	6.6	0.6	11.4	
464688		grün green	3.6	8.4	5.4	6.6	
464687		blau blue	1.8	10.2	3.6	8.4	
464686		schwarz black	0.6	11.4	1.8	10.2	
Ident-Nr. part-no.	Codierung coding	Farbe color	A	B	C	D	Bemerkung note

für höhere Spannungsfestigkeit
for higher voltage proof

Information:		Tolerances		Scale	3:1		
All rights reserved. Only for Information. To ensure that this is the latest version of this drawing, please contact one of the ERNI companies before using.		Subject to modification without prior notice. Drawing will not be updated.		Designation		M 2,54 DRC-Q, 20-polig	
www.ERNI.com				324221		I	
Date		Date		Class		DRCQ	
21.10.2015		21.10.2015				A3	

Copyright by ERNI GmbH
Proprietary notice pursuant to ISO 16016 to be observed.