

4

3

2

1

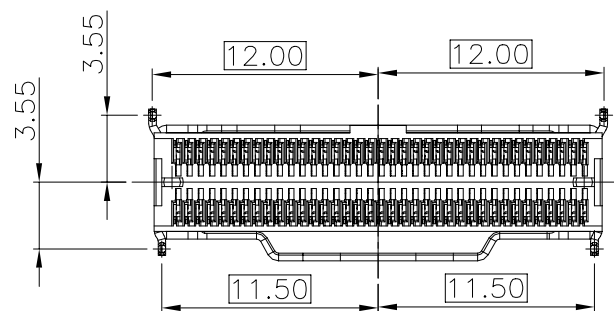
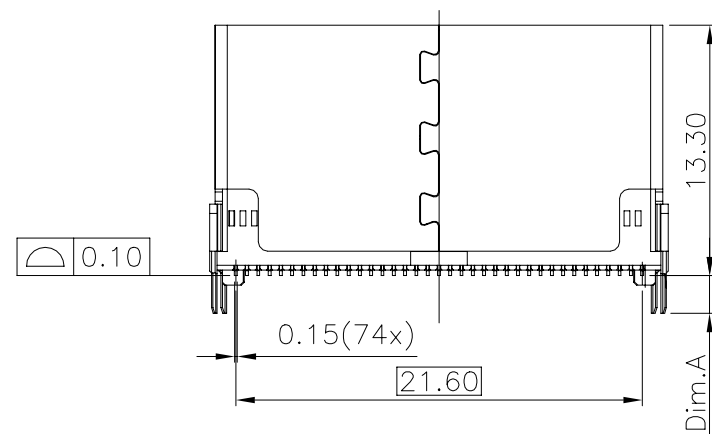
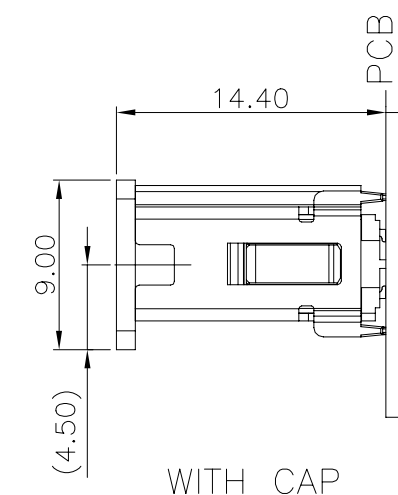
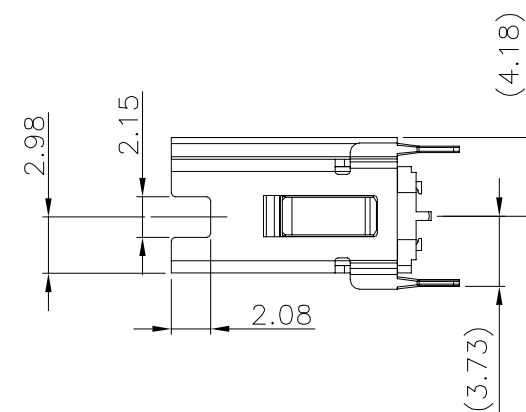
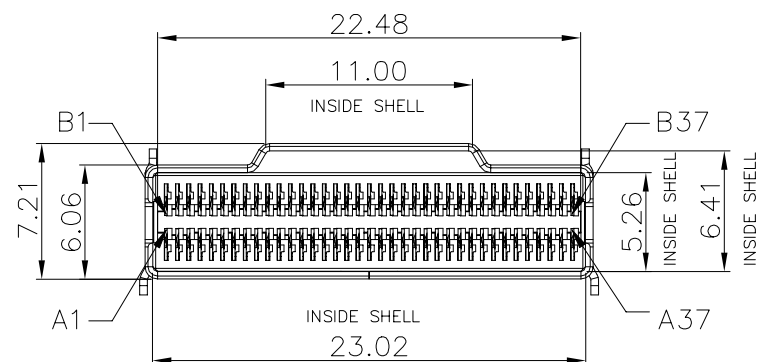
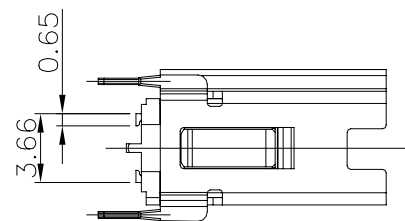
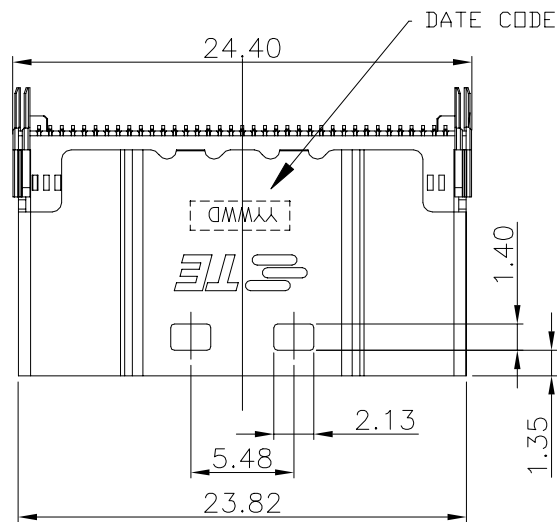
© - TE Connectivity. All Rights Reserved.

REVISIONS

P	LTR	DESCRIPTION	DATE	DWN	APVD
C		REVISE PER ECO-21-004735	14APR2021	LL	DZ


NOTES:

1. MATERIAL:
  - 1.1 HOUSING: HIGH TEMPERATURE PLASTIC. UL94 V-0
  - 1.2 CONTACT: COPPER ALLOY
  - 1.3 SHELL: STAINLESS STEEL
  - 1.4 CAP: HIGH TEMPERATURE PLASTIC. UL94 V-0 COLOR:BLACK
2. FINISH:
  - 2.1 CONTACT;
    - GOLD PLATING 30u"Min ON CONTACT AREA.
    - 100u" MIN. MATTE-TIN PALTING ON SOLDER TAIL AREA.
    - 50u"MIN. NICKEL UNDERPLATING OVERALL.
  - 2.2 SHELL:
    - Ni 50u" Min PLATING OVER ALL.

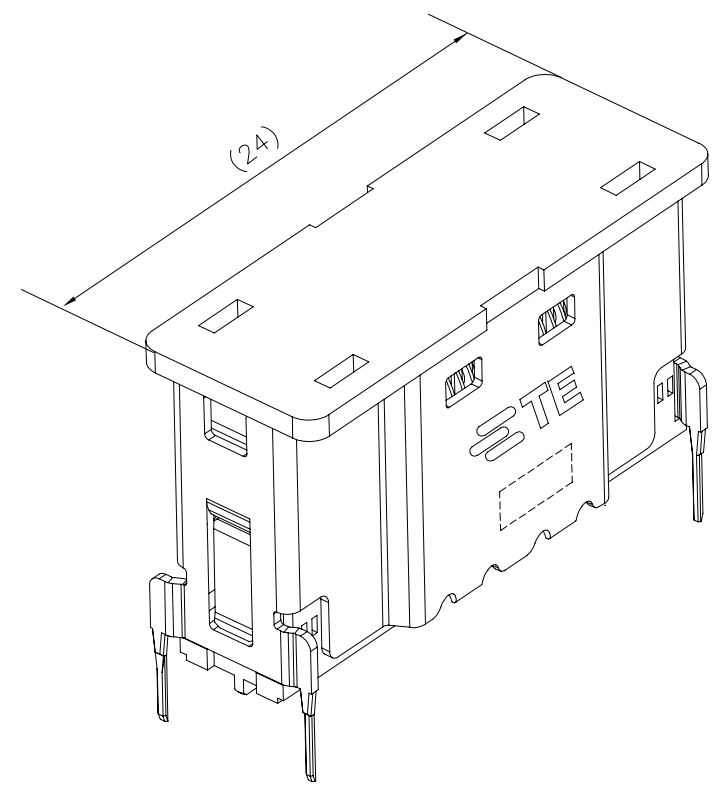
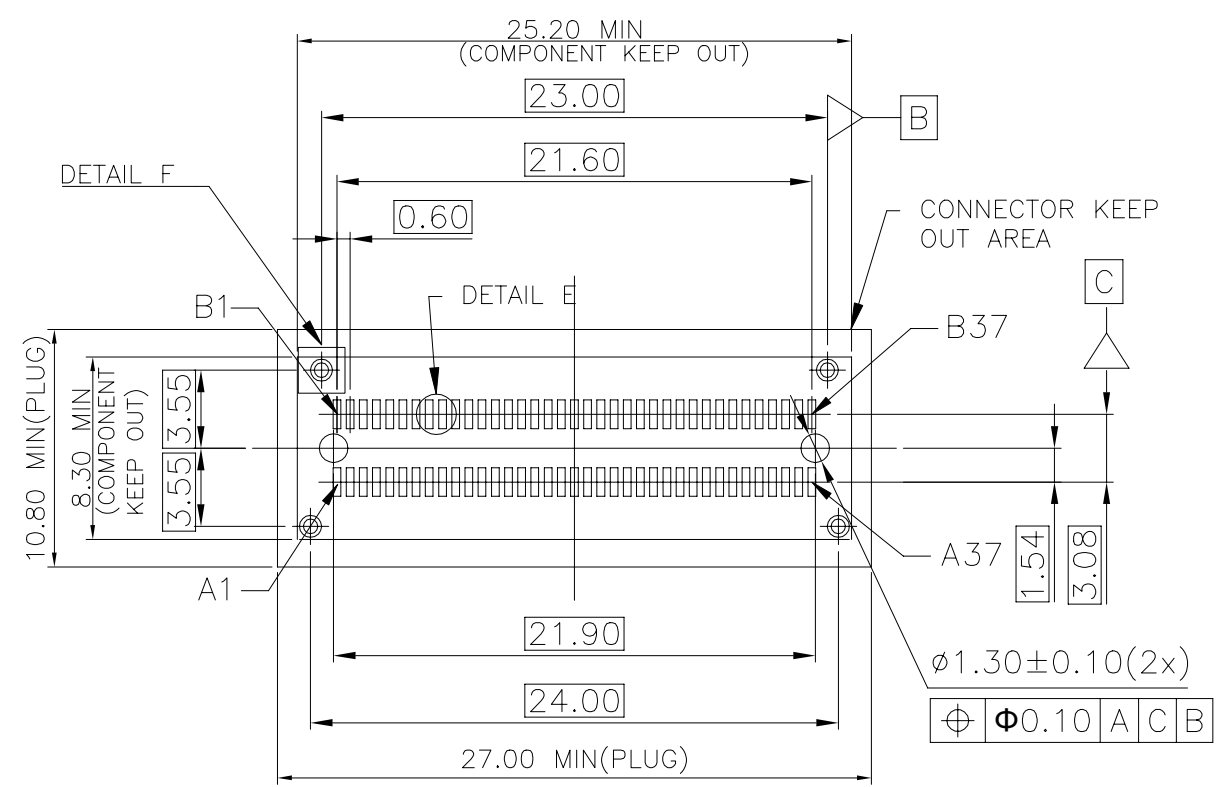


TABLE

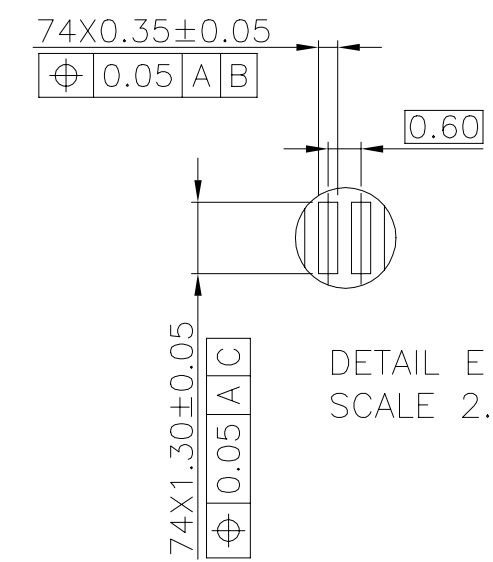
3.00mm	2356318-2
2.00mm	2356318-1
Dim.A	PART No.

THIS DRAWING IS A CONTROLLED DOCUMENT.		DWN	LEOLI	07MAY2019	 TE Connectivity Ltd.											
DIMENSIONS: mm		CHK	DAVID ZHANG	07MAY2019												
TOLERANCES UNLESS OTHERWISE SPECIFIED:		APVD	DAVID ZHANG	07MAY2019												
<table border="0"> <tr><td>0 PLC</td><td>± 0.3</td></tr> <tr><td>1 PLC</td><td>± 0.25</td></tr> <tr><td>2 PLC</td><td>± 0.20</td></tr> <tr><td>3 PLC</td><td>± -</td></tr> <tr><td>4 PLC</td><td>± -</td></tr> <tr><td>ANGLES</td><td>± 2'</td></tr> </table>		0 PLC	± 0.3	1 PLC		± 0.25	2 PLC	± 0.20	3 PLC	± -	4 PLC	± -	ANGLES	± 2'	NAME	
0 PLC	± 0.3															
1 PLC	± 0.25															
2 PLC	± 0.20															
3 PLC	± -															
4 PLC	± -															
ANGLES	± 2'															
MATERIAL		PRODUCT SPEC		108-60131	SIZE	CAGE CODE	DRAWING NO	RESTRICTED TO								
		APPLICATION SPEC		114-60032	A3	00779	C-2356318	-								
		WEIGHT		3.43	CUSTOMER DRAWING		SCALE	SHEET								
							1:1	1 of 3								
								REV C								

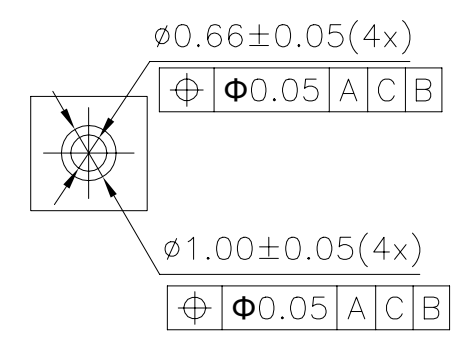
REVISIONS					
P	LTR	DESCRIPTION	DATE	DWN	APVD
-	-	SEE SHEET 1	-	-	-



RECOMMENDED PCB LAYOUT



DETAIL E SCALE 2.5:1



DETAIL F SCALE 2.5:1

- NOTES:
- 1.RECOMMENDED SPACING BETWEEN ADJACENT CONNECTORS IS 19.05mm
  - 2.RECOMMENDED PCB THICKNESS:1.57mm Min
  - 3.DATUM "A" ESTABLISHED FROM TOP SURFACE OF PCB

THIS DRAWING IS A CONTROLLED DOCUMENT.		DWN	LEOLI	07MAY2019	<b>TE Connectivity Ltd.</b>	
		CHK	DAVID ZHANG	07MAY2019		
		APVD	DAVID ZHANG	07MAY2019	NAME	
		PRODUCT SPEC			SLIMLINE SAS X8 REC VERTICAL	
		APPLICATION SPEC			-	
		WEIGHT			RESTRICTED TO	
		CUSTOMER DRAWING			-	
		SIZE	A3	CAGE CODE	00779	DRAWING NO
				C=2356318		SCALE
				SHEET		2 of 3
				REV		C

4

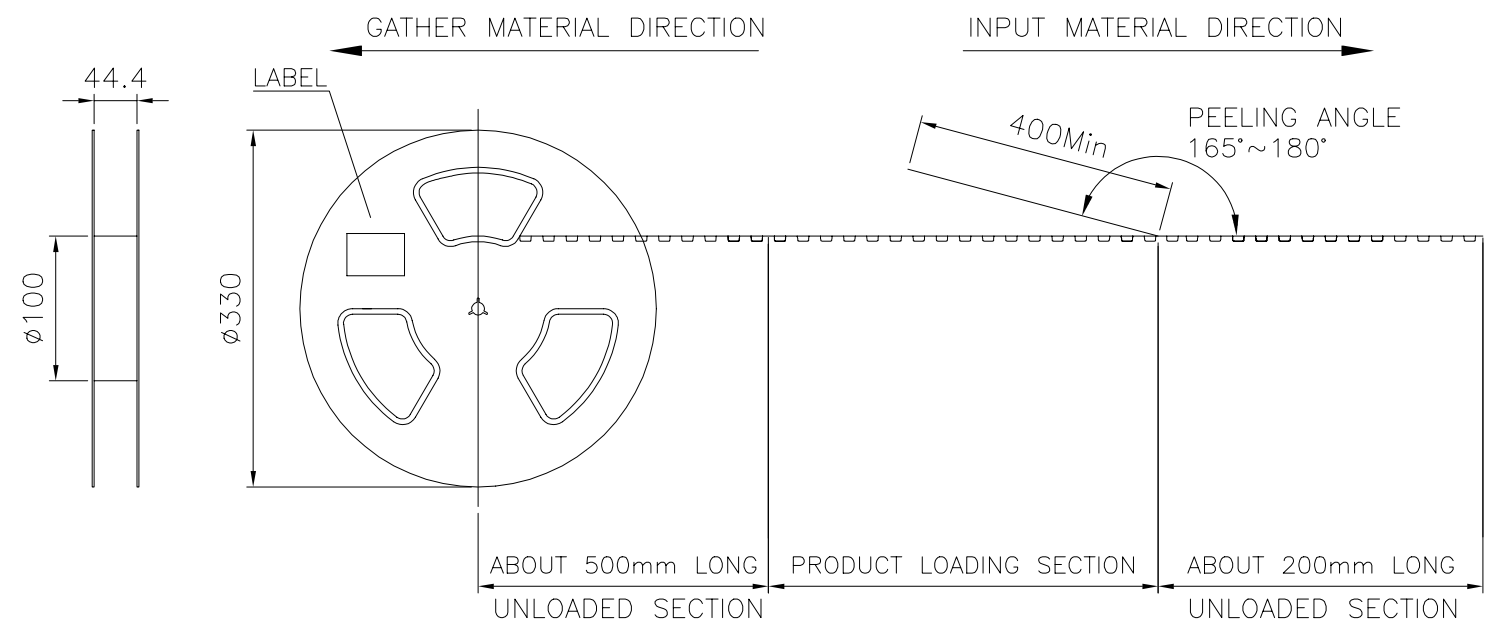
3

2

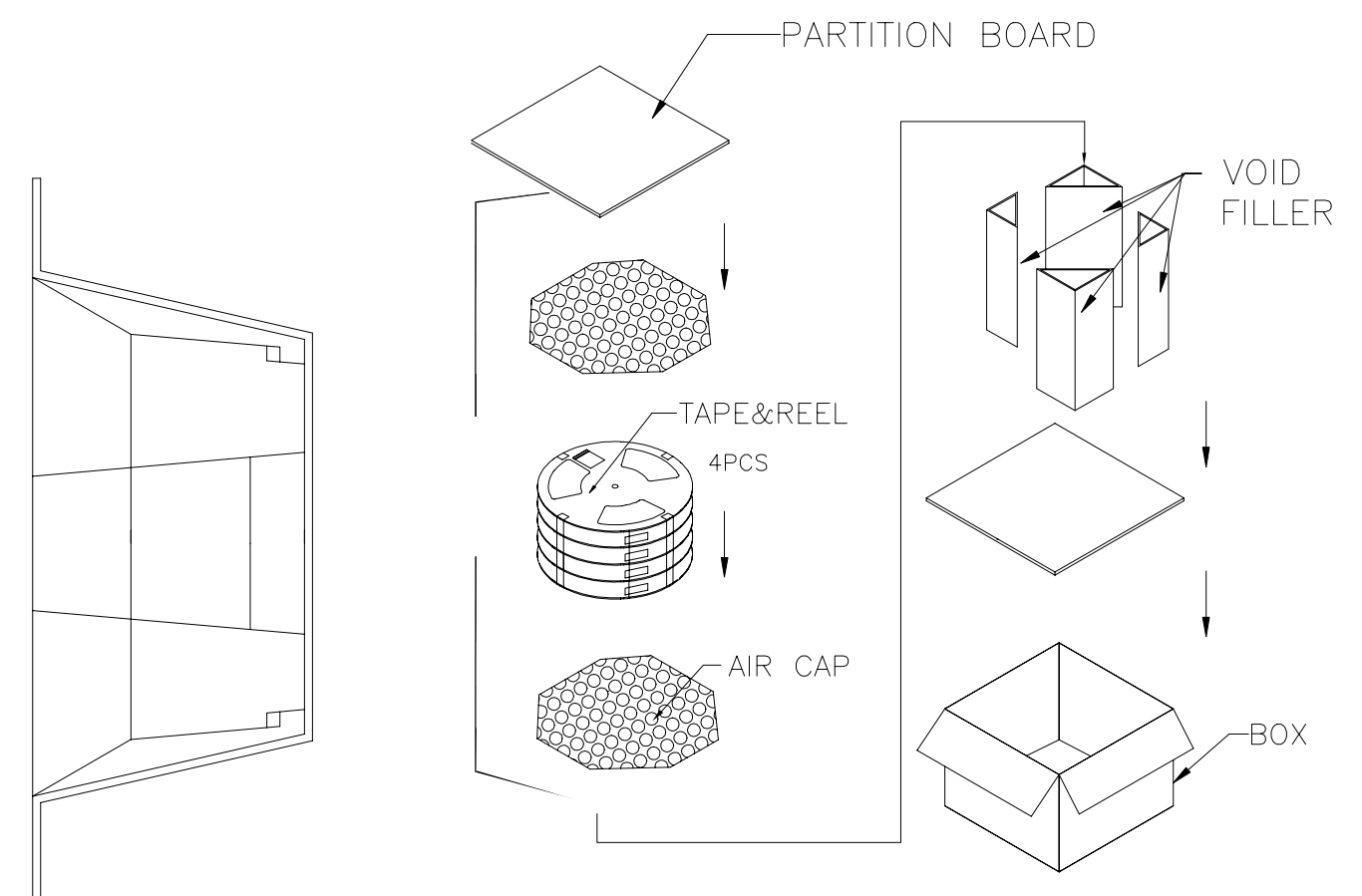
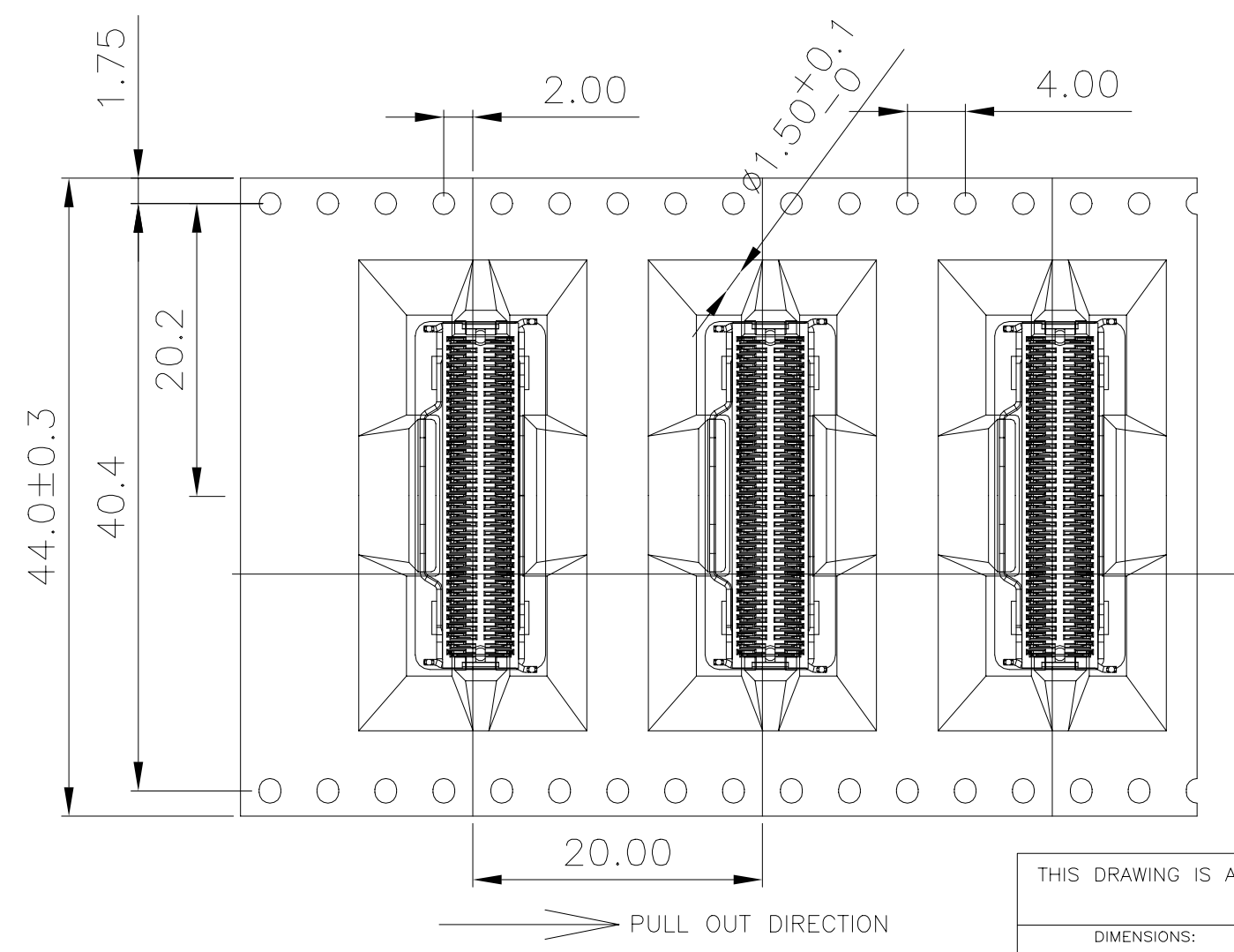
1

© - TE Connectivity. All Rights Reserved.

REVISIONS					
P	LTR	DESCRIPTION	DATE	DWN	APVD
-	-	SEE SHEET 1	-	-	-



- MATERIAL:  
COVER TAPE: PET, COLOR: CLEAR  
CARRIER TAPE: PET  
REEL: PS  
SHIPPING BOX; CORRUGATED FIBER
- DIMENSION:  
REEL: SEE DRAWING  
BOX: 335X335X223mm
- QUANTITY: SEE TABLE



TABLE

PART No.	PCS/REEL	REEL/CARTON	PCS/CARTON
2356318-2	120	4	480
2356318-1	120	4	480

THIS DRAWING IS A CONTROLLED DOCUMENT.

DIMENSIONS: mm	TOLERANCES UNLESS OTHERWISE SPECIFIED:
	0 PLC ± 0.3 1 PLC ± 0.25 2 PLC ± 0.20 3 PLC ± - 4 PLC ± - ANGLES ± 2'
MATERIAL	FINISH
-	-

DWN	LEOLI	07MAY2019	TE Connectivity Ltd.		
CHK	DAVID ZHANG	07MAY2019			
APVD	DAVID ZHANG	07MAY2019	NAME		
PRODUCT SPEC			SLIMLINE SAS X8 REC VERTICAL		
APPLICATION SPEC			-		
WEIGHT			SIZE	CAGE CODE	DRAWING NO
3.43			A3	00779	C=2356318
CUSTOMER DRAWING			RESTRICTED TO	-	
SCALE			SHEET	REV	
1:1			3 of 3	C	