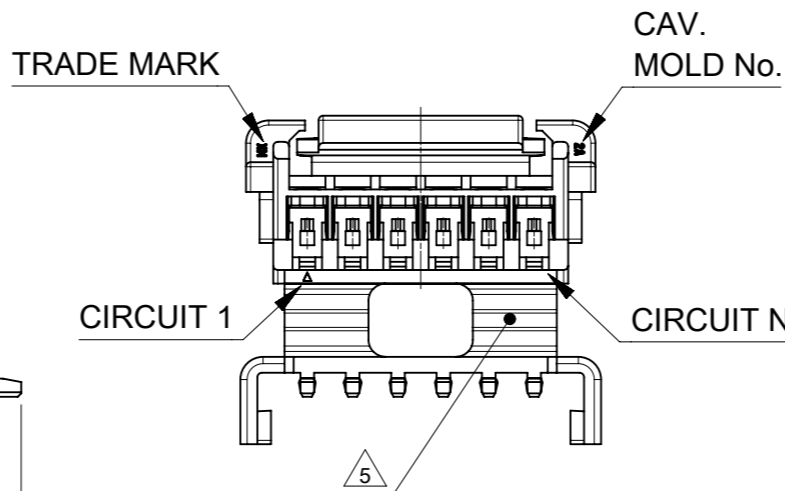
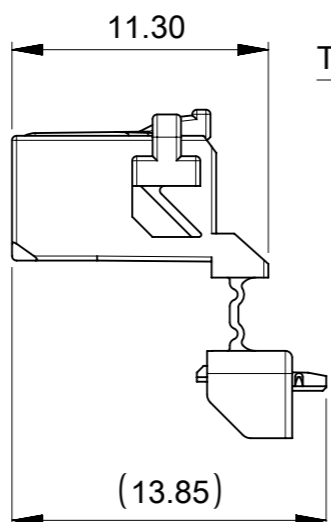
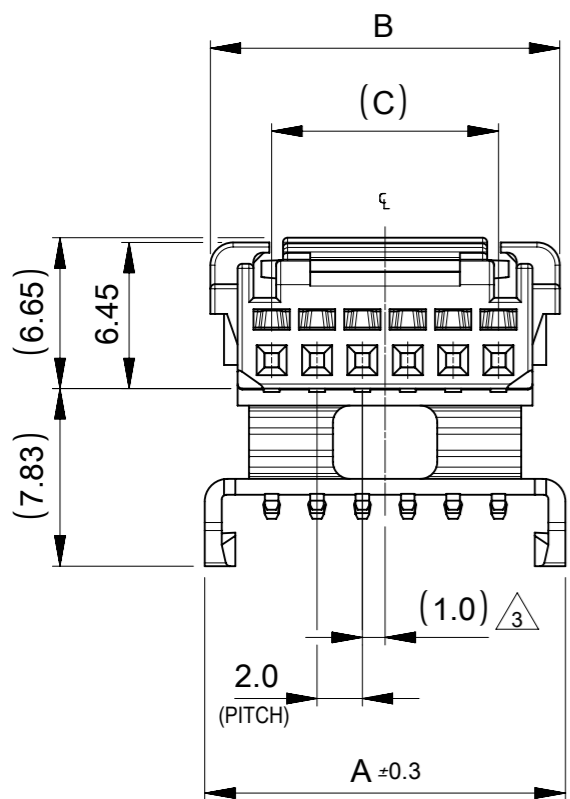
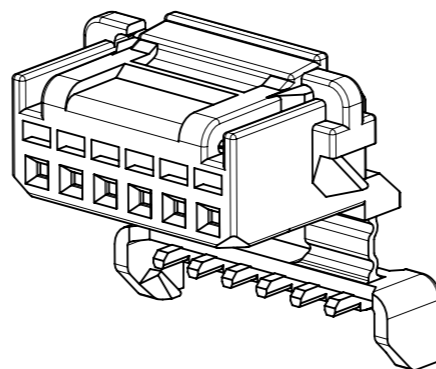
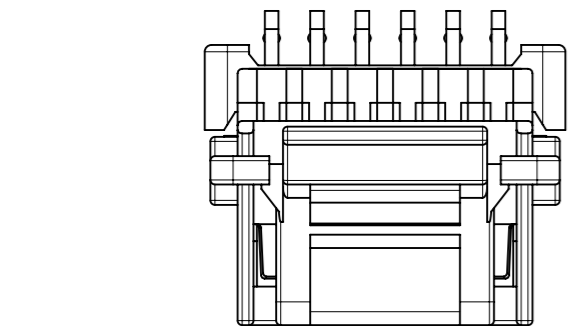


NOTES

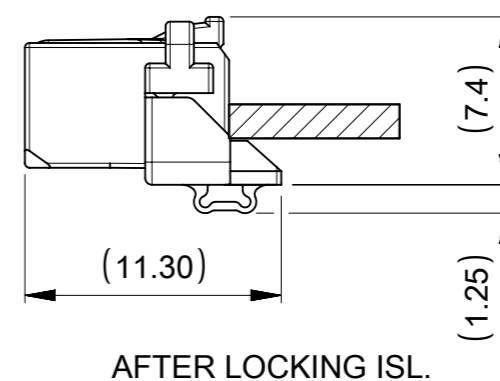
- ① 材料：TABLE 1 参照  
MATERIAL：SEE TABLE 1  
製品仕様書、アプリケーション仕様書、適応嵌合相手、
- ② 適応ターミナルはSHEET 2を御参照下さい  
PLEASE REFER TO SHEET 2 FOR PRODUCT SPECIFICATION, APPLICATION SPECIFICATION, APPLY MATE PARTNER, APPLY TERMINAL.
- ③ 極数/2 = 偶数に適応  
APPLY FOR CIRCUIT SIZE / 2 =EVEN
- 4. 本製品のプラスチック部に黒点・白点等が確認される場合や色合いが異なる場合がありますが、製品性能に影響はありません。  
THERE IS NO INFLUENCE IN THE PRODUCT PERFORMANCE THOUGH THE BLACK AND WHITE SPOT ETC. MIGHT BE CONFIRMED TO THE PLASTIC PART OF THIS PRODUCT AND THE SHADE MIGHT BE DIFFERENT.
- ⑤ ISL (INDEPENDENT SECONDARY LOCK) 取り扱い上の注意:SHEET 2 参照  
(INDEPENDENT SECONDARY LOCK) : SEE SHEET2
- 6. この製品はGlow Wire適合品です。  
THIS PRODUCT IS A GLOW WIRE COMPLIANT.
- ⑦ 発注番号：SHEET 2 参照  
ORDER No. : PLEASE REFER TO SHEET 2 FOR PRODUCT LIST.



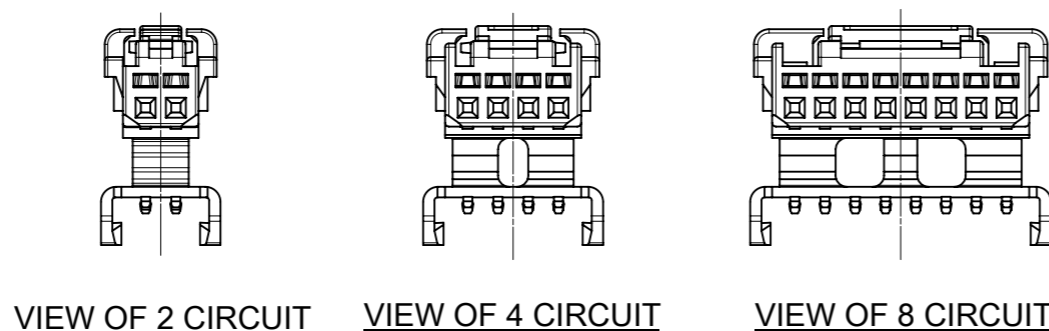
205979 2\*\*\*

極数  
CIRCUIT SIZE

ハウジングカラー HOUSING COLOR
0 : NATURAL(BEIGE)
1 : BLACK



14	19.4	19.9	8
12	17.4	17.9	7
10	15.4	15.9	6
8	13.4	13.9	5
6	11.4	11.9	4
4	9.4	9.9	3
2	7.4	7.9	2
C	B	A	極数 CIRCUIT SIZE



① TABLE1

部品 PART	材質 MATERIAL
ハウジング HOUSING	ポリアミド(PA),UL94V-0, 色 : SEE CHART POLYAMIDE(PA),UL94V-0, COLOR : SEE CHART
DOCUMENT STATUS	P1 RELEASE DATE 2020/12/15 05:07:49

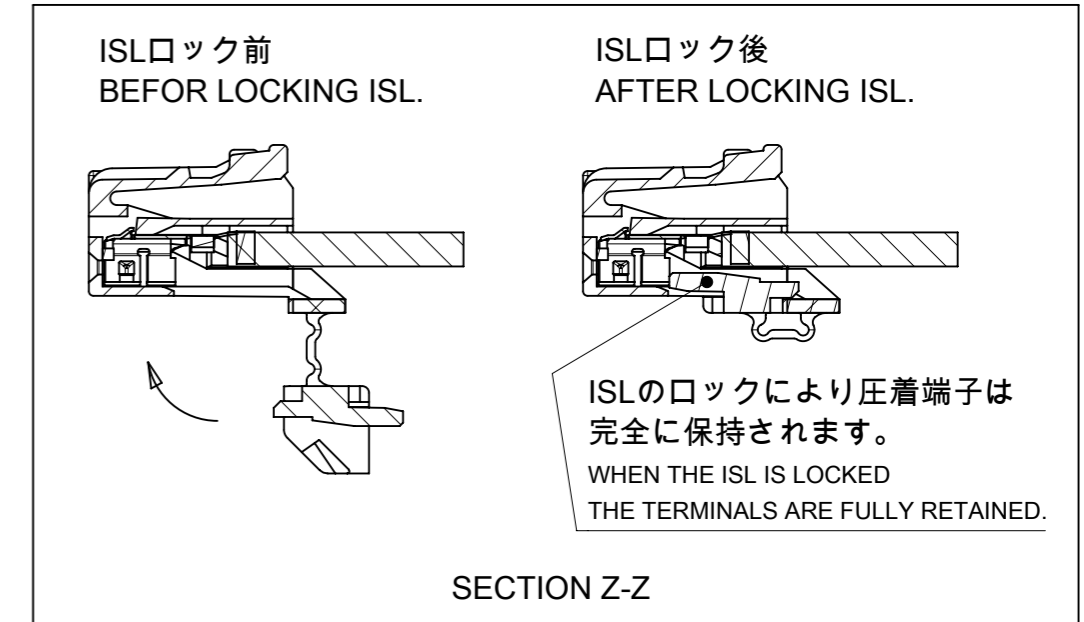
THIS DRAWING CONTAINS INFORMATION THAT IS PROPRIETARY TO MOLEX ELECTRONIC TECHNOLOGIES, LLC AND SHOULD NOT BE USED WITHOUT WRITTEN PERMISSION		CURRENT REV DESC:		<b>molex</b>	
DIMENSION UNITS mm	SCALE NTS	EC NO: 651228 DRWN: KYAMADA02 2020/12/10 CHK'D: AIDA 2020/12/15 APPR: SAKIYAMA 2020/12/15			
GENERAL TOLERANCES (UNLESS SPECIFIED)		INITIAL REVISION:		MICRO-ONE 2.0W/B ISL TYPE RECEPTACLE HOUSING	
ANGULAR TOL ± 3.0 °		DRWN: TGREGORI 2018/02/16 APPR: SAKIYAMA 2020/07/10		PRODUCT CUSTOMER DRAWING	
4 PLACES ± 0.2		DOCUMENT NUMBER		DOC TYPE	DOC PART REVISION
3 PLACES ± 0.2		2059790000-SD		PSD	000 C
2 PLACES ± 0.2		MATERIAL NUMBER		CUSTOMER	
1 PLACE ± 0.2		SEE TABLE		GENERAL	
0 PLACES ± 0.2		SERIES		SHEET NUMBER	
DRAFT WHERE APPLICABLE MUST REMAIN WITHIN DIMENSIONS		THIRD ANGLE PROJECTION	DRAWING	SERIES	205979
		A3-SIZE		1 OF 2	

## △ 適合製品及び各種仕様書

### APPLICABLE PRODUCTS AND VARIOUS SPECIFICATIONS

梱包仕様書 PACKING SPECIFICATION	PART NUMBER		SPECIFICATION NUMBER	
	2059792***		2059799200-SPK	
適合端子 APPLY TERMINAL	PART NUMBER	PLATING TYPE	WIRE SIZE(AWG)	
	561349001	TIN	#22-#24	
561349002	#26-#28			
嵌合相手 APPLY MATE	SMT			
	TIN - BISMUTH PLATING			
	VERTICAL	VERTICAL (GIOW WIRE COMPLIANT)	RIGHT ANGLE	RIGHT ANGLE (GIOW WIRE COMPLIANT)
シリーズ番号 SERIES No.	205971	217063	205972	217064
製品仕様書 PRODUCT SPECIFICATION	2059790000-PS 000			
アプリケーション仕様書 APPLICATION SPECIFICATION	2059790000-AS 000			

製品嵌合図は各嵌合相手図面参照のこと  
MATING VIEW:REFER TO EACH "MATE WITH" PART DRAWING.



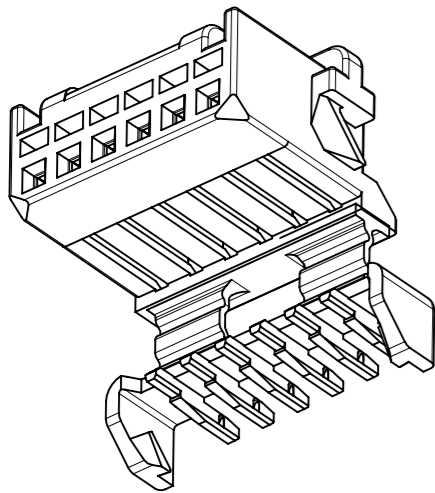
## △ 製品一覧 PRODUCTS LIST

HOUSING COLOR		
BLACK	NATURAL(BEIGE)	
2059792081	2059792080	8
↑ 2071	↑ 2070	7
2061	2060	6
2051	2050	5
2041	2040	4
↓ 2031	↓ 2030	3
2059792021	2059792020	2
発注番号 : ORDER No.		極数 CIRCUIT No.
梱包形態 : ポリ袋 PACKAGE : POLYBAG		

## △ ISL取り扱い上のご注意

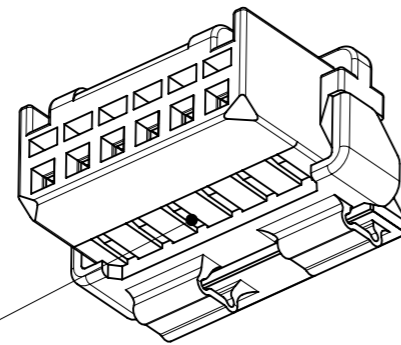
### HANDLING PRECAUTIONS FOR ISL (INDEPENDENT SECONDARY LOCK)

FIGURE OF BEFORE LOCKING ISL.  
(ISLロック前)  
(ISL BEFORE ASSEMBLED.)



(出荷状態 SHIPPING CONDITION)

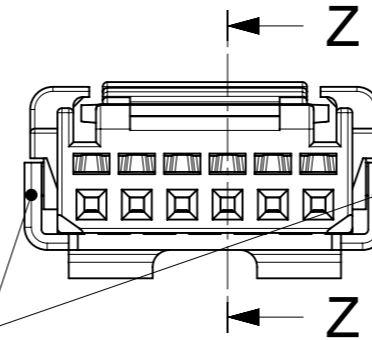
FIGURE OF AFTER LOCKING ISL.  
(ISLロック後)  
(AFTER ASSEMBLED.)



ISLのロック後にISLの先端が  
出ている事をご確認下さい。  
MAKE SURE THAT THE TIP OF THE ISL  
DOES NOT PROTRUDE AFTER THE ISL IS LOCKED.

\*圧着端子を装着後にロックします。

\*CLOSE THE ISL PORTION AFTER INSERTED THE  
CRIMP TERMINALS IN TO THE HOUSING.



ISLのロック後に両端のロックが  
完全に掛かっている事をご確認下さい。  
MAKE SURE THAT THE ISL LOCK  
IS FULLY LOCKED AT BOTH ENDS.

詳細はアプリケーション取り扱い仕様書"2059790000-AS 000"をご参照ください。  
FOR DETAILS, REFER TO THE APPLICATION SPECIFICATION "2059790000-AS 000".

THIS DRAWING CONTAINS INFORMATION THAT IS PROPRIETARY TO MOLEX ELECTRONIC TECHNOLOGIES, LLC AND SHOULD NOT BE USED WITHOUT WRITTEN PERMISSION									
DIMENSION UNITS	SCALE	CURRENT REV DESC:							
mm	NTS	 MICRO-ONE 2.0W/B ISL TYPE RECEPTACLE HOUSING PRODUCT CUSTOMER DRAWING DOCUMENT NUMBER: 2059790000-SD DOC TYPE: PSD DOC PART: 000 REVISION: C SHEET NUMBER: 2 OF 2							
GENERAL TOLERANCES (UNLESS SPECIFIED)									
ANGULAR TOL	± °								
4 PLACES	±								
3 PLACES	±								
2 PLACES	±								
1 PLACE	±	EC NO: 651228	DRWN: KYAMADA02	2020/12/10					
0 PLACES	±	CHK'D: AIDA	2020/12/15						
DRAFT WHERE APPLICABLE MUST REMAIN WITHIN DIMENSIONS		THIRD ANGLE PROJECTION	DRAWING	SERIES	MATERIAL NUMBER	CUSTOMER			
			A3-SIZE	205979	SEE TABLE	GENERAL			