

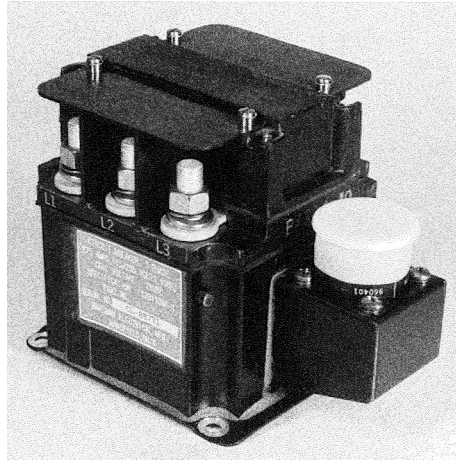
---

**B-484 Series, Rated up to 500 Amps, 115/200 VAC, 400 Hz**

---

**Product Facts**

- 3PDT, Magnetic latching
- Gasket sealed
- Auxiliary contacts available
- Meets many requirements of MIL-PRF-6106

**Performance Data****Electrical Characteristics**

**Contact Arrangement** — 3PDT, Magnetic Latching

**Rated Operating Voltage** — 115/200 VAC, 400 Hz, 3 phase

**Resistive Rating, Continuous** — 500 Amps

**Inductive Rating** — 500 Amps

**Interrupt Rating** — 6,500 Amps

**General Characteristics**

**Temperature Range** — -54°C to +71°C

**Operating Cycles (Life) at Rated Resistive Load, Min.** — 50,000 cycles

**Operating Cycles (Life) Mechanical, Min.** — 100,000 cycles

**Dielectric Strength** — All Circuits to Ground — 1,500 Vrms  
Circuit to Circuit — 1,500 Vrms  
Coil to Ground and Aux. Contacts — 1,000 Vrms

**Insulation Resistance, Initial** — 100 megohm min.

**Altitude** — 45,000 ft.

**Weight, Max.** — 4.5 lbs

**Coil Characteristics**

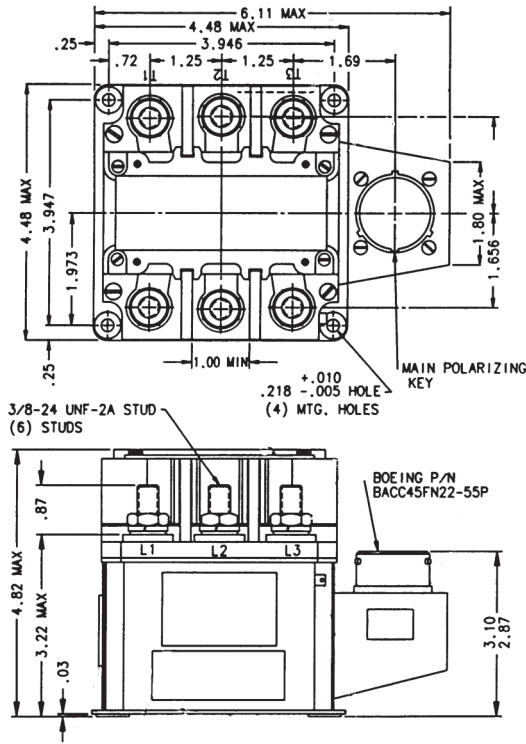
**Duty Cycle** — Continuous, self-deenergizing

**Close Voltage** — Min. — 15 Vdc  
Max. — 29 Vdc

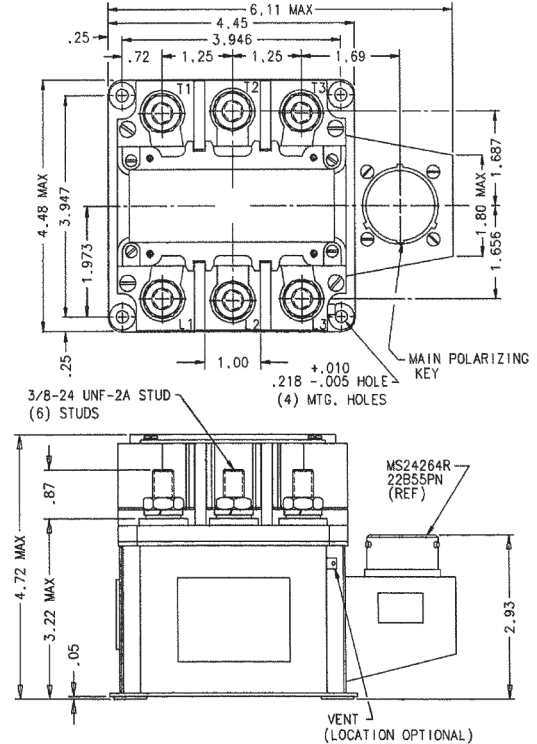
**Trip Voltage** — Min. — 15 Vdc  
Max. — 29 Vdc

For factory-direct application assistance, phone 419-521-9500 or fax 419-526-2749.

**B-484 Series, Rated up to 500 Amps, 115/200 VAC, 400 Hz (Continued)**

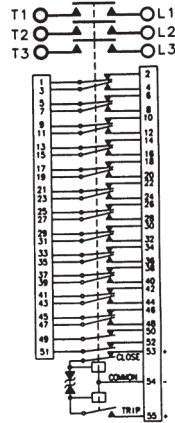


Mounting Style A



Mounting Style B

**Circuit Configurations (Consult factory for other available circuit configurations)**



Circuit Configuration 1

| HARTMAN Part Number | Construction Type | Mounting Style | Coil Type                     | Circuit Config. | TE Part Number |
|---------------------|-------------------|----------------|-------------------------------|-----------------|----------------|
| B-484               | Gasket/Vented     | A              | Continuous, Self-Deenergizing | 1               | 1616023-4      |
| B-484C              | Gasket/Vented     | B              | Continuous, Self-Deenergizing | 1               | 1616023-5      |

For factory-direct application assistance, phone 419-521-9500 or fax 419-526-2749.