

MATERIAL NO.	ENGINEERING NO.	FINISHED LENGTH
1300120382	339020A01F030	3 FT (0.91 M)
1300120399	339020A01F300	30 FT (9.14 M)
1300120409	339020A01F750	75 FT (22.86 M)

**CABLE LENGTH TOLERANCES**

<.3M [1FT]: +19mm-0 [ +.75in-0]

.3 - .9M [1 - 3FT]: +44.5mm-0 [+1.75in-0]

.9 - 1.8M [3 - 6FT]: +55.6mm-0 [+2.19in-0]

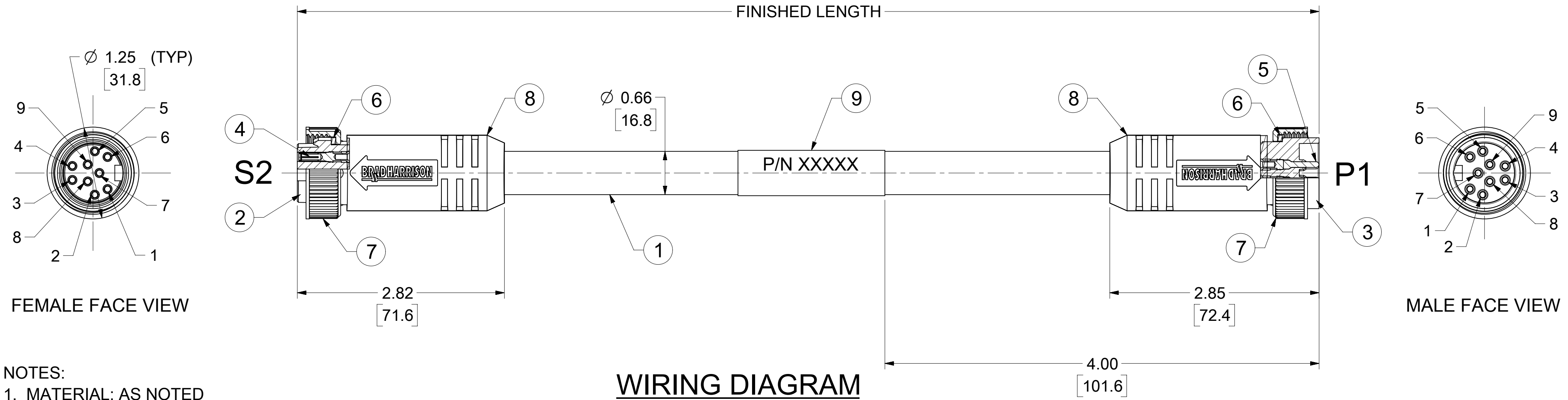
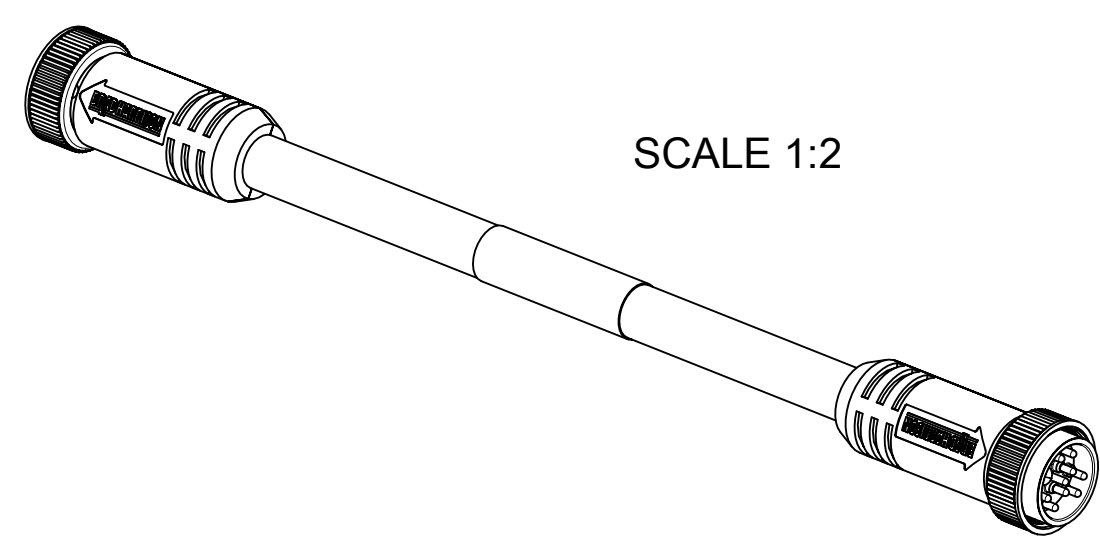
1.8 - 3.7M [6 - 12FT]: +88.9mm-0 [+3.50in-0]

3.7 - 7.3M [12 - 24FT]: +165.1mm-0 [+6.50in-0]

7.3-14.6M [24 - 48FT]: +317.5mm-0 [+12.50in-0]

14.6 - 30.5M [48-100FT]: +622.3mm-0 [+24.50in-0]

OVER 30M [100FT] +2% OF FINISHED LENGTH



- NOTES:**
- MATERIAL: AS NOTED
  - FINISH: AS NOTED
  - ELECTRICAL:  
VOLTAGE: 320V PER IEC60664  
600V PER UL2238  
CURRENT: 7A
  - TEMP RATING: -20°C TO +105°C
  - PROTECTION: IP67 (WHEN MATED)
  - CSA CERTIFIED FILE: LR6837
  - UL RECOGNIZED FILE: E152210
  - COUPLING THREAD: 1 1/8"-16UN
  - ASSEMBLY IS ROHS COMPLIANT
  - ALL DIMS ARE FOR REFERENCE UNLESS TOLERANCED OR NOTED OTHERWISE

**WIRING DIAGRAM**

S2		P1	
1	ORANGE	1	
2	BLUE	2	
3	RED/BLACK	3	
4	GREEN/BLACK	4	
5	WHITE	5	
6	RED	6	
7	GREEN/YELLOW	7	
8	WHITE/BLACK	8	
9	BLACK	9	

**PART NUMBER LEGEND**

339020A01F030

FINISHED LENGTH  
F001= .1 FT  
F020= 2 FT  
F200= 20 FT

9	WRAP LABEL	VINYL	BLACK/YELLOW
8	OVERMOLD	TPE	YELLOW
7	COUPLING NUT	ZINC DIE CAST	BLACK E-COAT
6	FRICITION RING	NYLON	WHITE
5	PIN CONTACT	Cu ALLOY	GOLD OVER NICKEL
4	SOCKET CONTACT	Cu ALLOY	GOLD OVER NICKEL
3	MALE INSERT	TPE	YELLOW
2	FEMALE INSERT	TPE	YELLOW
1	#16-9 CABLE, STOOV/ST	PVC JACKET	YELLOW
ITEM	DESCRIPTION	MATERIAL	FINISH

FUNCTIONAL SYMBOLS										THIS DRAWING CONTAINS INFORMATION THAT IS PROPRIETARY TO MOLEX ELECTRONIC TECHNOLOGIES, LLC AND SHOULD NOT BE USED WITHOUT WRITTEN PERMISSION									
DIMENSION UNITS					SCALE					CURRENT REV DESC: UPDATED ITEM #2,3,8,9, MATERIAL P/N TABLE. ADDED CSA, UL, IEC VOLT, TEMP RATING, IP RATING, TOL.CHART & PART NUMBER LEGEND									
mm					1:1					EC NO: 701162									
GENERAL TOLERANCES (UNLESS SPECIFIED)										DRWN: AKABADI 2021/11/15									
4 PLACES ±					MM					CHK'D: RSTONE 2022/03/30									
3 PLACES ±					INCH					APPR: BWOODMAN 2022/04/08									
2 PLACES ±					INITIAL REVISION:					DOCUMENT NUMBER									
1 PLACE ±					DRWN: RSTONE 2009/03/26					SD-130012-001									
0 PLACES ±					APPR: JFMURPHY 2009/04/01					DOC TYPE   DOC PART   REVISION									
ANGULAR TOL ± °					THIRD ANGLE PROJECTION					MATERIAL NUMBER									
DRAFT WHERE APPLICABLE MUST REMAIN WITHIN DIMENSIONS					DRAWING					CUSTOMER									
					C-SIZE					GENERAL MARKET									
					SERIES					SHEET NUMBER									
					130012					1 OF 1									