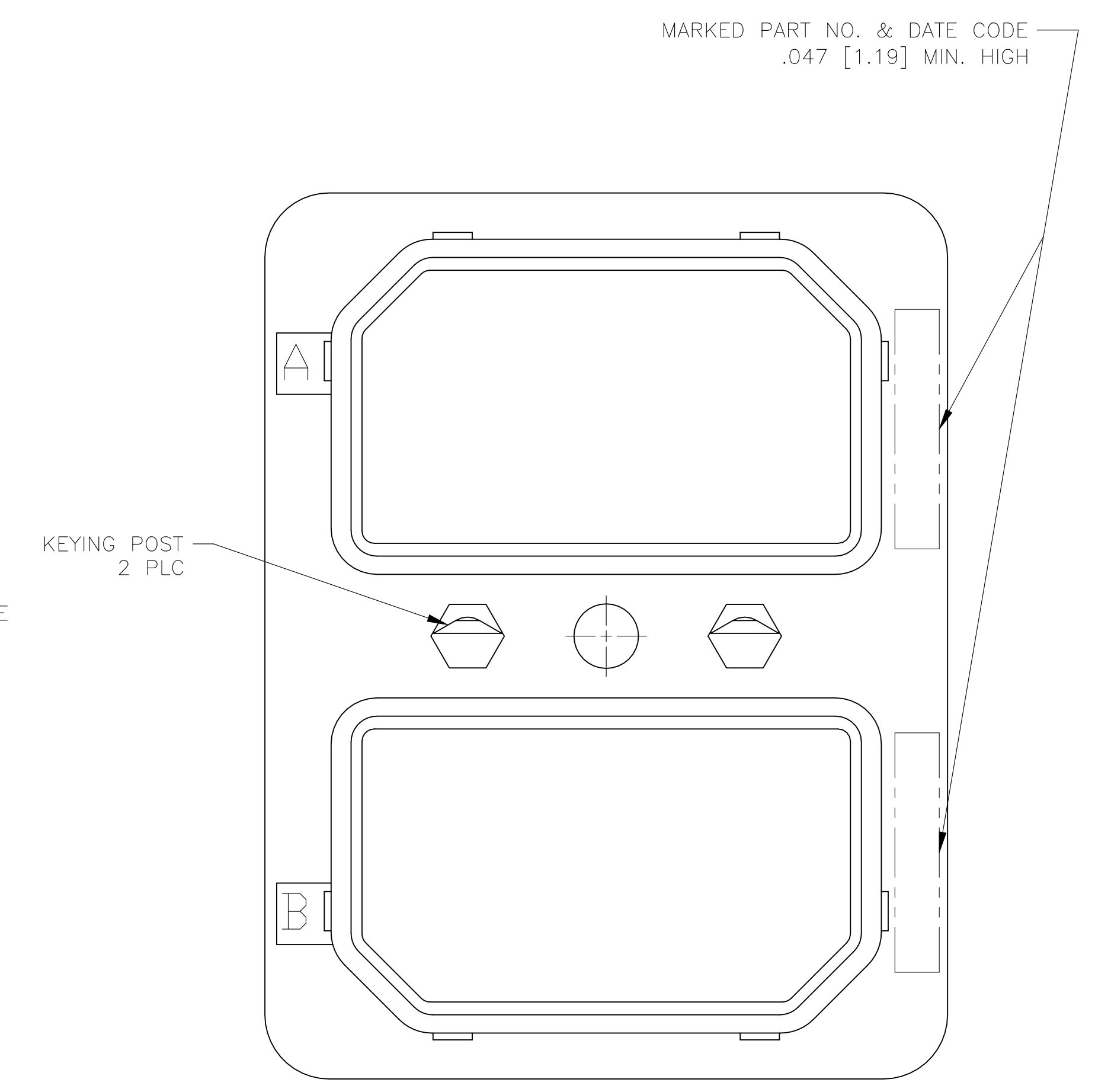
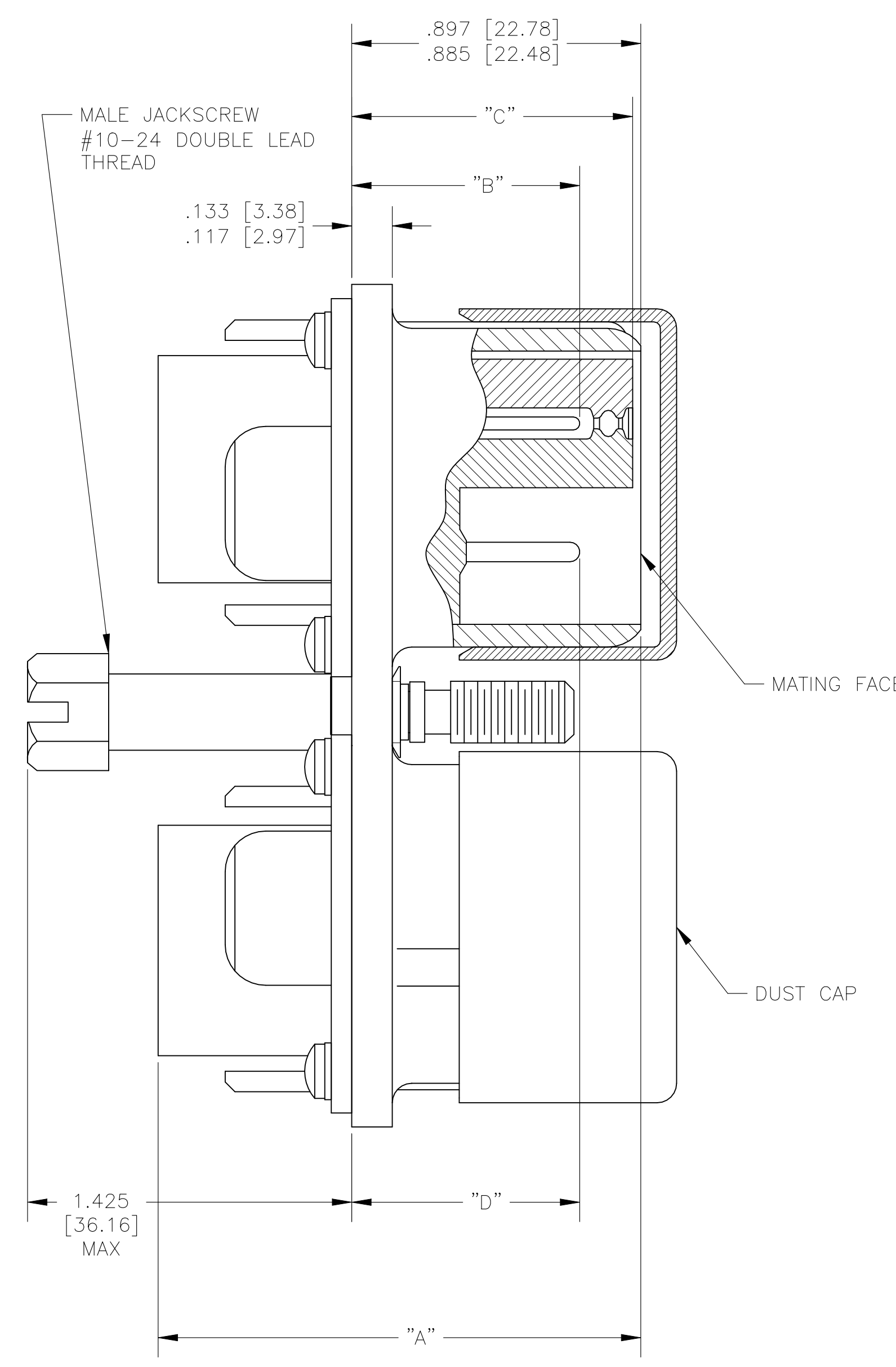
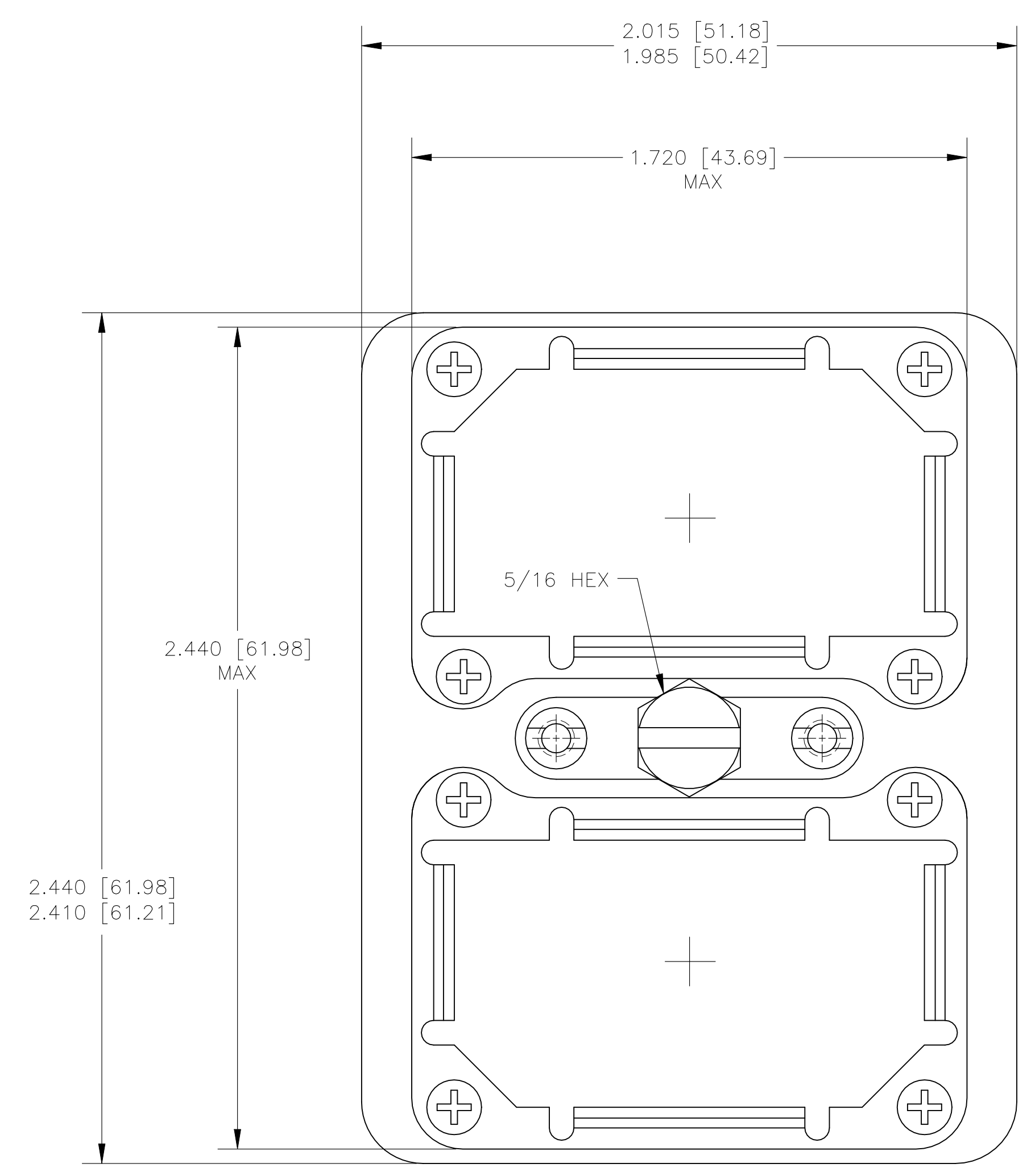


REVISIONS					
P	LTR	DESCRIPTION	DATE	DWN	APVD
S		REVISED PER ECO 20-015430	5-25-21	CT	RL



- MATERIAL & FINISH YELLOW CHROMATE
 SHELL: DIE CAST ALUM. ALLOY PER QQ-A-591 OR
 OR ASTM B211, 6061-T6/6511 OR ASTM B209
 2024-T4/T351
 FINISH: CAD. PLATED PER QQ-P-416, TYPE I, CLASS 2
 YELLOW CHROMATE CONVERSION.
 INSULATOR, HARD: EPOXY PER MIL-M-24325.
 INSULATOR, SOFT: FLUOROSILICONE RUBBER, COLOR: BLUE.
 GROMMET PROTECTOR: ALUM. ALLOY, FINISH: BLUE EPOXY.
 POLARIZING POST & NUTS: STAINLESS STEEL.
 MALE JACKSCREW: STAINLESS STEEL.
 SCREWS & WASHERS: STEEL, CAD. PLATED PER QQ-P-416.
 DUST CAP: CLEAR VINYL.

"B"				"C"				"D"			
22	20	16	12	22	20	16	12	22	20	16	12
.736	.827	.782	.793	.797	.893	.893	.893	.737	.700	.824	.824
[18.69]	[21.00]	[19.86]	[20.14]	[20.24]	[22.68]	[22.68]	[22.68]	[18.72]	[17.78]	[20.93]	[20.93]
.688	.769	.735	.746	.769	.865	.865	.865	.688	.585	.746	.746
[17.48]	[19.53]	[18.67]	[18.95]	[19.53]	[21.97]	[21.97]	[21.97]	[17.48]	[14.86]	[18.95]	[18.95]

CONTACTS SHOWN IN POSITION FOR ILLUSTRATION ONLY, ARE INCLUDED IN A CONTAINER WITHIN CONNECTOR PACKAGE FOR SHIPMENT, EXCEPT P/N'S 1-207596-1 THRU 2-207596-0.

- COAX CONTACTS & SEALING BOOTS MUST BE ORDERED SEPARATELY.
- FOR CONTACT SIZE 22 DIMENSION "B" REPRESENTS PIN CONTACTS & DIMENSION "D" REPRESENTS SOCKET CONTACTS.
- ALL METRIC DIMENSIONS ARE SHOWN IN PARENTHESIS.
- FOR MATING CONNECTOR SEE 207595.
- CONNECTORS ORDERED LESS CONTACTS WILL BE MARKED WITH SAME P/N AS CONNECTORS ORDERED WITH CONTACTS.

"A" MAX	INSERT ARRANGEMENT			
	26	32C2	67	106
1.541	1.625	1.425	1.541	
[39.14]	[41.28]	[36.20]	[39.14]	

PART NO.	ARRANGEMENT		PART NO. (LESS CONTACTS)	OBSOLETE
	IN MODULE "A"	IN MODULE "B"		
207596-1	<106S>	<67P>	1-207596-1	OBSOLETE
OBSOLETE 207596-2	<106S>	<26P>	1-207596-2	OBSOLETE
OBSOLETE 207596-3	<106S>	<106S>	1-207596-3	OBSOLETE
OBSOLETE 207596-4	<106S>	<106P>	1-207596-4	OBSOLETE
207596-5	<106P>	<106P>	1-207596-5	OBSOLETE
OBSOLETE 207596-6	<106P>	<26S>	1-207596-6	OBSOLETE
OBSOLETE 207596-7	<106P>	<67S>	1-207596-7	OBSOLETE
OBSOLETE 207596-8	<106P>	<67P>	1-207596-8	OBSOLETE
207596-9	<106P>	<32C2S>	1-207596-9	OBSOLETE
1-207596-0	<106S>	<32C2P>	2-207596-0	

THIS DRAWING IS A CONTROLLED DOCUMENT.		DIN 23-SEP-03	TE Connectivity
		23-SEP-03	
DIMENSIONS: INCHES		TOLERANCES UNLESS OTHERWISE SPECIFIED:	NAME
0 PLC ± - 1 PLC ± - 2 PLC ± - 3 PLC ± .005(0.13) 4 PLC ± - ANGLES ± -		APVD	PLUG CONNECTOR INSTALLATION (WITH CENTER MALE JACKSCREW)
MATERIAL		FINISH	SIZE
			00779
		WEIGHT	DRAWING NO
		0.000000	207596
		CUSTOMER DRAWING	RESTRICTED TO
		SCALE 3:1	SHEET 1 OF 1
			REV S