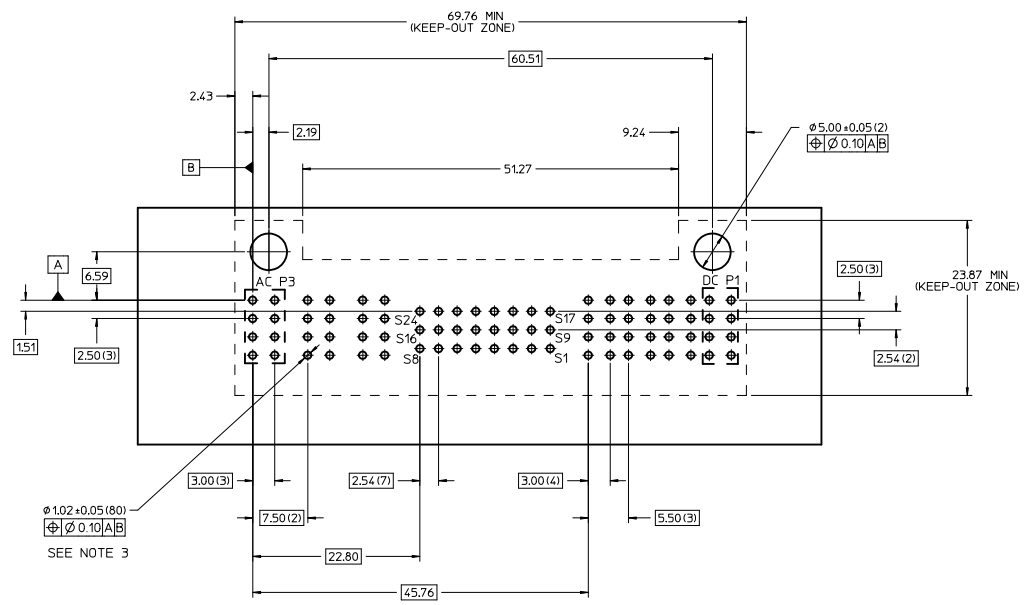
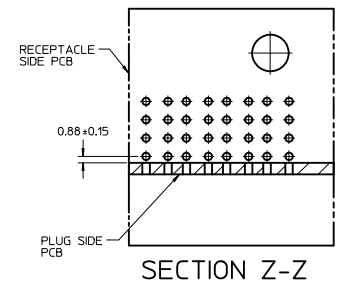
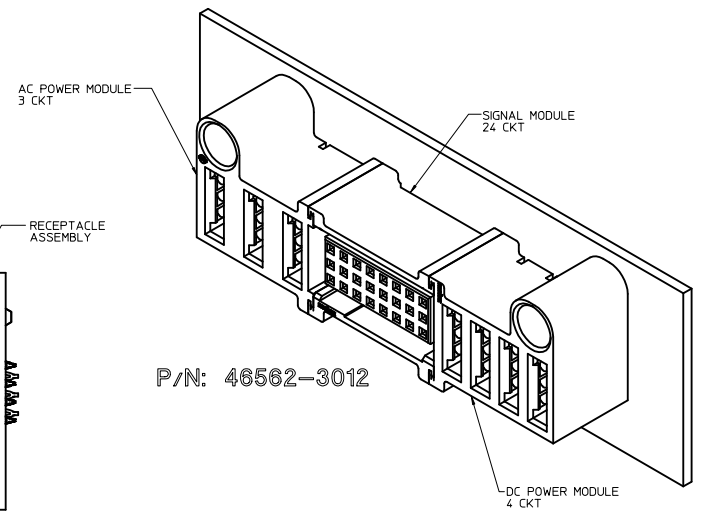
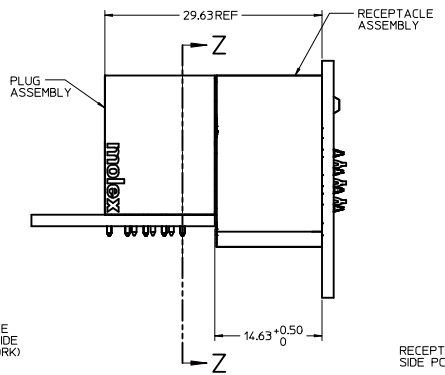
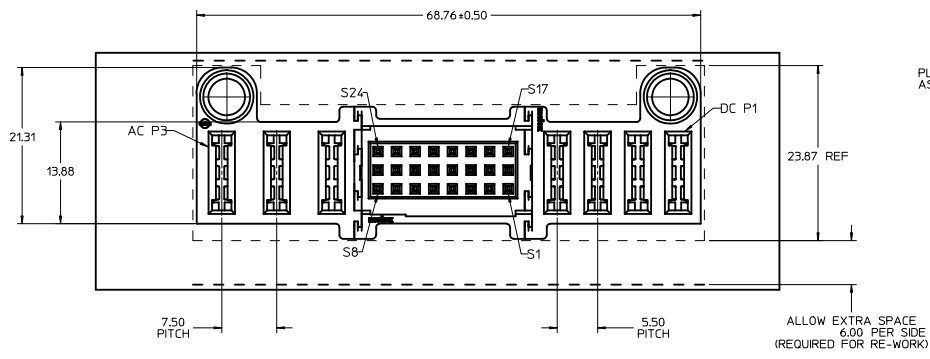
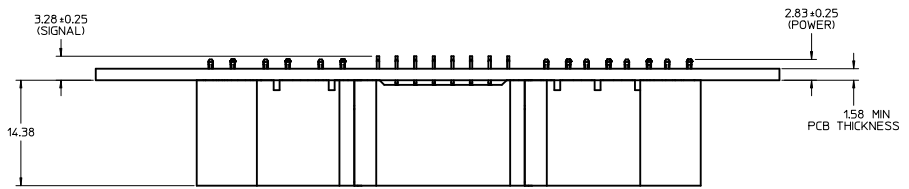


- NOTES:
- MATERIAL:
 - HOUSINGS: LCP UL94 V-0, COLOR: BLACK.
 - TERMINALS: COPPER ALLOY.
 - PLATING: 0.000127 NICKEL OVERALL WITH 0.00254 SELECTIVE TIN ON COMPLIANT PINS. AND 0.000762 SELECTIVE GOLD ON CONTACT AREA.
 - ASSEMBLIES PACKED IN TRAYS, SPO: TBD.
 - PC BOARD REQUIRES THRU HOLES, REFER TO PS-46436-100 FOR DETAILS.
 - PRODUCT SPEC: PS-46436-100.
 - APPLICATION SPEC: AS-46436-100.
 - PRODUCT TO MEET RoHS REQUIREMENTS.
 - ASSEMBLY MATES WITH PLUG ASSEMBLY, P/N 46437-3012.

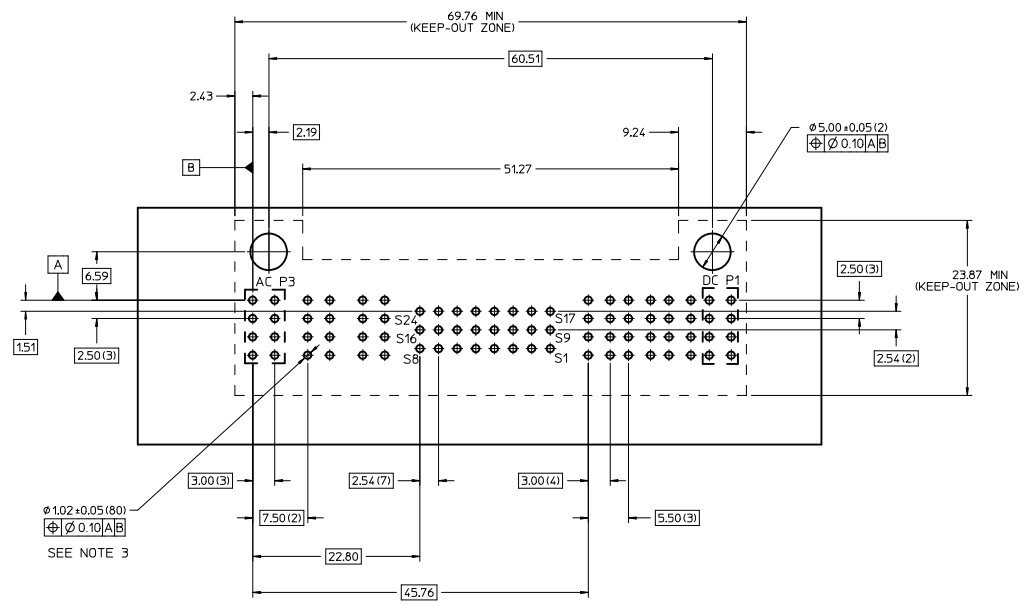


RECOMMENDED PCB LAYOUT AND KEEP-OUT ZONE

UPDATE DESCRIPTION EEC NO: UCP2010-1783 DRAWN: KARADIMAS 2010/01/22 CHK: LING 2010/02/08 APPROV: APATEL 2010/02/10 B1	QUALITY SYMBOLS DESCRIPTION	GENERAL TOLERANCES (UNLESS SPECIFIED): mm INCH 4 PLACES ±--- ±--- 3 PLACES ±--- ±--- 2 PLACES ±0.25 ±--- 1 PLACE ±0.25 ±--- ANGULAR ±1/2°	DIMENSION STYLE MM ONLY DRAWN BY DATE KJKOH 2009/03/11 CHECKED BY DATE LNG APPROVED BY DATE SHONG	SCALE 3:1 DESIGN UNITS METRIC THIRD ANGLE PROJECTION	TITLE VERT RECEPT ASSY TG-3AC-24S-4P-TG TEN60 PRESS-FIT	
		MATERIAL NO. 46562-3012 DOCUMENT NO. SD-46562-312		SHEET NO. 1 OF 1		
		DRAFT WHERE APPLICABLE MUST REMAIN WITHIN DIMENSIONS			THIS DRAWING CONTAINS INFORMATION THAT IS PROPRIETARY TO MOLEX INCORPORATED AND SHOULD NOT BE USED WITHOUT WRITTEN PERMISSION	
		MOLEX INCORPORATED		MOLEX INCORPORATED		



- NOTES:
- MATERIAL:
 - HOUSINGS: LCP UL94 V-0, COLOR: BLACK.
 - TERMINALS: COPPER ALLOY.
 - PLATING: 0.000127 NICKEL OVERALL WITH 0.00254 SELECTIVE TIN ON COMPLIANT PINS. AND 0.000762 SELECTIVE GOLD ON CONTACT AREA.
 - ASSEMBLIES PACKED IN TRAYS, SPO: TBD.
 - PC BOARD REQUIRES THRU HOLES, REFER TO PS-46436-100 FOR DETAILS.
 - PRODUCT SPEC: PS-46436-100.
 - APPLICATION SPEC: AS-46436-100.
 - PRODUCT TO MEET RoHS REQUIREMENTS.
 - ASSEMBLY MATES WITH PLUG ASSEMBLY, P/N 46437-3012.



RECOMMENDED PCB LAYOUT AND KEEP-OUT ZONE

UPDATE DESCRIPTION EEC NO: UCP2010-1783 DRAWN: KARADIMAS 2010/01/22 CHK: LING 2010/02/08 APPR: APATEL 2010/02/10 B1	QUALITY SYMBOLS DESCRIPTION	GENERAL TOLERANCES (UNLESS SPECIFIED): mm INCH 4 PLACES ±--- ±--- 3 PLACES ±--- ±--- 2 PLACES ±0.25 ±--- 1 PLACE ±0.25 ±--- ANGULAR ±1/2°	DIMENSION STYLE MM ONLY DRAWN BY DATE KJKOH 2009/03/11 CHECKED BY DATE LNG APPROVED BY DATE SHONG	SCALE 3:1 DESIGN UNITS METRIC THIRD ANGLE PROJECTION	TITLE VERT RECEPT ASSY TG-3AC-24S-4P-TG TEN60 PRESS-FIT B1	
		MATERIAL NO. 46562-3012	DOCUMENT NO. SD-46562-312	SHEET NO. 1 OF 1		
		DRAFT WHERE APPLICABLE MUST REMAIN WITHIN DIMENSIONS			MOLEX INCORPORATED	
		THIS DRAWING CONTAINS INFORMATION THAT IS PROPRIETARY TO MOLEX INCORPORATED AND SHOULD NOT BE USED WITHOUT WRITTEN PERMISSION			MOLEX INCORPORATED	