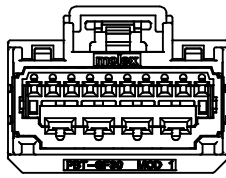
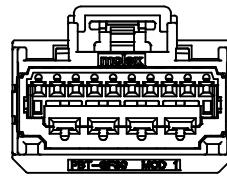


POLARIZATION OPTION "A"
P/N: 34927-0140



POLARIZATION OPTION "B"
P/N: 34927-0141



POLARIZATION OPTION "C"
P/N: 34927-0142

MOLEX ASSEMBLY PART NO.'S	MATING COMPONENT	
	VERTICAL HEADER	RIGHT ANGLE HEADER
34927-0140	34772-0140	34773-0140
34927-0141	34772-0141	34773-0141
34927-0142	34772-0142	34773-0142

ITEM	DESCRIPTION	COLOR	MOLEX COMPONENTS PART NO.	RECYCLING CODE	WEIGHT	NO OF ITEMS REQUIRED	
1	FEMALE HOUSING POL A	BLACK	34927-3140	PBT-GF30	7.24g	1	
2	FEMALE HOUSING POL B	GRAY	34927-3141	PBT-GF30	7.24g		1
3	FEMALE HOUSING POL C	BROWN	34927-3142	PBT-GF30	7.24g		1
3	TPA	NATURAL	34927-1200	PBT-GF30	1.14g	1	1

ITEM	APPLICABLE COMPONENTS		APPLICABLE WIRE SIZE		
	DESCRIPTION	TYPE	SUPPLIER COMPONENTS PART NO.	WIRE GAGE	MAXIMUM INSULATION DIAMETER
1	TYCO 0.64 TERMINAL	Sn	1456574-1	20/22 AWG	1.85 mm
2		Sn	1456574-2	18 AWG	2.06 mm
3		Sn	1326030-4	10/12 AWG	4.04 mm
4	TYCO 2.8 TERMINAL	Sn	1326030-3	14/16 AWG	2.69 mm
5		Sn	1326030-2	18/20 AWG	2.06 mm
6		Sn	1326030-1	22 AWG	1.65 mm
7	YAZAKI 2.8 TERMINAL	Sn	7116-4112-02	14 AWG	2.69mm
8		Sn	7116-4111-02	16/18 AWG	2.34mm
9		Sn	7116-4110-02	20/22 AWG	1.85mm



ISOMETRIC VIEWS
SCALE 1:1
(POLARITY A SHOWN)

NOTES: VALID UNLESS OTHERWISE SPECIFIED

1. GENERAL:

- a. APPLICATION SPECIFICATION SEE: AS-34729-020
- b. PRODUCT SPECIFICATION SEE: PS-34969-100
- c. PACKAGING SPECIFICATION PER MOLEX DRAWING: PK-31301-211
- d. PARTS MUST BE IN COMPLIANCE TO MOLEX CHEMICAL SUBSTANCES FOR PRODUCTS AND PACKAGING SPECIFICATION: PS-40000-5015
- e. DATA MUST BE SUBMITTED UNDER THE MOLEX PART NUMBER TO IMDS (COMPANY ID#13255)

2. DESIGN - MATERIALS:

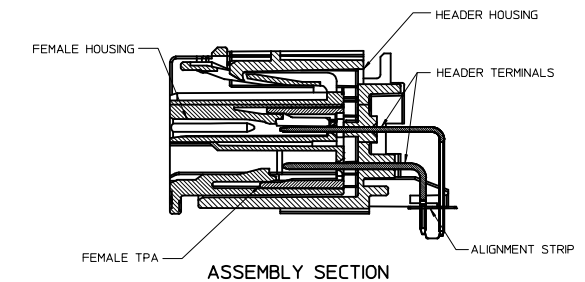
- a. SEE BOM TABLE

3. DESIGN - GEOMETRY:

- a. THIS IS A 100% CAD GENERATED PART. THE CAD MATHEMATICAL DATA IS THE MASTER FOR THIS PART. FOR DIMENSIONAL OR ANY INFORMATION NOT SHOWN ON THIS DRAWING, ANALYZE THE CAD MODEL.
- b. GEOMETRIC DIMENSIONS AND TOLERANCES PER ASME Y14.5M - 1994
- c. EDGES AND UNDIMENSIONED DETAILS PER ISO13715
- d. CORNERS SHOWN AS SHARP TO BE R 0.2 MAX.
- e. LETTERING SHALL BE 0.15 MAX RAISED IN 0.25 MAX RECESS PAD. THIS INCLUDES RECYCLING CODE, CAVITY ID, VENDOR IDENTIFICATION, AND CUSTOMER MATERIAL NUMBER.
- f. VISUAL DEFECTS SHALL MEET COSMETIC STANDARD PS-45499-002 (Class B)

4. DESIGN - MANUFACTURING:

- a. TPAs MAY BECOME SEATED DURING TRANSIT. IF THIS OCCURS, REFERENCE MOLEX PRODUCT SPECIFICATION PS-34646-001

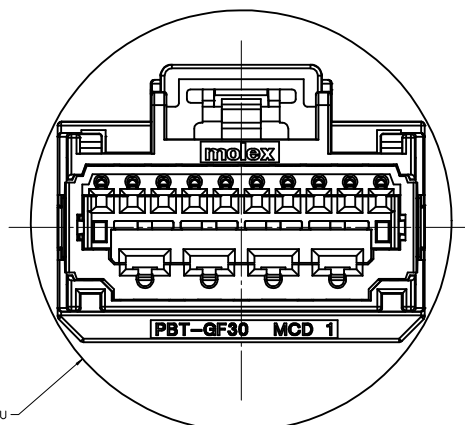
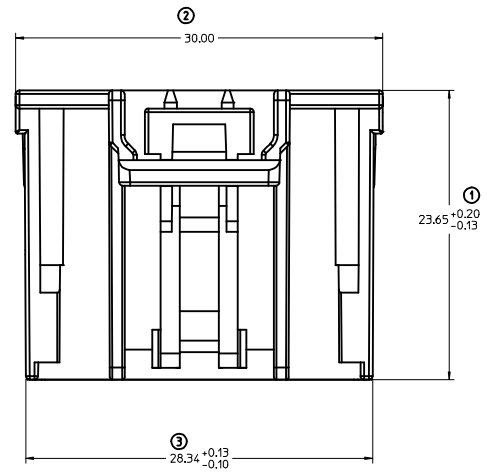


ASSEMBLY SECTION

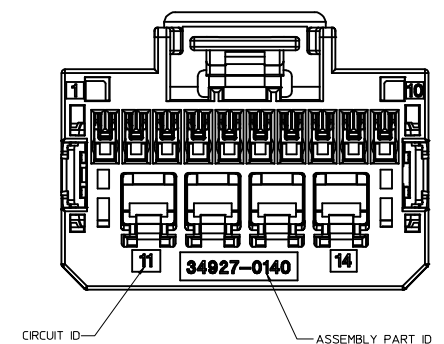
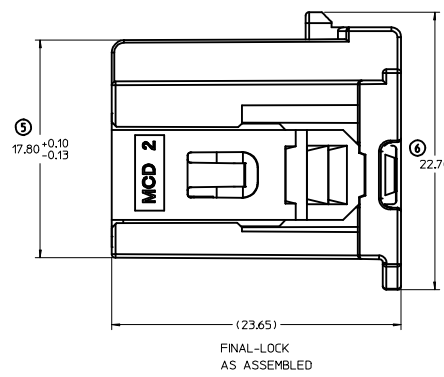
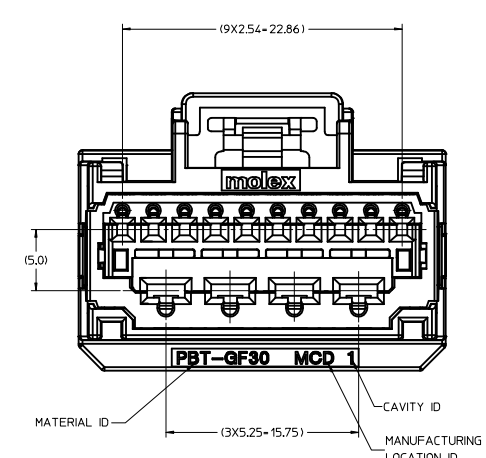
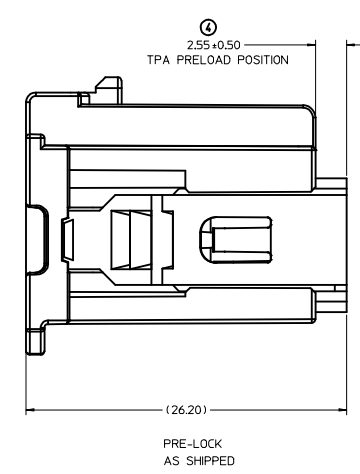
INITIAL RELEASE DEC NO: UAU2016-1509 DRAWN: FISCHER01 2016/04/13 CHYK: APPROVAL: 2016/04/14 DESCRIPTION:	QUALITY SYMBOLS ∇=0 ∇=0 ∇=0		GENERAL TOLERANCES (UNLESS SPECIFIED): <table border="1"> <tr> <th></th> <th>mm</th> <th>INCH</th> </tr> <tr> <td>4 PLACES</td> <td>±0.13</td> <td>±0.005</td> </tr> <tr> <td>3 PLACES</td> <td>±0.25</td> <td>±0.010</td> </tr> <tr> <td>2 PLACES</td> <td>±0.38</td> <td>±0.015</td> </tr> <tr> <td>1 PLACE</td> <td>±0.51</td> <td>±0.020</td> </tr> <tr> <td colspan="3">ANGULAR ± 3°</td> </tr> </table>			mm	INCH	4 PLACES	±0.13	±0.005	3 PLACES	±0.25	±0.010	2 PLACES	±0.38	±0.015	1 PLACE	±0.51	±0.020	ANGULAR ± 3°			DIMENSION STYLE MM ONLY DRAWN BY: LSONG05 DATE: 2012/02/20 CHECKED BY: TITAN DATE: 2012/02/16 APPROVED BY: SMARCEAU DATE: 2012/03/12		SCALE: 3:1 DESIGN UNITS: METRIC THIRD ANGLE PROJECTION	
		mm	INCH																							
	4 PLACES	±0.13	±0.005																							
	3 PLACES	±0.25	±0.010																							
2 PLACES	±0.38	±0.015																								
1 PLACE	±0.51	±0.020																								
ANGULAR ± 3°																										
DRAFT WHERE APPLICABLE MUST REMAIN WITHIN DIMENSIONS			MATERIAL NO.: SEE TABLE DOCUMENT NO.: SD-34927-010		TITLE: 14 CKT HYBRID GEN Y RECEPTACLE																					
SIZE: A4			THIS DRAWING CONTAINS INFORMATION THAT IS PROPRIETARY TO MOLEX INCORPORATED AND SHOULD NOT BE USED WITHOUT WRITTEN PERMISSION		MOLEX INCORPORATED SHEET NO: 1 OF 2																					

20 19 18 17 16 15 14 13 12 11 10 9 8 7 6 5 4 3 2 1

M
L
K
J
I
H
G
F
E
D
C
B
A



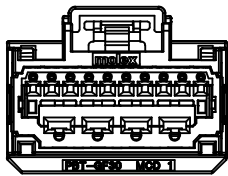
($\varnothing 35.38$) PASS-THRU
WITH +1.0 PER SIDE



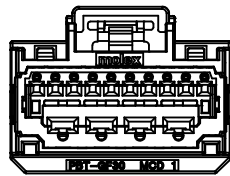
SEE SHEET 1 IEC NO. UAU2016-1509 DRAWN/FISCHER01 2016/04/13 CHYD APPR:BRALMAN 2016/04/14	QUALITY SYMBOLS ▽=0 ▽=0 ▽=0	GENERAL TOLERANCES (UNLESS SPECIFIED)		DIMENSION STYLE MM ONLY	SCALE 5:1	DESIGN UNITS METRIC	THIRD ANGLE PROJECTION		
		4 PLACES ± --- ± --- 3 PLACES ± --- ± --- 2 PLACES ± 0.13 ± --- 1 PLACE ± 0.25 ± ---	mm INCH	DRAWN BY LSONG05 DATE 2012/02/20	CHECKED BY TITAN DATE 2012/02/16	TITLE 14 CKT HYBRID GEN Y RECEPTACLE			
		DRAFT WHERE APPLICABLE MUST REMAIN WITHIN DIMENSIONS		APPROVED BY SMARCEAU DATE 2012/03/12	MATERIAL NO. SEE SHEET 1	MOLEX INCORPORATED DOCUMENT NO. SD-34927-010			
				SIZE D	THIS DRAWING CONTAINS INFORMATION THAT IS PROPRIETARY TO MOLEX INCORPORATED AND SHOULD NOT BE USED WITHOUT WRITTEN PERMISSION				

19 18 17 16 15 14 13 12 11 10 9 8 7 6 5 4 3 2 1

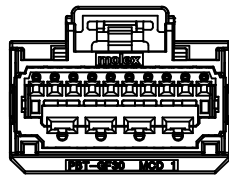
M
L
K
J
I
H
G
F
E
D
C
B
A



POLARIZATION OPTION "A"
P/N: 34969-0140



POLARIZATION OPTION "B"
P/N: 34969-0141



POLARIZATION OPTION "C"
P/N: 34969-0142

MOLEX ASSEMBLY PART NO.'S	MATING COMPONENT	
	VERTICAL HEADER	RIGHT ANGLE HEADER
34969-0140	34772-0140	34773-0140
34969-0141	34772-0141	34773-0141
34969-0142	34772-0142	34773-0142

ITEM	DESCRIPTION	COLOR	MOLEX COMPONENTS PART NO.	RECYCLING CODE	WEIGHT	NO OF ITEMS REQUIRED		
1	FEMALE HOUSING POL A	BLACK	34969-3140	PBT-GF30	7.24g	1		
2	FEMALE HOUSING POL B	GRAY	34969-3141	PBT-GF30	7.24g		1	
3	FEMALE HOUSING POL C	BROWN	34969-3142	PBT-GF30	7.24g			1
3	TPA	NATURAL	34927-1200	PBT-GF30	1.14g	1	1	1

ITEM	APPLICABLE COMPONENTS		APPLICABLE WIRE SIZE		PAYOFF
	DESCRIPTION	TYPE	WIRE GAGE	MAXIMUM INSULATION DIAMETER	
1	MOLEX CTX64 TERMINAL	Sn 34803-0212	20 AWG	1.90 mm	LEFT
2		Sn 34803-0211	22 AWG	1.65 mm	LEFT
3		Sn 34803-0214	20 AWG	1.90 mm	RIGHT
4		Sn 34803-0213	22 AWG	1.65 mm	RIGHT
5	TYCO 2.8 TERMINAL	Sn 1326030-4	10/12 AWG	4.04 mm	\
6		Sn 1326030-3	14/16 AWG	2.69 mm	\
7		Sn 1326030-2	18/20 AWG	2.06 mm	\
8		Sn 1326030-1	22 AWG	1.65 mm	\
9	TYCO 2.8 TERMINAL	Sn 7116-4112-02	14 AWG	2.69 mm	\
10		Sn 7116-4111-02	16/18 AWG	2.34 mm	\
11		Sn 7116-4110-02	20/22 AWG	1.85 mm	\



ISOMETRIC VIEWS
SCALE 1:1
(POLARITY A SHOWN)

NOTES: VALID UNLESS OTHERWISE SPECIFIED

1. GENERAL:

- a. APPLICATION SPECIFICATION SEE: AS-34729-010
- b. PRODUCT SPECIFICATION SEE: PS-34969-100
- c. PACKAGING SPECIFICATION PER MOLEX DRAWING: PK-31301-211
- d. PARTS MUST BE IN COMPLIANCE TO MOLEX CHEMICAL SUBSTANCES FOR PRODUCTS AND PACKAGING SPECIFICATION: PS-40000-5015
- e. DATA MUST BE SUBMITTED UNDER THE MOLEX PART NUMBER TO IMDS (COMPANY ID#13255)

2. DESIGN - MATERIALS:

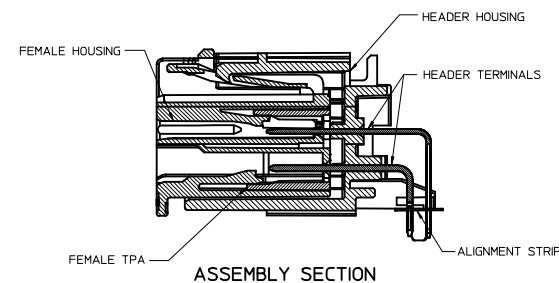
- a. SEE BOM TABLE

3. DESIGN - GEOMETRY:

- a. THIS IS A 100% CAD GENERATED PART. THE CAD MATHEMATICAL DATA IS THE MASTER FOR THIS PART. FOR DIMENSIONAL OR ANY INFORMATION NOT SHOWN ON THIS DRAWING, ANALYZE THE CAD MODEL.
- b. GEOMETRIC DIMENSIONS AND TOLERANCES PER ASME Y14.5M - 1994
- c. EDGES AND UNDIMENSIONED DETAILS PER ISO13715
- d. CORNERS SHOWN AS SHARP TO BE R 0.2 MAX.
- e. LETTERING SHALL BE 0.15 MAX RAISED IN 0.25 MAX RECESS PAD. THIS INCLUDES RECYCLING CODE, CAVITY ID, VENDOR IDENTIFICATION, AND CUSTOMER MATERIAL NUMBER.
- f. VISUAL DEFECTS SHALL MEET COSMETIC STANDARD PS-45499-002 (Class B)

4. DESIGN - MANUFACTURING:

- a. TPAs MAY BECOME SEATED DURING TRANSIT. IF THIS OCCURS, REFERENCE MOLEX PRODUCT SPECIFICATION PS-34646-001

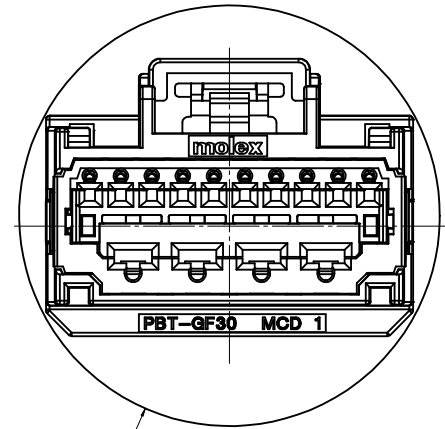
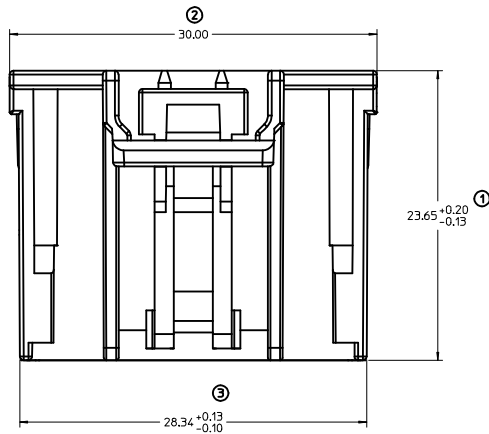


ASSEMBLY SECTION

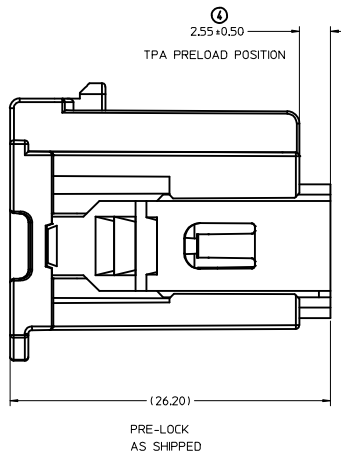
INITIAL RELEASE DEC NO: UAU2016-1509 DRAWN: FISCHERO1 2016/04/11 CHYK: APPROVAL: RBAUMAN 2016/04/14 DESCRIPTION:	QUALITY SYMBOLS	GENERAL TOLERANCES (UNLESS SPECIFIED)	DIMENSION STYLE	SCALE	DESIGN UNITS	THIRD ANGLE PROJECTION
	∇=0 ∇=0 ∇=0	4 PLACES ± 0.13 3 PLACES ± 0.13 2 PLACES ± 0.13 1 PLACE ± 0.25 ANGULAR ± 3°	MM ONLY DRAWN BY: SONGOS CHECKED BY: TITAN APPROVED BY: RBAUMAN DATE: 2012/02/20 DATE: 2012/02/16 DATE: 2013/01/04	3:1	METRIC	14 CKT HYBRID CTX 0.64 AND GENY 2.80 RECEPTACLE
	DRAFT WHERE APPLICABLE MUST REMAIN WITHIN DIMENSIONS	SEE TABLE	MATERIAL NO.	DOCUMENT NO.	MOLEX INCORPORATED SD-34969-010	
			SIZE D	THIS DRAWING CONTAINS INFORMATION THAT IS PROPRIETARY TO MOLEX INCORPORATED AND SHOULD NOT BE USED WITHOUT WRITTEN PERMISSION		

20 19 18 17 16 15 14 13 12 11 10 9 8 7 6 5 4 3 2 1

M
L
K
J
I
H
G
F
E
D
C
B
A

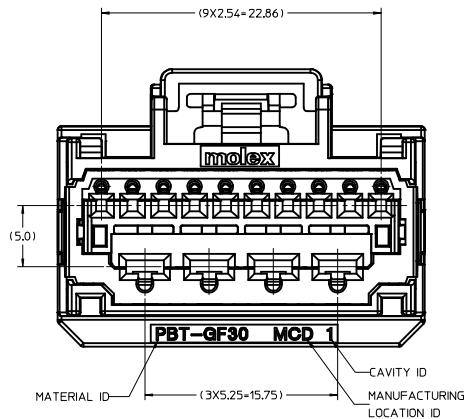


Ø 35.38 PASS-THRU WITH +1.0 PER SIDE

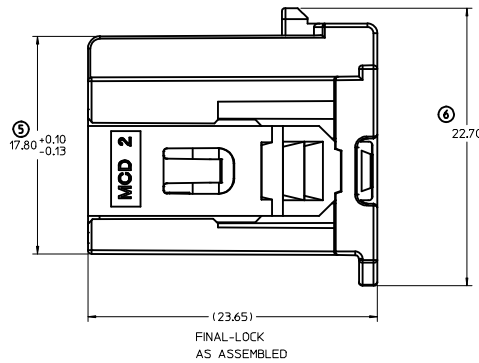


TPA PRELOAD POSITION

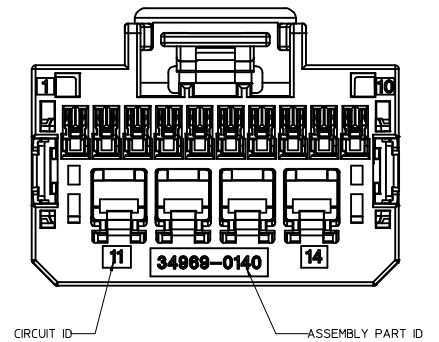
PRE-LOCK AS SHIPPED



MATERIAL ID CAVITY ID MANUFACTURING LOCATION ID



FINAL-LOCK AS ASSEMBLED



CIRCUIT ID ASSEMBLY PART ID

SEE SHEET 1 IEC NO. UAU2016-1509 DRAWN/FISCHER01 2016/04/11 CHKD: APPR:RBAUMAN 2016/04/14 REV:	QUALITY SYMBOLS	GENERAL TOLERANCES (UNLESS SPECIFIED)	DIMENSION STYLE	SCALE	DESIGN UNITS	THIRD ANGLE PROJECTION
	▽=0	mm INCH	MM ONLY	5:1	METRIC	☉
	▽=0	4 PLACES ± --- ± ---				
	▽=0	3 PLACES ± 0.13 ± ---				
		ANGULAR ± 3°				
	DRAFT WHERE APPLICABLE MUST REMAIN WITHIN DIMENSIONS		DRAWN BY DATE	TITLE		
			SONG05 2012/02/20	14 CKT HYBRID CTX 0.64 AND GENY 2.80 RECEPTACLE		
			CHECKED BY DATE	MOLEX INCORPORATED		
			TITAN 2012/02/16	MOLEX INCORPORATED		
			APPROVED BY DATE	SD-34969-010		
			RBAUMAN 2013/01/04	SHEET NO. 2 OF 2		
			MATERIAL NO. DOCUMENT NO.			
			SEE SHEET 1			
			SIZE D	THIS DRAWING CONTAINS INFORMATION THAT IS PROPRIETARY TO MOLEX INCORPORATED AND SHOULD NOT BE USED WITHOUT WRITTEN PERMISSION		

19 18 17 16 15 14 13 12 11 10 9 8 7 6 5 4 3 2 1