

U_FPGA_PWR_MISC
FPGA_PWR_MISC.SchDoc

U_FPGA_CFG
FPGA_CFG.SchDoc

U_B14_B16
B14_B16.SchDoc

U_B15
B15.SchDoc

U_B34
B34.SchDoc

U_B35
B35.SchDoc

U_B2B_Connector
B2B_Connector.SchDoc

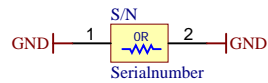
U_POWER
POWER.SchDoc

U_Optical_transceiver
Optical_transceiver.SchDoc

LOGO1

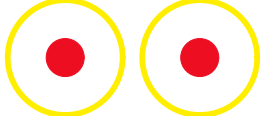
TE Logo PRINT Layer

LOGO PRINT

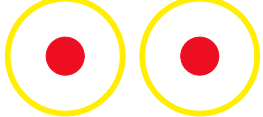


Serial
Serial
Serialnumber 6,3 x 6.3mm

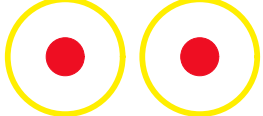
FIDU-DOT - small FIDU-DOT - small



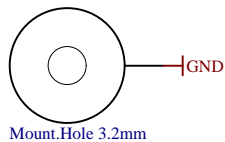
PM1 PM2
FIDU-DOT - small FIDU-DOT - small



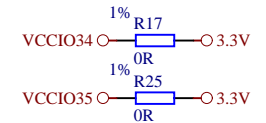
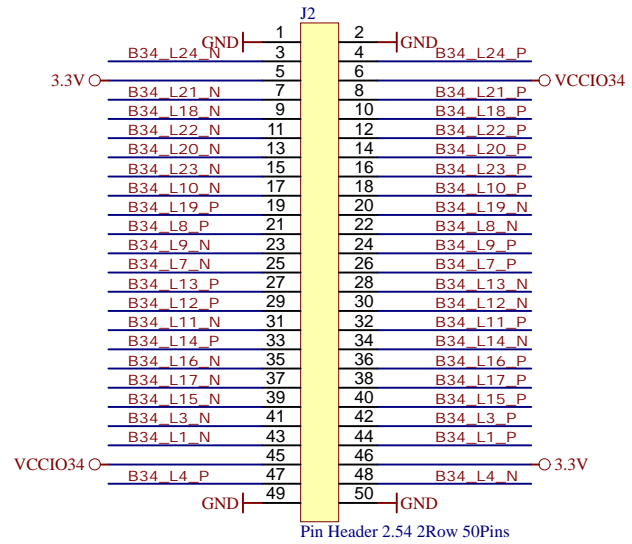
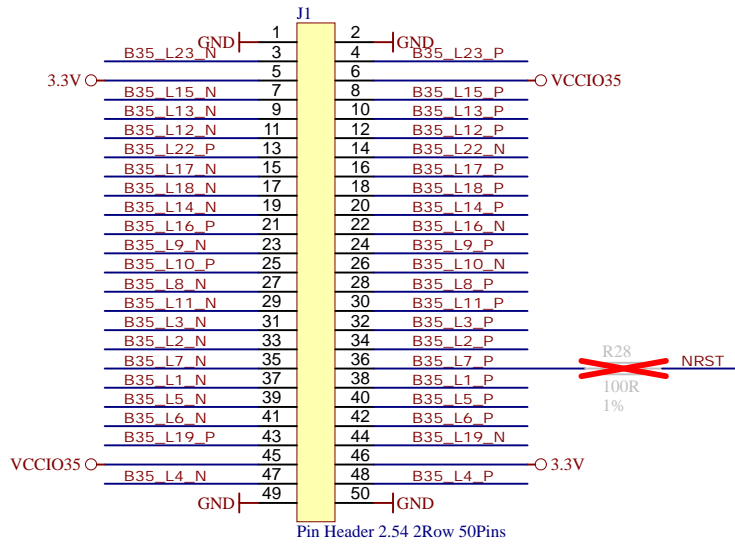
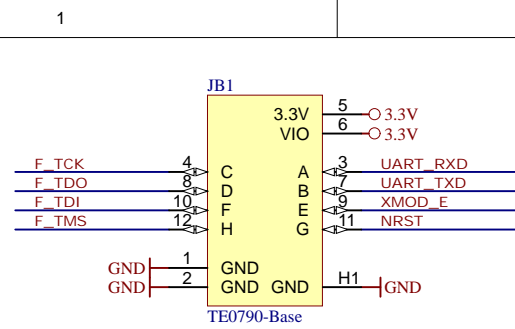
PM4 PM5
FIDU-DOT - small FIDU-DOT - small



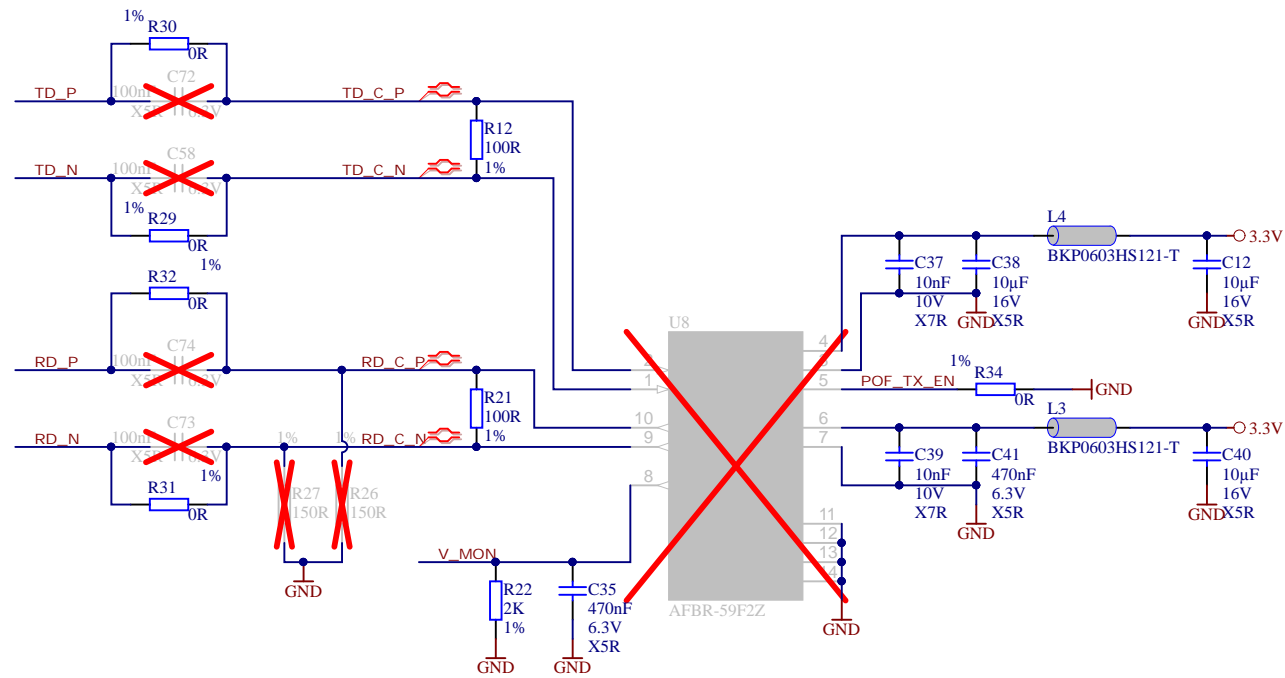
PM6 PM3




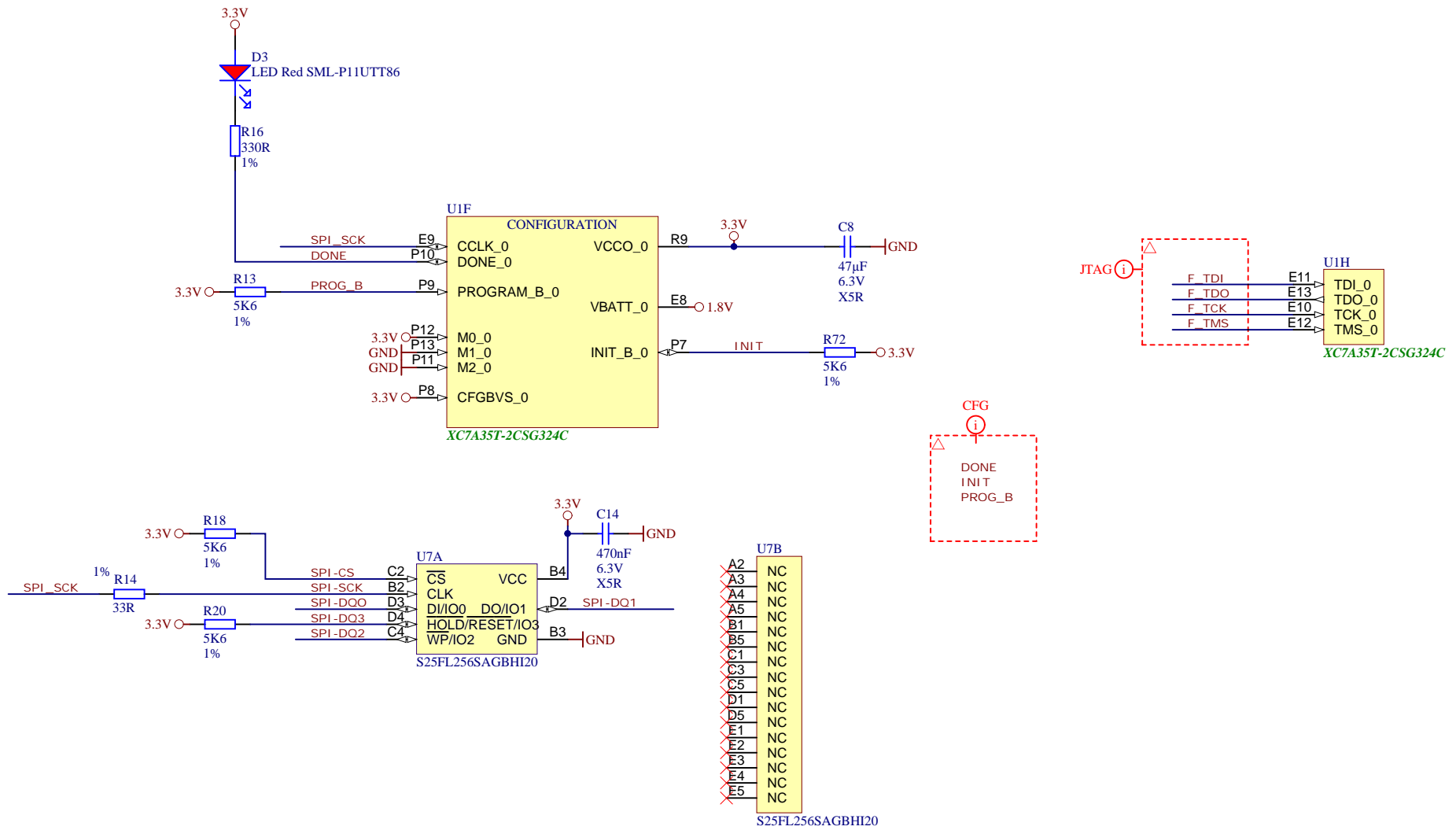
| | | |
|--------------------------|---------------------------------------|-------------|
| Title: TE0725 - Overview | | |
| A4 | Number: TE0725 TE0725-35-2C | Rev. 03 |
| Date: 2016-06-29 | Copyright: Trenz Electronic GmbH / TT | Page1 of 11 |
| Filename: TE0725.SchDoc | | |




| | | |
|--------------------------------|---------------------------------------|-------------|
| Title: TE0725 - B2B Connectors | | |
| A4 | Number: TE0725 TE0725-35-2C | Rev. 03 |
| Date: 2016-06-29 | Copyright: Trenz Electronic GmbH / TT | Page2 of 11 |
| Filename: B2B_Connector.SchDoc | | |



| | | | |
|---|--------------------------------------|---------------------------------------|--------------|
|  | Title: TE0725 - Optical transceiver | | |
| | A4 | Number: TE0725 TE0725-35-2C | Rev. 03 |
| | Date: 2016-06-29 | Copyright: Trenz Electronic GmbH / TT | Page 3 of 11 |
| | Filename: Optical_transceiver.SchDoc | | |



| | | | |
|---|--|---------------------------------------|--------------------------------|
|  | | Title: TE0725 - FPGA CFG | |
| | | A4 | Number: TE0725 TE0725-35-2C |
| Date: 2016-06-29 | | Copyright: Trenz Electronic GmbH / TT | |
| Filename: FPGA_CFG.SchDoc | | Page 4 of 11 | |

1

2

3

4

A

A

B

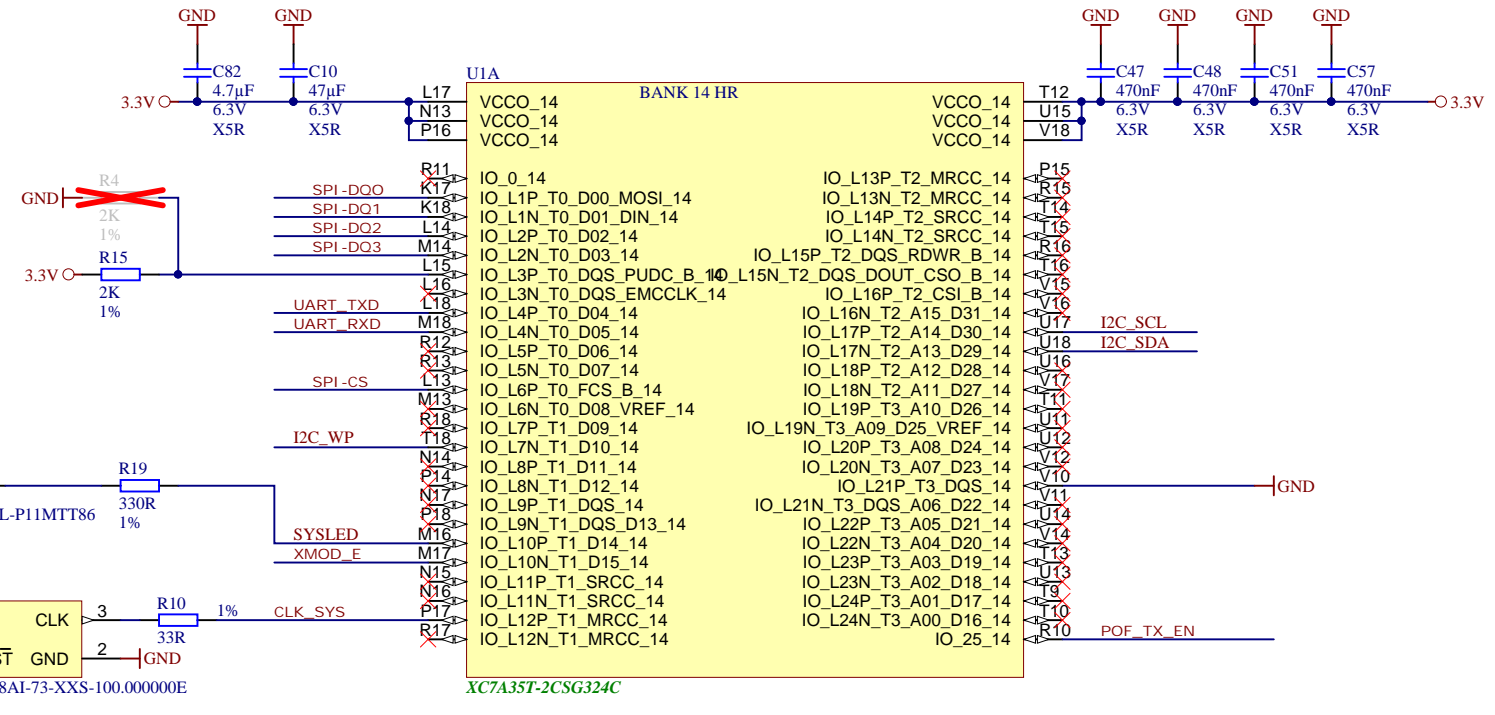
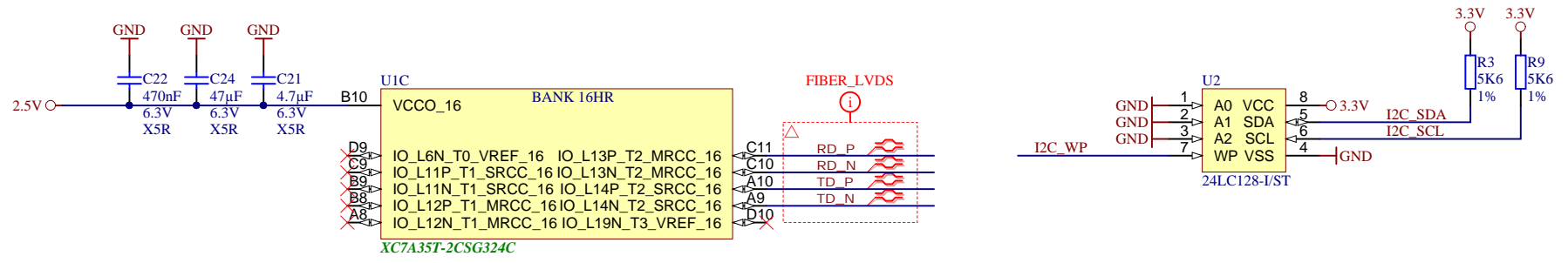
B

C

C

D

D



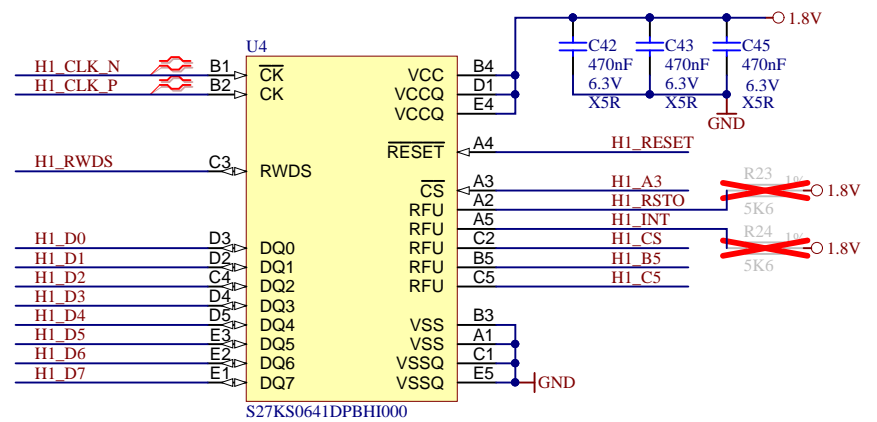
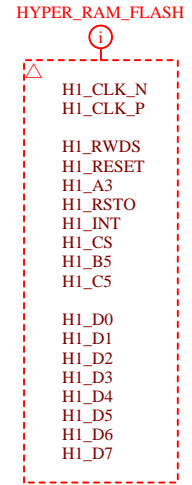
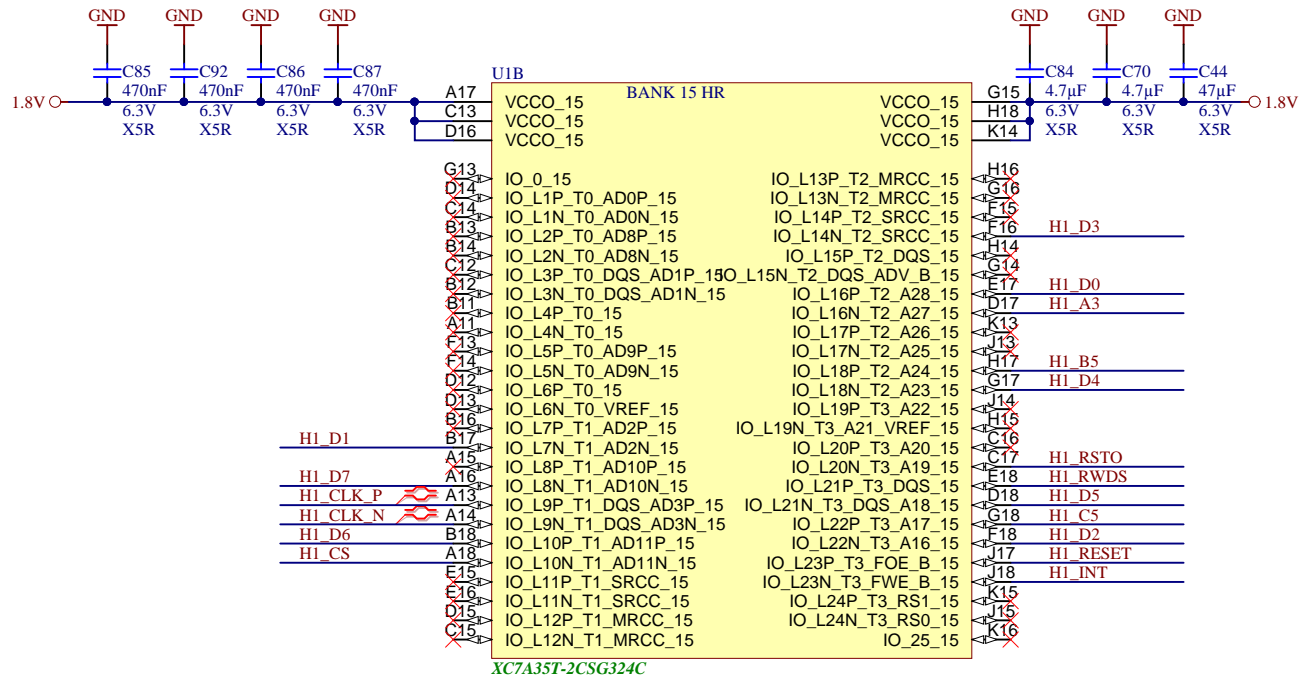
| | | |
|---------------------------|---------------------------------------|-------------|
| Title: TE0725 - B14 & B16 | | |
| A4 | Number: TE0725 TE0725-35-2C | Rev. 03 |
| Date: 2016-06-29 | Copyright: Trenz Electronic GmbH / TT | Page5 of 11 |
| Filename: B14_B16.SchDoc | | |

1

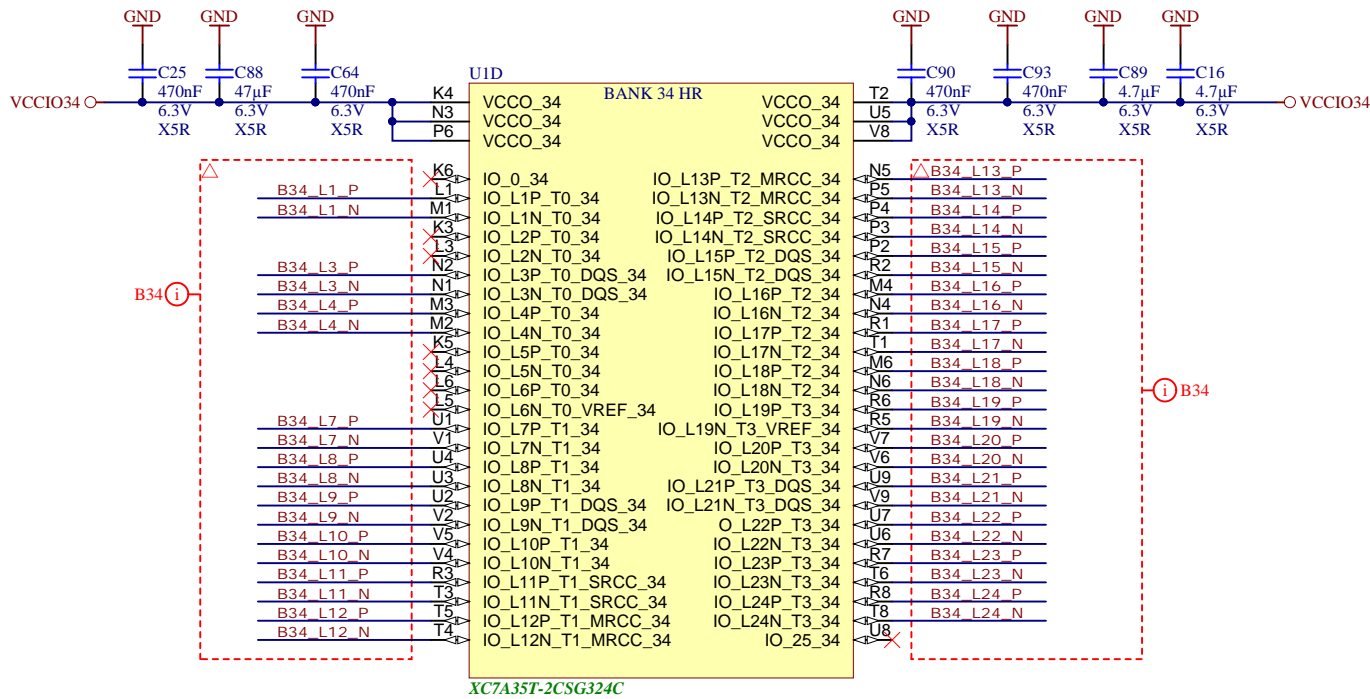
2


3

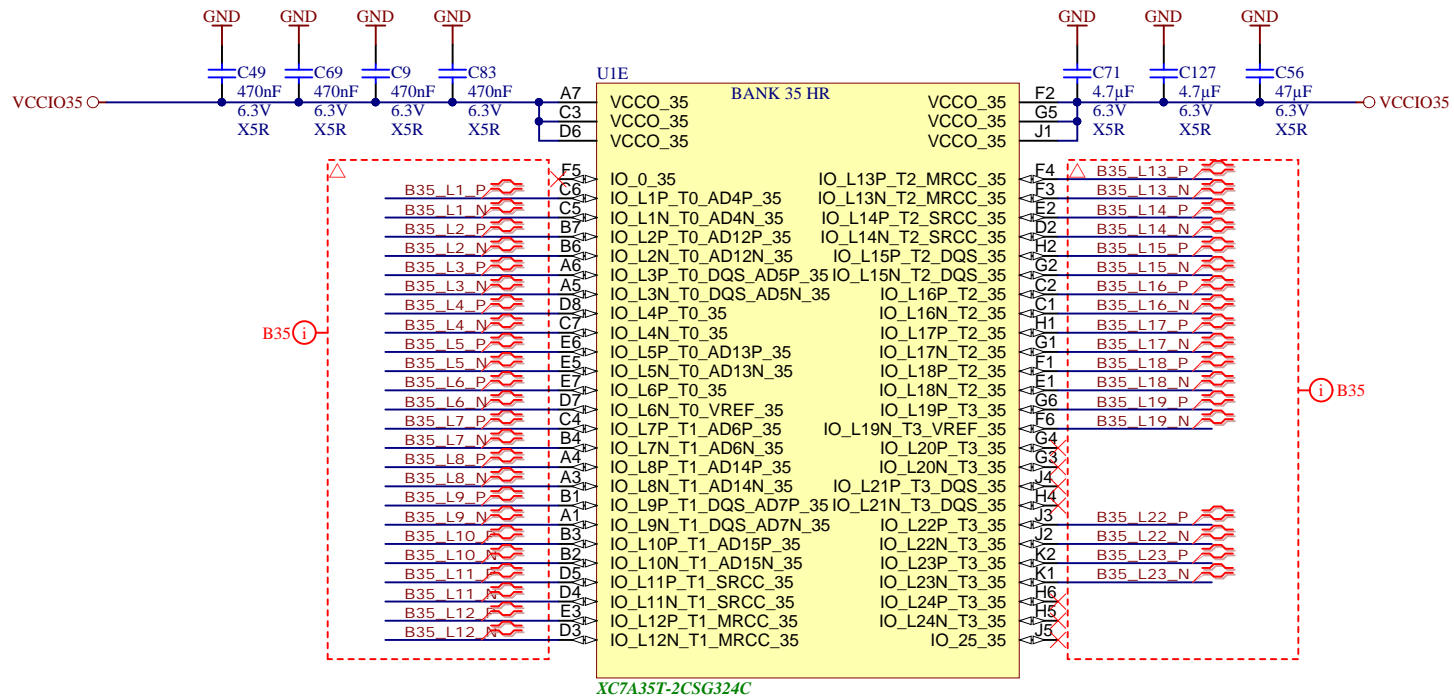
4



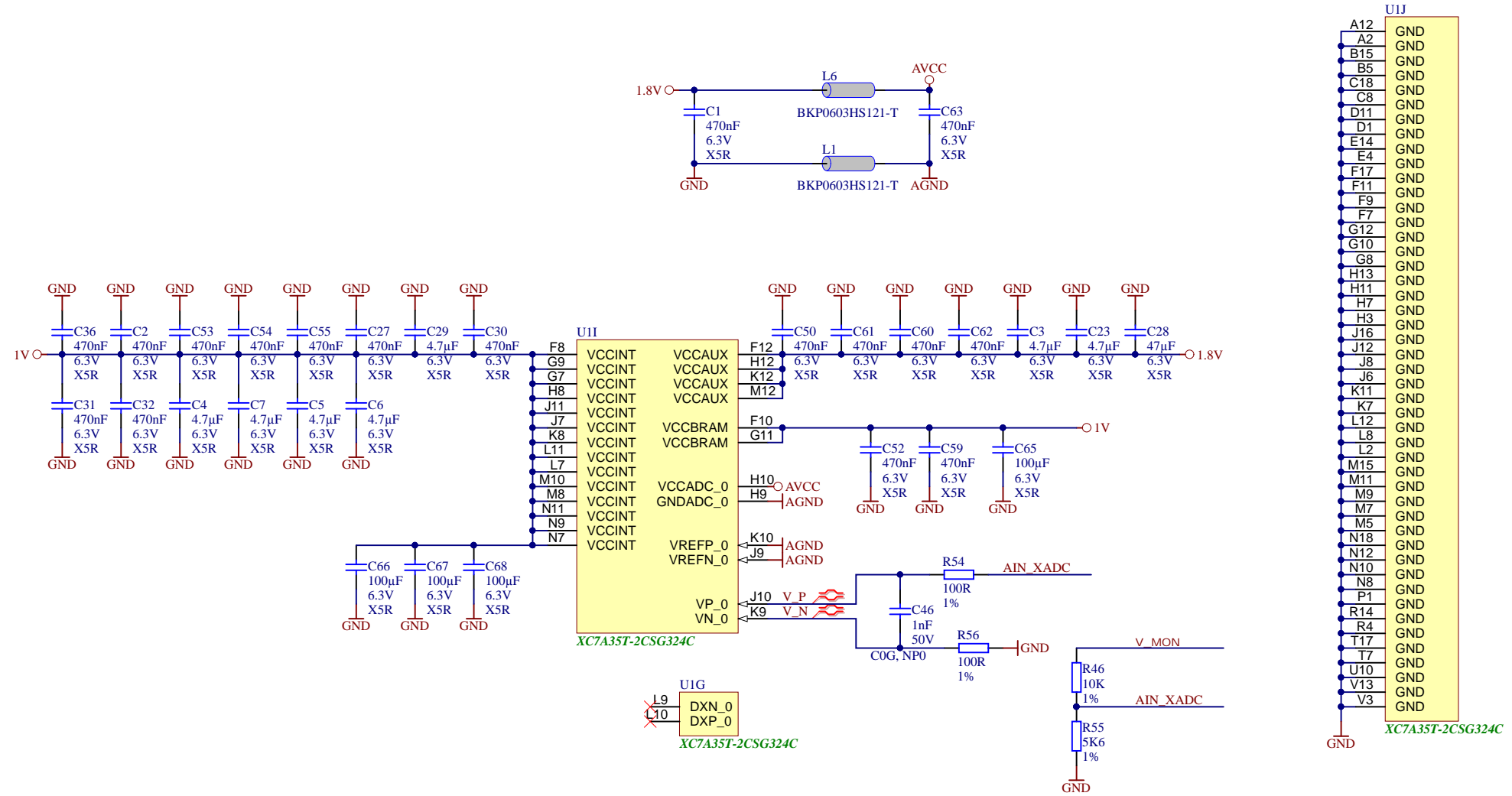
| | | |
|----------------------|---------------------------------------|-------------|
| Title: TE0725 - B15 | | |
| A4 | Number: TE0725 TE0725-35-2C | Rev. 03 |
| Date: 2016-06-29 | Copyright: Trenz Electronic GmbH / TT | Page6 of 11 |
| Filename: B15.SchDoc | | |



| | | | | |
|---|--|---------------------------------------|---------------------|--------------------------------|
|  | | | Title: TE0725 - B34 | |
| | | | A4 | Number: TE0725 TE0725-35-2C |
| Date: 2016-06-29 | | Copyright: Trenz Electronic GmbH / TT | | Page 7 of 11 |
| Filename: B34.SchDoc | | | | |



| | | |
|-----------------------------|--|----------------------------|
| Title: TE0725 - B35 | | |
| A4 | Number: TE0725 TE0725-35-2C | Rev. 03 |
| Date: 2016-06-29 | Copyright: Trenz Electronic GmbH / TT | Page 8 of 11 |
| Filename: B35.SchDoc | | |



U1J

| | |
|-----|-----|
| A12 | GND |
| A2 | GND |
| B15 | GND |
| B5 | GND |
| C18 | GND |
| C8 | GND |
| D11 | GND |
| D1 | GND |
| E14 | GND |
| E4 | GND |
| F17 | GND |
| F11 | GND |
| F9 | GND |
| F7 | GND |
| G12 | GND |
| G10 | GND |
| G8 | GND |
| H13 | GND |
| H11 | GND |
| H7 | GND |
| H3 | GND |
| J16 | GND |
| J12 | GND |
| J8 | GND |
| J6 | GND |
| K11 | GND |
| K7 | GND |
| L12 | GND |
| L8 | GND |
| L2 | GND |
| M15 | GND |
| M11 | GND |
| M9 | GND |
| M7 | GND |
| M5 | GND |
| N18 | GND |
| N12 | GND |
| N10 | GND |
| N8 | GND |
| P1 | GND |
| R14 | GND |
| R4 | GND |
| T17 | GND |
| T7 | GND |
| U10 | GND |
| V13 | GND |
| V3 | GND |

XC7A35T-2CSG324C

| | | |
|--|--------------------------------|---------------------------------------|
| | Title: TE0725 - FPGA PWR MISC | |
| | A4 | Number: TE0725 TE0725-35-2C |
| | Date: 2016-06-29 | Copyright: Trenz Electronic GmbH / TT |
| | Filename: FPGA_PWR_MISC.SchDoc | Page9 of 11 |

1

2

3

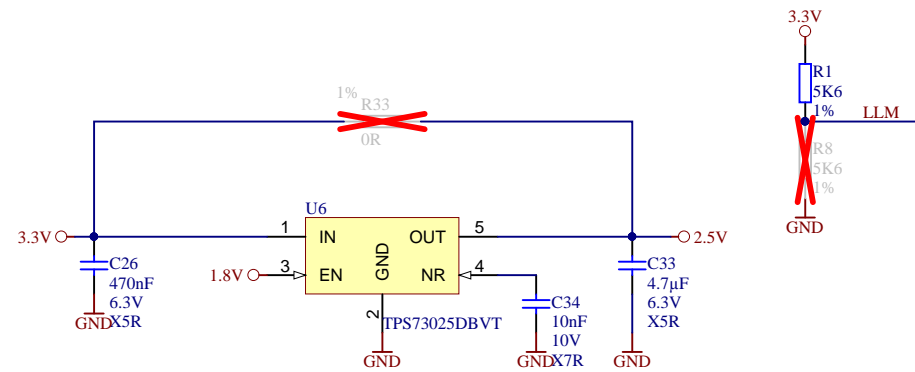
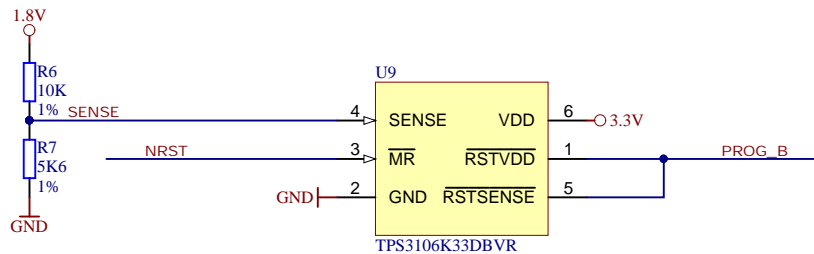
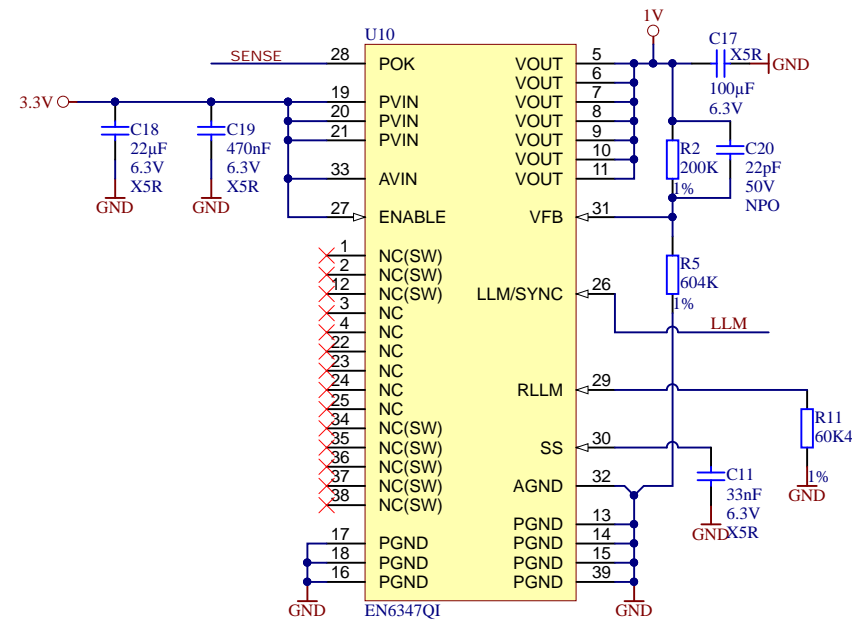
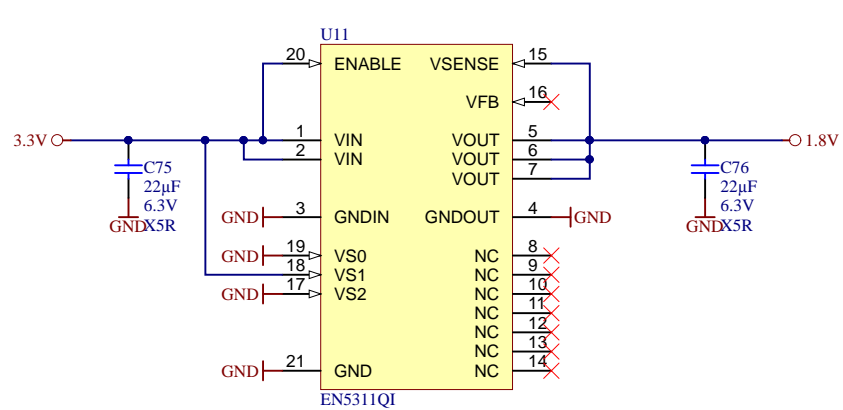
4

1

2

3

4



| | | |
|------------------------|----------------------------------|---------------|
| Title: TE0725 - POWER | | |
| A4 | Number: TE0725 TE0725-35-2C | Rev. 03 |
| Date: 2016-06-29 | Copyright: Trenz Electronic GmbH | Page 10 of 11 |
| Filename: POWER.SchDoc | | |

1

2

3

4

CHANGES REV02 to REV03

- 1) fixed LVPECL termination for 125MBit modules
- 2) fixed wrong XADC decoupling capacitors
- 3) added serial number (traceability pad)
- 4) added thermal vias to mounting holes

A

A

B

B

C

C

D

D



| | | |
|-----------------------------------|----------------------------------|---------------|
| Title: TE0725 - Changes list | | |
| A4 | Number: TE0706 TE0725-35-2C | Rev. 03 |
| Date: 2016-06-29 | Copyright: Trenz Electronic GmbH | Page 11 of 11 |
| Filename: Revision_Changes.SchDoc | | |

1

2

3

4