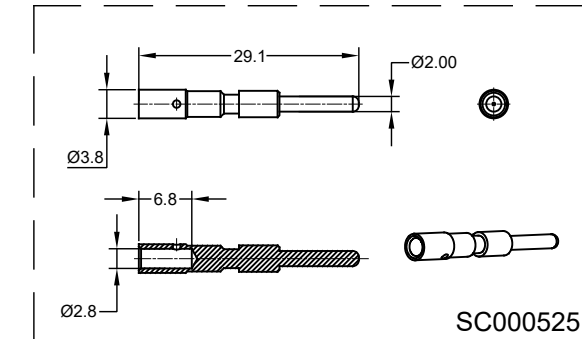
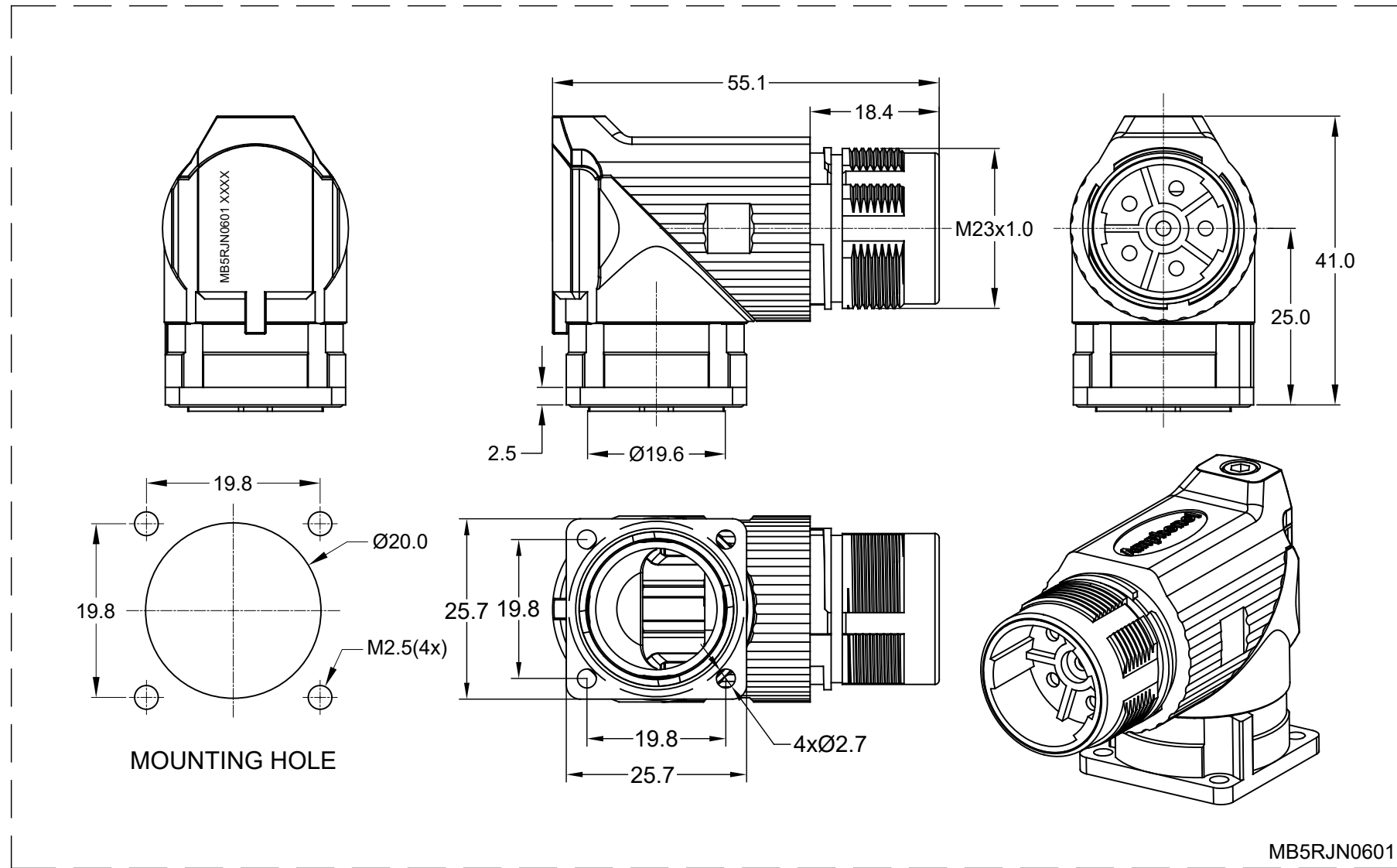


REVISIONS

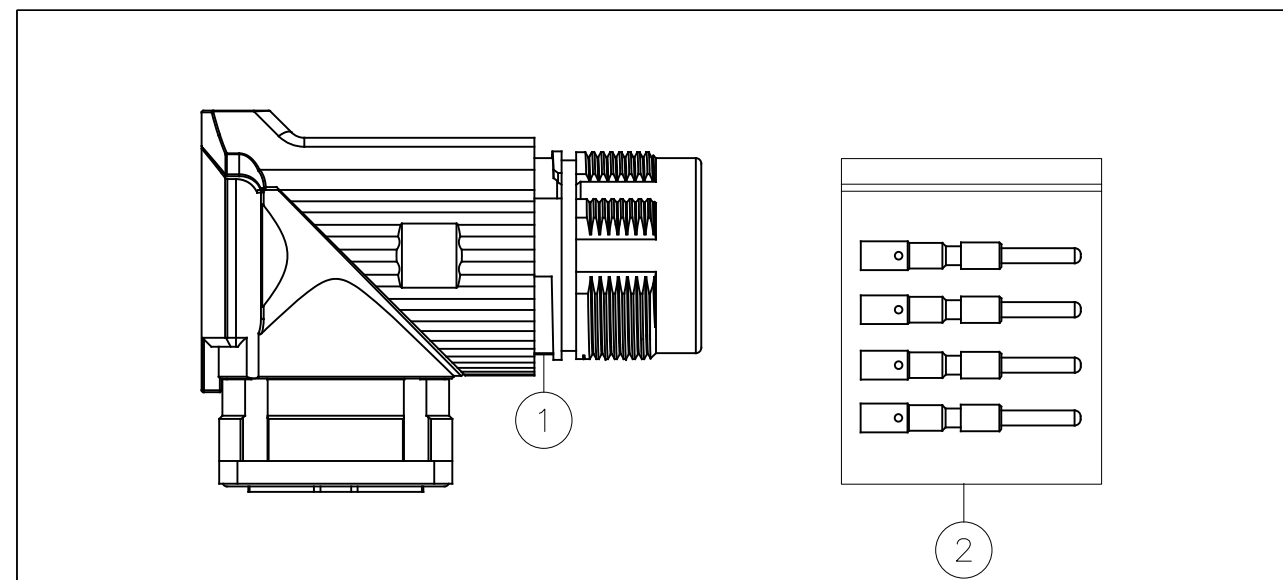
| REV | ECO | DESCRIPTION | DATE | BY | APPR |
|-----|-----|----------------------------|-------------|-------|-------|
| A1 | - | FIRST RELEASE | JAN-12-2018 | WHITE | TOMMY |
| A2 | - | UPDATE CONTACT PART NUMBER | NOV-23-2021 | BLINK | TOMMY |



NOTES: UNLESS OTHERWISE SPECIFIED

- MATERIAL:
 - INSULATION INSERT: PA66,UL94 V0
 - SEAL: VITON
 - HOUSING BODY: ZINC DIE CAST, NICKEL PLATED
 - CONTACT: COPPER ALLOY, GOLD PLATED
- SPECIFICATIONS:
 - 2.1 CURRENT RATING: 28 AMPS
 - 2.2 VOLTAGE RATING: 630V AC/DC
 - 2.3 OPERATING TEMPERATURE: -20°C TO +130°C
 - 2.4 DIELECTRIC WITHSTANDING VOLTAGE: LESS THAN 2 MILLIAMPS CURRENT LEAKAGE @ 6000 VOLTS AC.
 - 2.5 DEGREE OF PROTECTION: IP67 (MATED CONDITION)
 - 2.6 DEGREE OF POLLUTION: 3 PER UL840
 - 2.7 OVERVOLTAGE CATEGORY: III PER UL840
 - 2.8 MATING CYCLE DURABILITY: >500 CYCLES
 - 2.9 RoHS COMPLIANT

3. ALL DIMENSIONS ARE FOR REFERENCE USE ONLY.



| QUANTITY | PART NUMBER | DESCRIPTION | ITEM |
|----------|-------------|-------------------------------------|------|
| 6 | SC000525 | CONTACT, PIN, Ø2.0mm,CRIMP 12~14AWG | 2 |
| 1 | MB5RJN0601 | CONNECTOR | 1 |

MATERIALS LIST

| | | | | | |
|---|--|--|--|--|--|
| UNLESS OTHERWISE SPECIFIED 1) All dimensions are in metric(mm). 2) Tolerances are as follows: 1 PL DEC ±0.30 2 PL DEC ±0.15 3 PL DEC ±0.08 Fractions ±1/64 Angles ±1° 3) Note reference = X | | SIGNATURES DRAWN: BLINK CHECKED: ORION ENGINEER: APPROVAL: TOMMY | | DATE NOV-23-2021 NOV-23-2021 NOV-23-2021 | |
| MATERIAL SPECIFICATIONS: | | CUSTOMER: | | <h1>Amphenol</h1> <p>Sine Systems - www.amphenol-sine.com 44724 Morley Drive Clinton Township, MI 48036</p> <p>KIT,M23B,REC.,RA,6POS, FLANGE MOUNT,CHECKMATE</p> | |
| PROCESS SPECIFICATIONS: | | THIS DRAWING IS SUPPLIED FOR INFORMATION ONLY. DESIGN FEATURES, SPECIFICATIONS AND PERFORMANCE DATA SHOWN HEREON ARE THE PROPERTY OF THE AMPHENOL CORPORATION. NO RIGHTS OF REPRODUCTION ARE IMPLIED. ALL DIMENSIONS ARE SUBJECT TO NORMAL MANUFACTURING VARIATIONS. | | | |
| NEXT ASSY: | | SCALE: NONE | | | |
| SIZE: B | | TYPE: C- | | DWG NO: MB5RJN0601-KIT | |
| REVISION: A2 | | SHEET: 1 | | OF: 1 | |

TITLE: KIT,M23B,REC.,RA,6POS,FLANGE MOUNT,CHECKMATE
DWG NO: MB5RJN0601-KIT
REV: A2
SH: 1
OF: 1