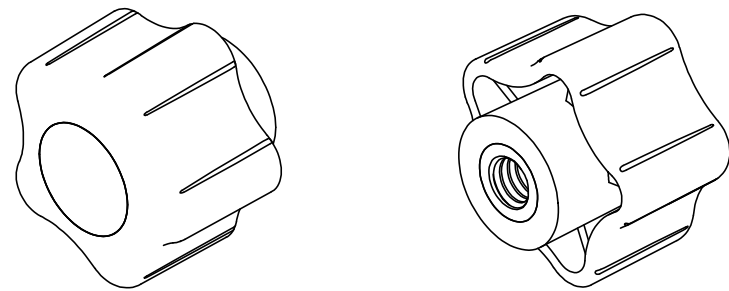
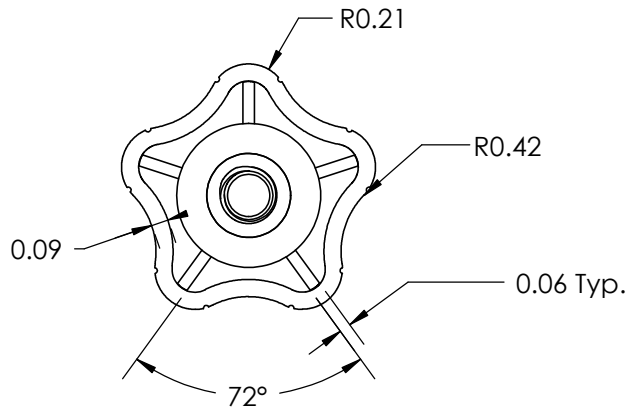


SECTION A-A



FOR CUSTOMER APPROVAL ONLY				REV	BY	DATE	COMMENT	DIMENSIONS ARE IN INCHES TOLERANCES FRACTIONAL ± TWO PLACE DECIMAL ± 0.03 THREE PLACE DECIMAL ± 0.010 UNLESS OTHERWISE NOTED		DRAWN	LQR	
NAME:	0	JMR	08/30/08	RELEASE DATE				KNOB MATERIAL Polypropylene, Black  KNOB FINISH Textured  INSERT PART NUMBER NR4C0437750--2R	APPROVED	LQR	PART NAME  <b>1.38" Ergo Star Knob Blind Top 1/4-20 Steel, Zinc Insert RoHS Compliant</b>	
TITLE:	1	LQR	07/01/09	Changed Hub Diameter it was 0.70					DATE	09/29/2018		COMMENTS  RoHS Compliant
DATE:	2	LG	09/29/18	Removed Cavity Recess/Adjusted Insert Finish					INSERT MATERIAL	Steel		
SIGNATURE:	<b>PROPRIETARY AND CONFIDENTIAL</b> THE INFORMATION CONTAINED IN THIS DRAWING IS THE SOLE PROPERTY OF INNOVATIVE COMPONENTS. ANY REPRODUCTION IN PART OR AS A WHOLE WITHOUT THE WRITTEN PERMISSION OF INNOVATIVE COMPONENTS IS PROHIBITED.							INSERT FINISH	Trivalent, Zinc	SCALE 1:1	DRAWING NUMBER KN4C---R2IB-21-R2-18	
												SHEET 1 OF 1