

1 Products affected

Product hierarchy no. *				Part no.	SBU	Type / Description	Customer part no.
SBU	PG	PGU	Type				
02	006	018	0000001544	See list below	Power Entry Modules with Filters	DD22	

*SBU (2-digit) / PG (3-digit) / PGU (3-digit) / Type (10-digit)

List of part numbers affected				
DD22.1111.1111	DD22.1121.1111	DD22.1321.1111	DD22.2111.1111	DD22.2121.1111
DD22.2321.1111	DD22.4111.1111	DD22.4121.1111	DD22.4321.1111	DD22.4624.1511
DD22.6111.1111	DD22.6121.1111	DD22.6123.1111	DD22.6321.1111	DD22.9111.1111
DD22.9121.1111	DD22.9321.1111			

2 Type of change

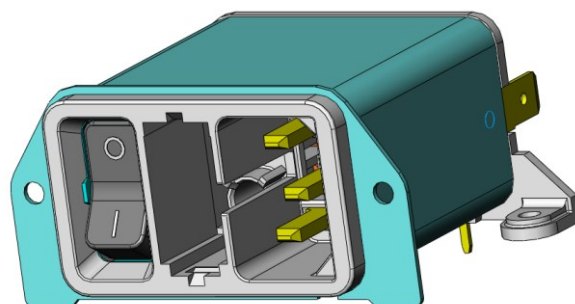
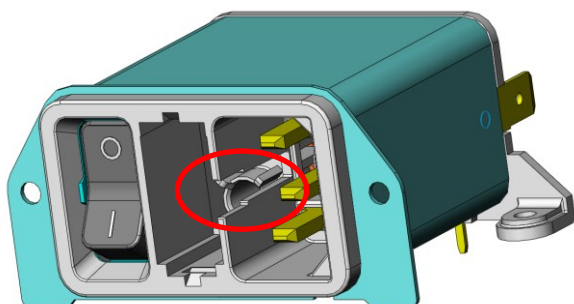
Enlarging of the fusedrawer slot.

3 Detailed description of change

Fusedrawer slot enlarged.

New

Old



DD22					0118.2188	
creation date	created by	release date	released by	notification no.	revision	page
2013-10-08	hollenpe	2013-12-04	hollenpe	25286	-	1 of 2

4 Reason of change

Implementaion of V-Lock cord retention function.
 Precondition: new fusedrawer required (see PCN 0118.2133)

5 Release date

The change will be rolled-out individually by part numbers affected starting ww 02/2014 and lasts approx. 9 months.

6 Impact of change and recommended action

- Form: New form is fully backwards compatible (can be used with old fusedrawer, see PCN 0118.2133).
- Fit: N/A
- Function: The new expanded slot allows applying V-Lock cord sets for cord retaining (new fuse drawer necessary).
- Production Site: N/A
- Product Label: N/A

7 Reference Documents / Attachments

Kind of document	Document number	Remarks
PCN fusedrawer 2	0118.2133	
Data sheet Fusedrawer 2		
Data sheet DD22		

DD22					0118.2188	
creation date	created by	release date	released by	notification no.	revision	page
2013-10-08	hollenpe	2013-12-04	hollenpe	25286	-	2 of 2