

Type APR58

Automotive Blade Fuse

Standard – Extended Voltage



www.optifuse.com

(619) 593-5050

Specifications:

- Voltage: 58V DC
- Amperage: 500mA, 1A, 2A, 3A, 4A, 5A, 7.5A, 10A, 15A, 20A, 25A, 30A, 35A, 40A
- Material: Body – Fiber Glass Reinforced Plastic, UL94V0 Flame Resistant
Metal – Copper, Zinc, Silver Alloy
- Interrupt Rating: 1000A 58VDC

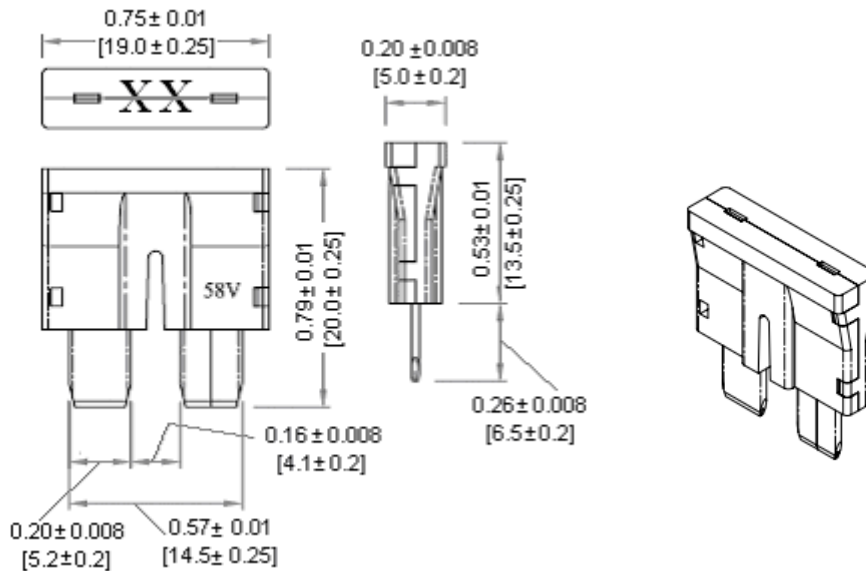
Standards: According to SAE J1284



Part Number	Amperage	Body Color	Voltage Drop (mV)	Cold Resistance	I ² T
APR58-500MA	500mA	Dark Blue	150	290 mΩ	0.3
APR58-1A	1A	Black	125	100 mΩ	2.3
APR58-2A	2A	Gray	120	43.0 mΩ	9.6
APR58-3A	3A	Violet	110	30.0 mΩ	16.2
APR58-4A	4A	Pink	110	22.0 mΩ	36.8
APR58-5A	5A	Tan	110	16.0 mΩ	62.5
APR58-7.5A	7.5A	Brown	90	9.00 mΩ	73.1
APR58-10A	10A	Red	90	6.50 mΩ	210
APR58-15A	15A	Blue	90	4.00 mΩ	270
APR58-20A	20A	Yellow	90	3.00 mΩ	360
APR58-25A	25A	Clear	80	1.90 mΩ	813
APR58-30A	30A	Green	80	1.65 mΩ	1530
APR58-35A	35A	Blue Green	70	1.45 mΩ	1960
APR58-40A	40A	Orange	70	1.25 mΩ	3200

Time Characteristics:		
% of Rated Current	Min Hold Time	Max Hold Time
110%	>100h	
135%	750ms	1800s
200%	150ms	5s
350%	40ms	500 ms
600%	20ms	100ms

Mechanical Dimensions: Inches [mm]



Note: All specifications subject to change without notice.

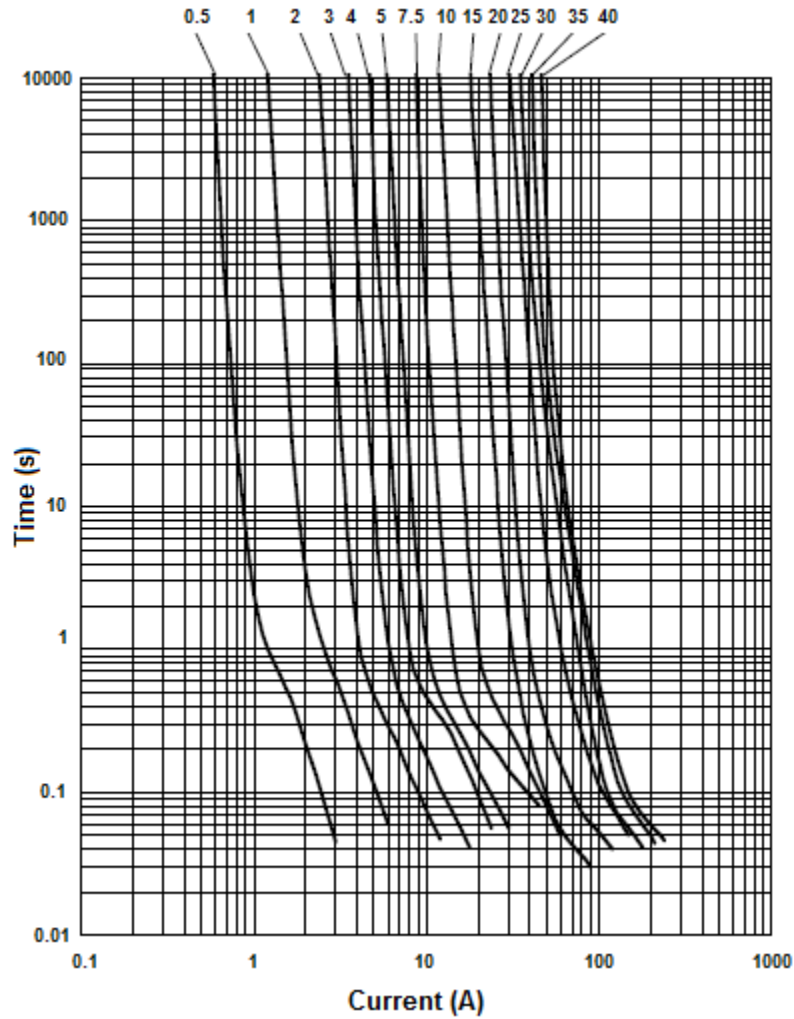
Type APR58
Automotive Blade Fuse
Standard – Extended Voltage



www.optifuse.com

(619) 593-5050

Time Current Curve Graph



Warning:



-Operation beyond the specified maximum ratings or improper use may result in damage and possible electrical arcing and/or flame.

-Avoid contact of device with chemical solvent. Prolonged contact will damage the device performance.