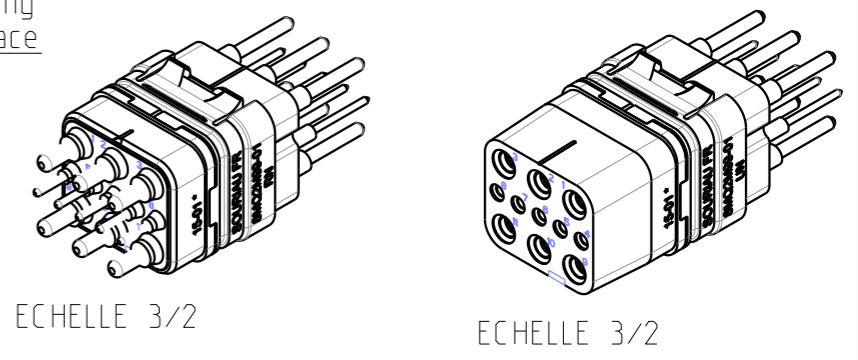
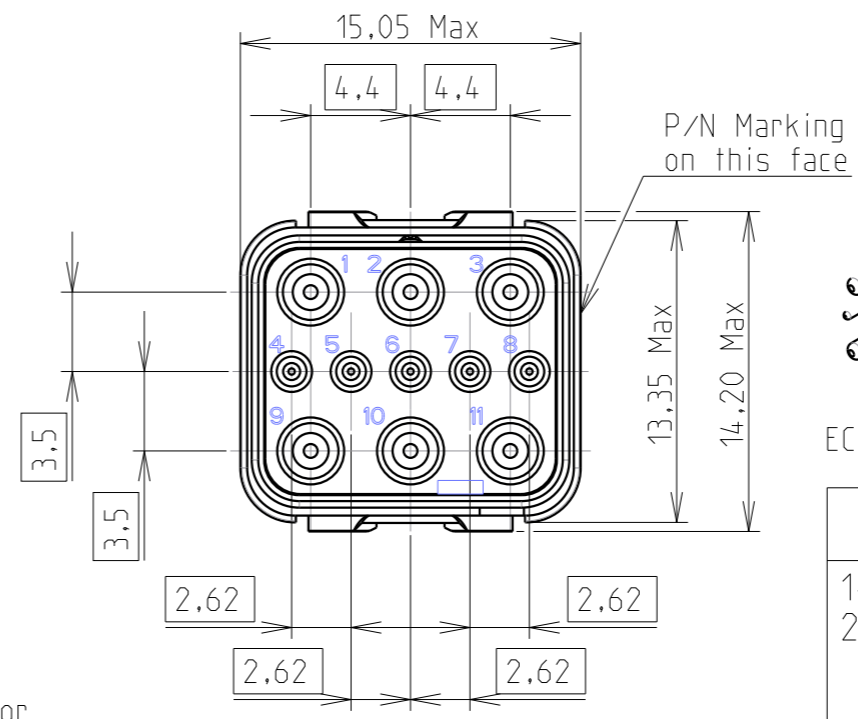
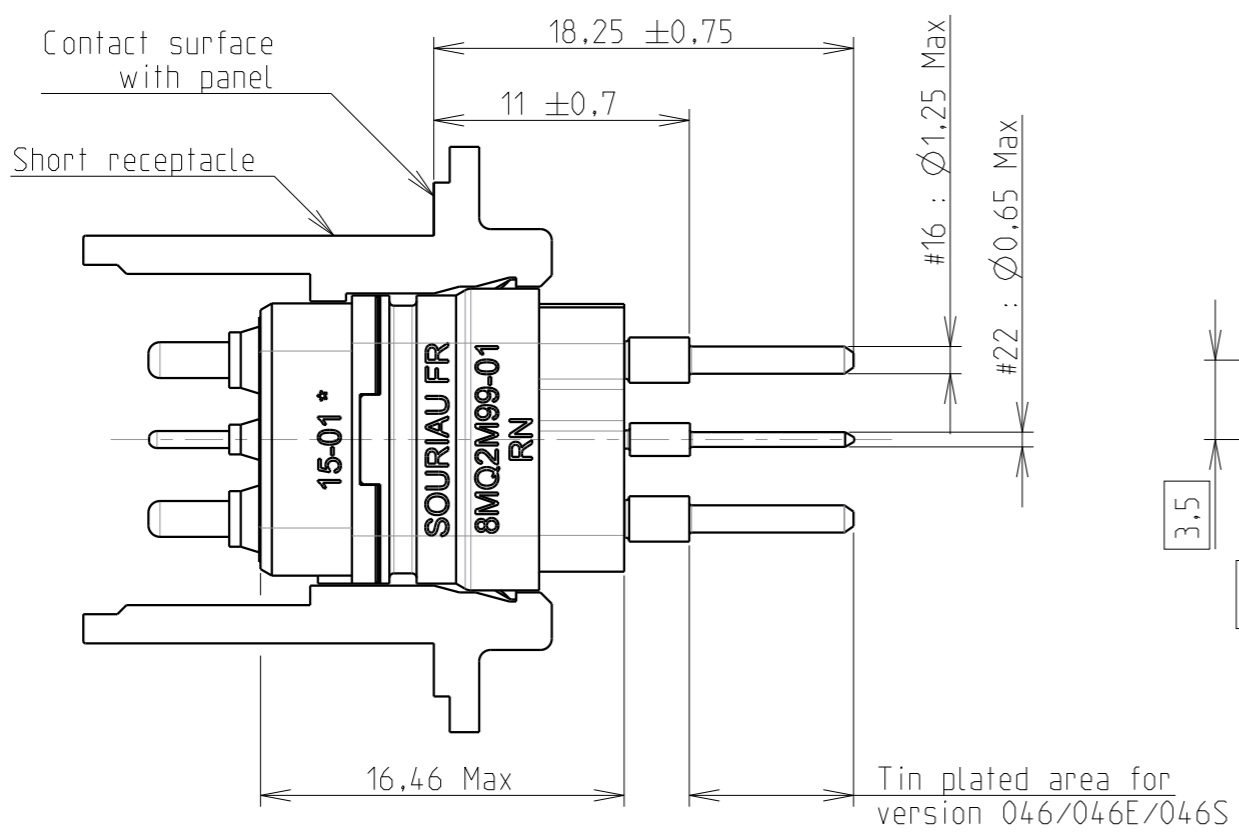


E.2: Validé

MASS ± 5% (g)	
Male module	8
Female module	9.7



Technical requirements

- 1- According to EN4165
- 2- Voltage proof test (Sea level) :
 - #22 > 1300 V r.m.s.
 - #16 > 1500 V r.m.s.
- 3- Insulation resistance > 5000 MΩ
- 4- Climatic sequence : -55 °C / +175 °C
- 5- Fluid resistance : See standard EN 4165-001 (table 40)
- 6- Contact retention in insert :
 - #22 = 44 N
 - #16 = 110 N
- 7- Materials : Thermoplastic and silicone
- 8- Delivered with protection cap

Country	Jurisdiction & Control List
FR	NOT LISTED

P/N : SEE TABLE

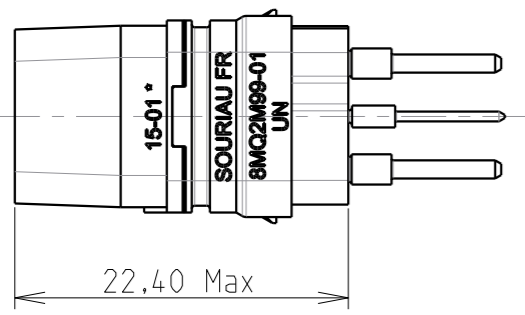
E	04/10/18	Update of contact position	23536BH
ISS	DATE	Latest modification - by:	MOD N°
		N.AUFFRET Date:11/08/16	H.SIMIER
Designed by:		CUSTOMER DRAWING	
TITLE		MODULES WITH STRAIGHT PCB CONTACTS - LAYOUT 99-01	
		BASIC SERIE 8MQ	
Scale	2/1	General linear Tolerances: ± --	NPRDS / PROJECT BE133701A
Esterline Connection Technologies		WWW.SOURIAU.COM	
This document is the property of SOURIAU. It must not be reproduced or communicated without permission.			
FORMAT	SOURIAU DRG N° C013-8MQ-A		SHEET 1 / 1

BASIC SERIE 8MQ 2 M 99-01 R N E S -

2 = Serie 2
M = Module
Layout
Dash = No grounding
R = Male module delivered with contacts
U = Female module delivered with contacts
N, A, B, C, D = polarization
None = Without peripheral sealing
E = With peripheral sealing
S = Delivered with protection cap
None = Pin contact : Gold plated, 0.8 μm mini
046 = Pin contact : Tin plated over gold - SnPb
046E = Pin contact : Tin plated over gold - Sn100
046S = Pin contact : Tin plated over gold - SAC305

SOURIAU shall not be liable for any non-conformity or damage due to a use of the Products which does not comply with the Specifications issued by either of the Parties or by a third party (professional recommendation, technical notice.)

Female module dimension



(other dimensions are available for male and female module)