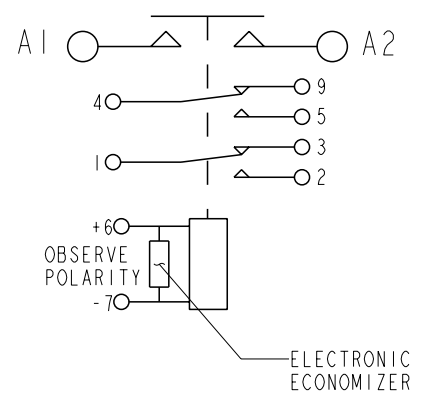
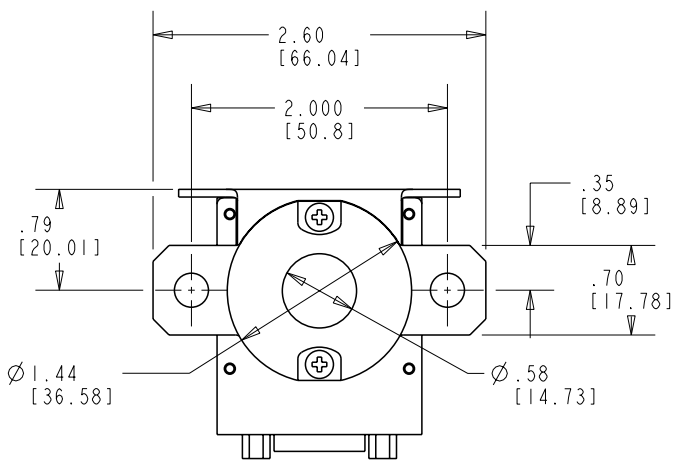


REVISIONS		RELEASED		APPROVED
REV.	DESCRIPTION	DATE		
A	RELEASE TO PRODUCTION FROM REV.5	15/08/06		RSS
B	18-017475 CORRECTED MATING CONNECTOR CALLOUT	18/11/06		AH
C	19-003372 ADDED METRIC UNITS FOR DIM AND WEIGHT	19/03/04		AH
D	19-007176 SPECIFICATION NOTES UPDATED	19/05/08		AH



CONSTRUCTION GASKET SEALED

MAIN CONTACTS CONFIGURATION SPST N.O. (DOUBLE BREAK)

VOLTAGE 28 VDC

CURRENT 200 AMPS

RESISTIVE MOTORLOAD OVERLOAD 120 AMPS PER MIL-PRF-6106
1600 AMPS PER MIL-PRF-6106

RUPTURE 2000 AMPS

COIL DATA

DUTY CYCLE CONTINUOUS (ECONOMIZED)

MAX. OPERATE VOLTAGE 32 VDC

NOMINAL OPERATE VOLTAGE 28 VDC

PICKUP VOLTAGE 18 VDC MAX

DROP VOLTAGE 1-9 VDC

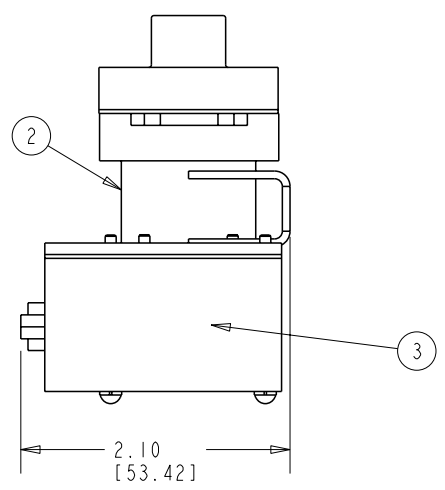
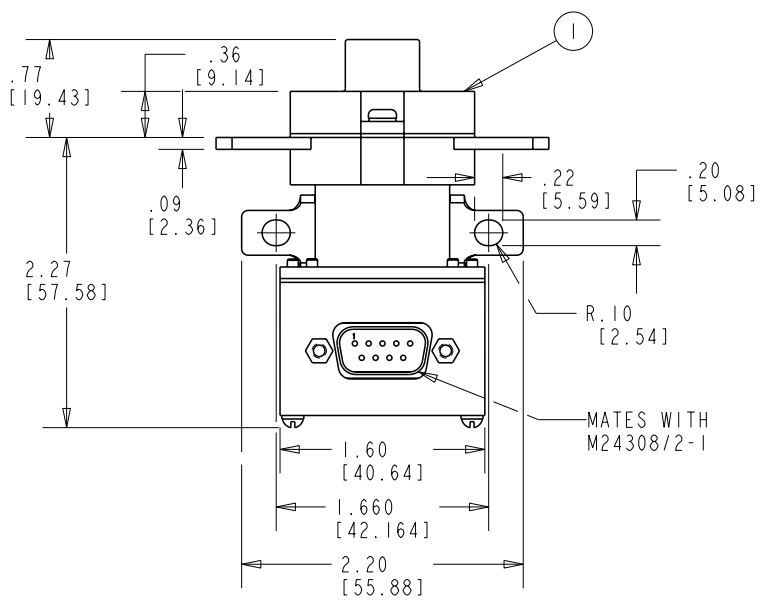
PICKUP TIME 15 mS

DROPOUT TIME 15 mS

COIL CURRENT

INRUSH 5 AMPS MAX AT 28 VDC & 25°C

HOLD SUPPRESSION 300 mA MAX AT 28 VDC & 25°C
±45 VDC



AUX CONTACTS CONFIGURATION 2 SPDT

VOLTAGE 28 VDC

CURRENT RESISTIVE 3 AMPS

LOW LEVEL 1 mA AT 28 VDC

ENVIRONMENTAL DATA

TEMPERATURE -55°C TO +85°C

ALTITUDE 50,000 FEET [15,240M]

LIFE ELECTRICAL 50,000 CYCLES MIN.

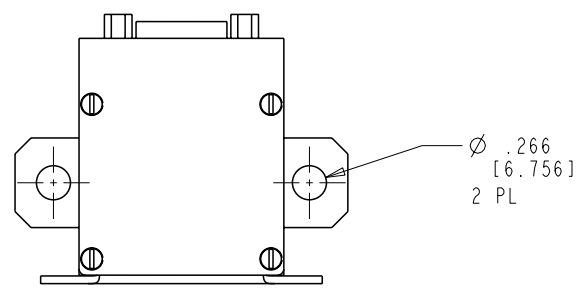
LIFE MECHANICAL 100,000 CYCLES MIN.

MAX WEIGHT .43 LBS (195g)

NOTES

1. AUXILIARY CONTACTS ARE GOLD PLATED.

2. 1 MILLIAMPERE RATING DOES NOT APPLY IF CONTACTS HAVE SWITCHED LOADS ABOVE 1 MILLIAMPERE



3	I	48103-002	SCHEMATIC DIAGRAM			8-1616990-3		
2	I	48102-004	NAME PLATE			9-1616977-1		
1	I	48057-050	PRIMARY ASSEMBLY			8-1616977-3		
FIND NO	QTY RECD	PART OR IDENTIFYING NO	NOMENCLATURE OR DESCRIPTION	DRAWING OR SPECIFICATION	FSCM NO	TE PART NO	MATERIAL OR NOTE	
UNLESS OTHERWISE SPECIFIED DIMENSIONS ARE IN INCHES TOLERANCES ON			 Hartman Division 175 N. DIAMOND STREET MANSFIELD, OHIO 44902				CONTACTOR - SPST N.O. DB 200 AMP, 28 VDC	
2 PL DEC. 13 PL DEC. ANGLES								
±.06	±.010	± 1°	DR BY RV 15/08/06 CHK BY MDM 15/08/07 ENGR RSS 15/08/06 MFG DWA 15/08/10	DWG NO. K200A3C				
SCALE NONE SHEET 1 OF 1			REF TE PN		8-1616977-1			