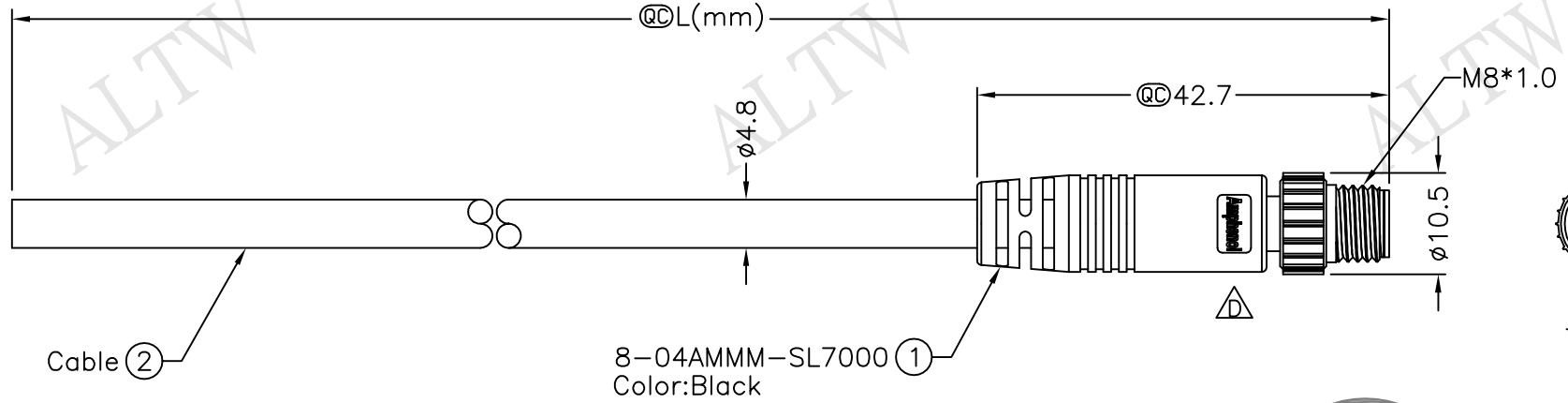


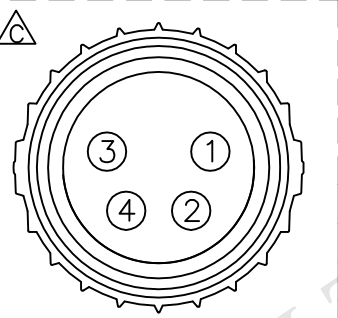
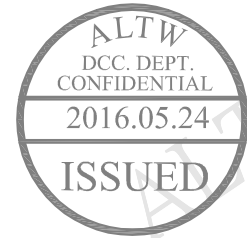
REV.	ECN NO.	DATE	SIGN	DESCRIPTION
B	LEN-780077	2007/04/27	Ferds	Change Pin Out Color & Apply New Standard.
C	LEN-920248~255	2009/02/04	Vicky	Update the drawing.
D	LEN1650520~528	2016/05/16	Vicky	Update Logo



Cable ②

8-04AMMM-SL7000 ①
Color:Black

8-04AMMM-SL7BXX
 XX:01~99Meters
 01:01Meter
 02:02Meters
 :
 :
 99:99Meters
 Cable Length(L):01~99Meters



Pin Assignments
Front View

Pin	Wire Color	Pin Out
4	Black	黑
3	Blue	藍
2	White	白
1	Brown	棕
Conn.		

- Notes:
- * @C Important Dimension.
 - * Waterproof Rate:IP67.
 - * Connector:Black,PU.
 - * Male Pin:Copper Alloy,Gold Plated.
 - * Cable:22AWG*4C+Insulation,Black, PU,OD=4.8mm.
 - * Cable Length Tolerance:
 - 01M:±40mm
 - 02M~05M:±60mm
 - 06M~10M:±100mm
 - 11M~30M:±200mm
 - 31M~99M:±500mm

UNIT:mm	
TOLERANCE	±0.5 mm

TITLE	M8 Conn	
	Cable Screw 4P M Conn M Pin	
SCALE	Free	SHEET 1 OF 1
REV.	D	SIZE A4
		@C :Inspection Item

Amphenol LTW
安費諾亮泰企業股份有限公司

ITEM NO	DRAWN BY	DATE
DWG NO	CHECKED BY	DATE
CUSTOMER	APPROVED BY	DATE

THIS DOCUMENT IS SUBJECT TO CHANGE WITHOUT NOTICE. IT IS CONFIDENTIAL AND A PROPERTY OF AMPHENOL LTW. DISCLOSURE TO THIRD PARTY HAS TO BE AUTHORIZED BY AMPHENOL LTW.