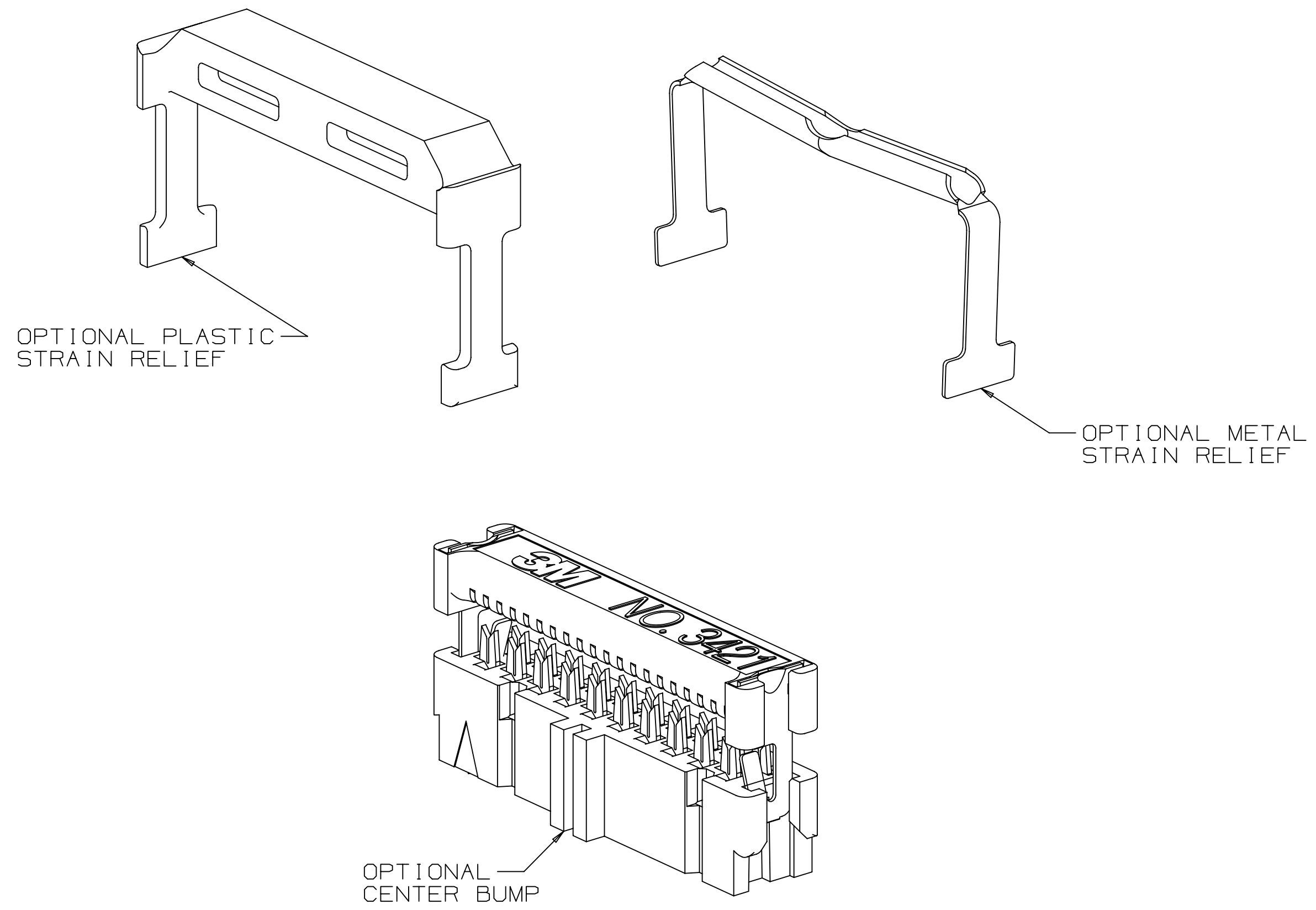


3M™ WIREMOUNT SOCKET PREASSEMBLED, 3000 SERIES
 .100" X .100" FOR .050" PITCH CABLE, (OPTIONAL PLASTIC OR METAL STRAIN RELIEF)

- * INDUSTRY STANDARD IDC SOCKET.
- * OPTIONAL PLASTIC OR LOW PROFILE METAL STRAIN RELIEF.
- * POSITIVE LOCKING METAL "J" CLIPS PROVIDE HIGH COVER RETENTION.
- * MATES WITH 3M HEADERS, PLUGS AND PIN STRIPS FOR QUICK CONNECT/DISCONNECT CAPABILITY.
- * OPEN OR CLOSED END COVERS AVAILABLE.
- * ACCEPTS FLAT CABLE OR DISCRETE WIRE.
- * MILITARY POLARIZATION, WITH OR WITHOUT CENTER BUMP.
- * FASTER TERMINATION, LOWER APPLIED COST AND IMPROVED PRODUCTIVITY.

- NOTES
1. REGULATORY INFORMATION: VISIT 3M.com/regs
 2. UNLESS OTHERWISE NOTED, REFERENCES TO INDUSTRY SPECIFICATIONS ARE INTENDED TO INDICATE SUBSTANTIAL COMPLIANCE TO THE MATERIAL ELEMENTS OF THE SPECIFICATION. SUCH REFERENCES SHOULD NOT BE CONSTRUED AS A GUARANTEE OF COMPLIANCE TO ALL REQUIREMENTS IN A GIVEN SPECIFICATION.
 3. THIS POLARIZING GROOVE IS NON-EXISTENT ON 3863, 3868, 3385 AND 3473 SERIES.
 4. THIS POLARIZING GROOVE IS NON-EXISTENT ON 3863 SERIES FOR POLARIZATION OPTION 6.
 5. THE LOW PROFILE STRAIN RELIEF CAN BE USED WITH THE 4600 SERIES PLUG AND .100 X .100 HEADERS WITH EJECTOR LATCHES. THE LATCHES WILL ONLY FUNCTION AS AN EJECTOR.
 6. TAPERED PIN TIP CONFIGURATION RECOMMENDED.
 7. DIMENSION MEASURED AT TIP OF PINS.



2 PHYSICAL :

INSULATION: GLASS FILLED POLYESTER (PBT)
 MATERIAL: UL94V-0
 COLOR: GRAY
 CONTACT: COPPER ALLOY
 PLATING: UNDER PLATING AND U-SLOT: 100μ" [2,54μm] AVG. NICKEL-OVERALL
 WIPING AREA: 30μ" [0,76μm] AVG. GOLD
 WIRE ACCOMMODATION: 26 AND 28 AWG SOLID AND STRANDED
 MARKINGS: 3M LOGO, PART IDENTIFICATION NUMBER, ORIENTATION TRIANGLE

2 ELECTRICAL :

CURRENT RATING:

	1 LINE	6 ADJACENT LINES	ALL LINES
28 AWG	4.50	1.75	1.00
26 AWG	4.75	2.00	1.00

RATING CONDITIONS: EIA-364-070 METHOD 2, 30°C MAXIMUM TEMPERATURE RISE, 20% DERATED. REFERENCE APPROPRIATE 3M PRODUCT SPECIFICATION FOR CURRENT DERATING CURVES.

INSULATION RESISTANCE: >1 X 10⁹Ω AT 500 V_{DC}
 WITHSTANDING VOLTAGE: 1,000V_{RMS} AT SEA LEVEL

2 ENVIRONMENTAL :

TEMPERATURE RATING: -55°C TO +105°

(ORDER SEPARATELY)
 SEE TS-0720

ORDERING INFORMATION STRAIN RELIEF

3448-XOXX

TYPE: _____ XX = CONTACT QUANTITY
 2 = METAL, LOW PROFILE 10 THRU 60 POSITION (SEE TABLE 1)
 3 = PLASTIC 50 POSITION STRAIN RELIEF

ORDERING INFORMATION KEYING PLUG

3435-0000

ORDERING INFORMATION PULL TABS

3490-X

ORDERING INFORMATION SOCKETS

XXXX-XXXX

SOCKET SERIES: (SEE TABLE 1)
 PREASSEMBLED COVER OPTIONS:
 G = OPEN COVER: RECESS ON ODD ROW SIDE
 H = OPEN COVER: RECESS ON EVEN ROW SIDE
 J = CLOSED COVER: FOR END CABLE TERMINATION, RECESS ON ODD ROW SIDE, (10-60 POSITION ONLY)
 K = CLOSED COVER: FOR END CABLE TERMINATION, RECESS ON EVEN ROW SIDE, (10-60 POSITION ONLY)

STRAIN RELIEF:
 00 = NO STRAIN RELIEF
 XX = CONTACT QUANTITY FOR PLASTIC STRAIN RELIEF 10 THRU 60 POSITION (I.E. 50 FOR A 50 POS)
 05 = PLASTIC STRAIN RELIEF 6 AND 8 POSITION
 06 = METAL STRAIN RELIEF 10 THRU 60 POSITION

POLARIZATION:
 0 = MILITARY (DUAL SLOT)
 6 = CENTER BUMP AND MILITARY

DIMENSIONS: INCHES [MM]
 [MM] IS REF. ONLY

DESIGN REFERENCE	NEXT ASSEMBLY	REV	ECO	ISSUE DATE AND DESCRIPTION	DRFT	CHKD
DIVISION		DIVISION CODE		DATE		
DO NOT SCALE DRAWING		SCALE 4-1		TOLERANCES EXCEPT AS NOTED		
THIRD ANGLE PROJECTION		INTERPRET PER ASME Y14.5 - 2018		MAX SURFACE ROUGHNESS		
MARKED ONLY		INCHES .00 ± .01 .000 ± .005 .0000 ± .0002		MILLIMETERS 0 ± .00 ± .000 ± .000		
3M		3M Center St. Paul, MN 55144		© 3M COPYRIGHT 2021. This document and the information it contains are 3M property and may not be reproduced or further distributed without 3M permission, or used or disclosed other than for 3M authorized purposes. All rights reserved.		
TITLE		CAGE NUMBER		DRAWING NO.		
WMT SKT, PREASS'Y, .100" X .100", .050" PITCH CABLE		D 78-5100-0719-4		REV. F		
MODEL		3000		SHT 1 OF 4		

3M ELECTRONICS MATERIALS SOLUTIONS DIVISION
 INTERCONNECT SOLUTIONS
<http://www.3M.com/interconnect>



3M IS A TRADEMARK OF 3M COMPANY.
 FOR TECHNICAL, SALES OR ORDERING INFORMATION CALL 800-225-5373

78-5100-0719-4 DRAWING NUMBER

A

3M™ WIREMOUNT SOCKET PREASSEMBLED, 3000 SERIES
 .100" X .100" FOR .050" PITCH CABLE, (OPTIONAL PLASTIC OR METAL STRAIN RELIEF)

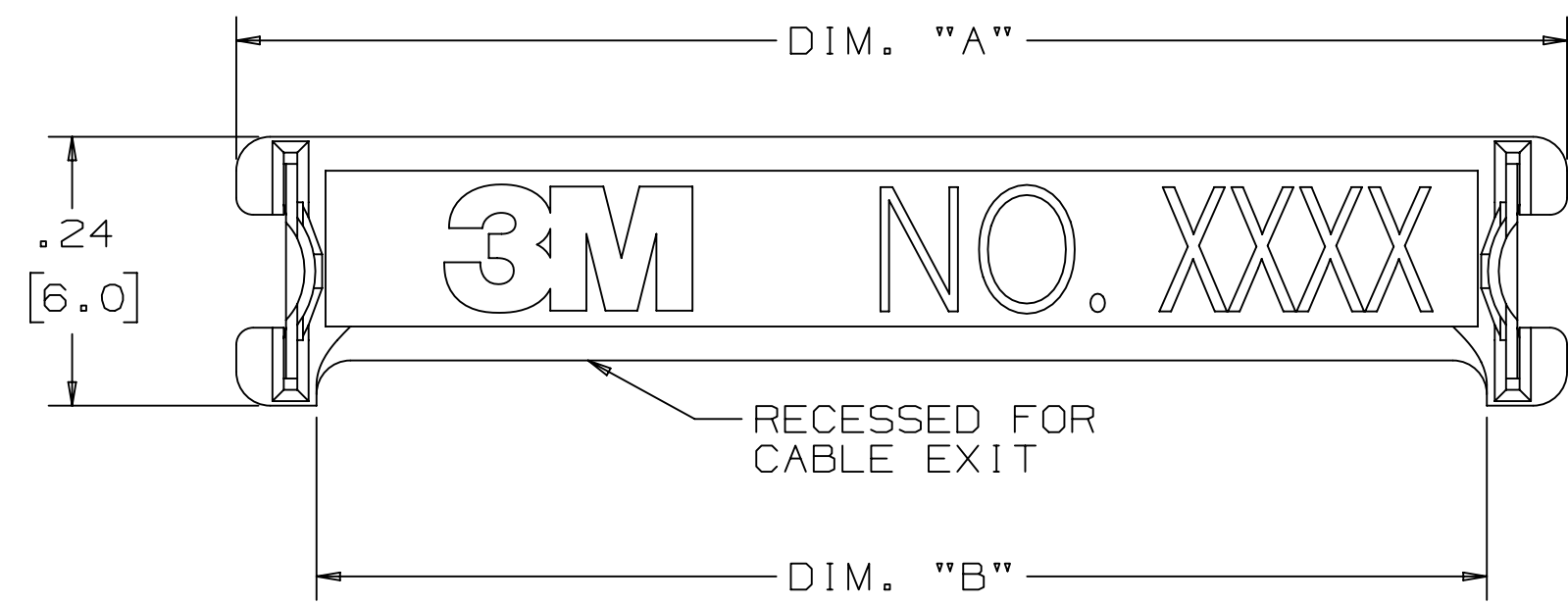
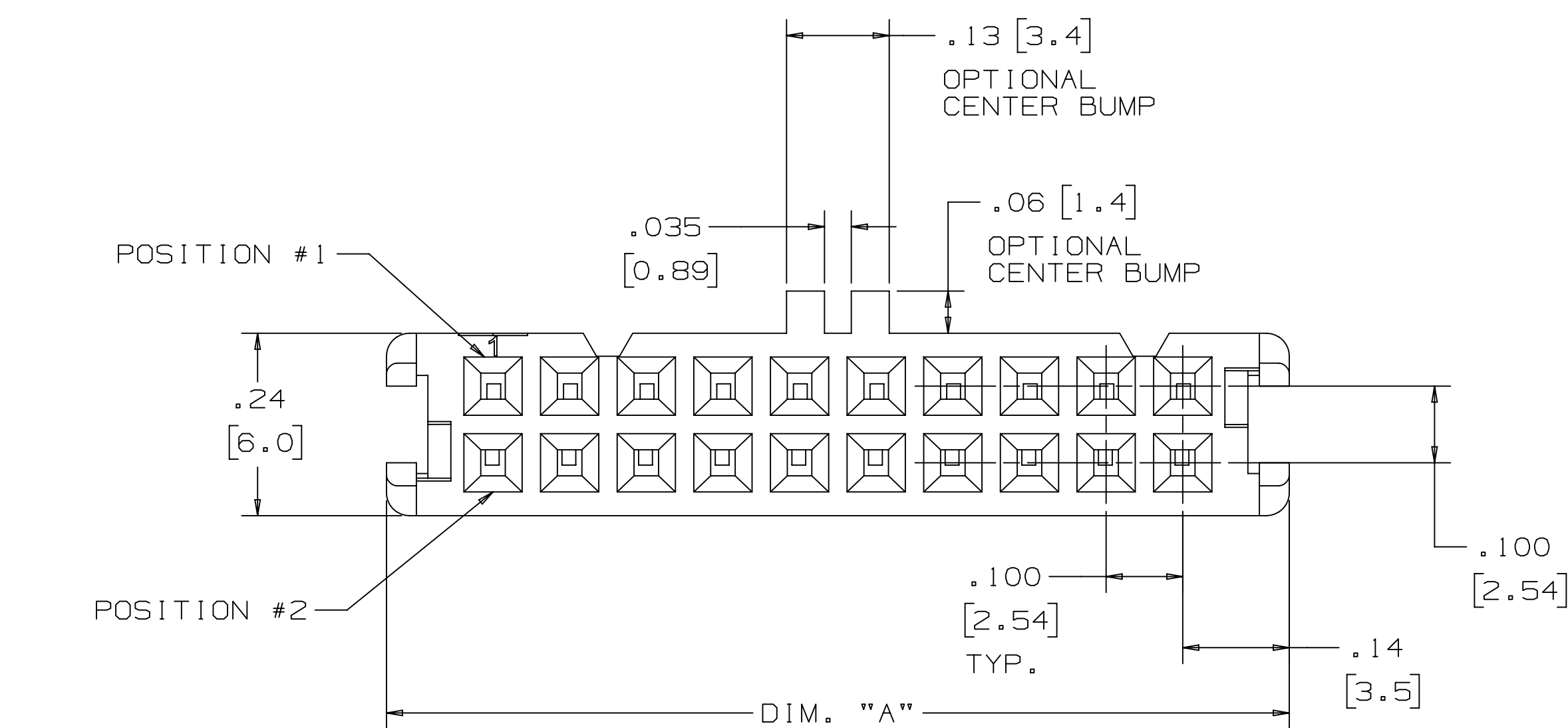
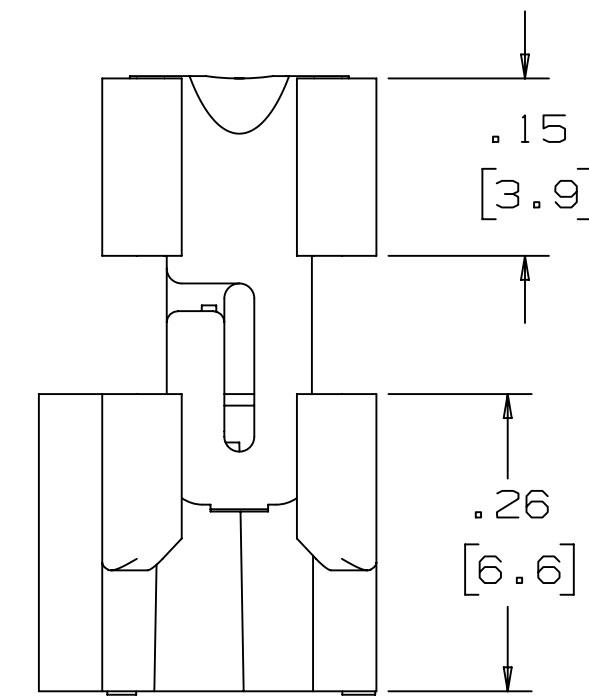
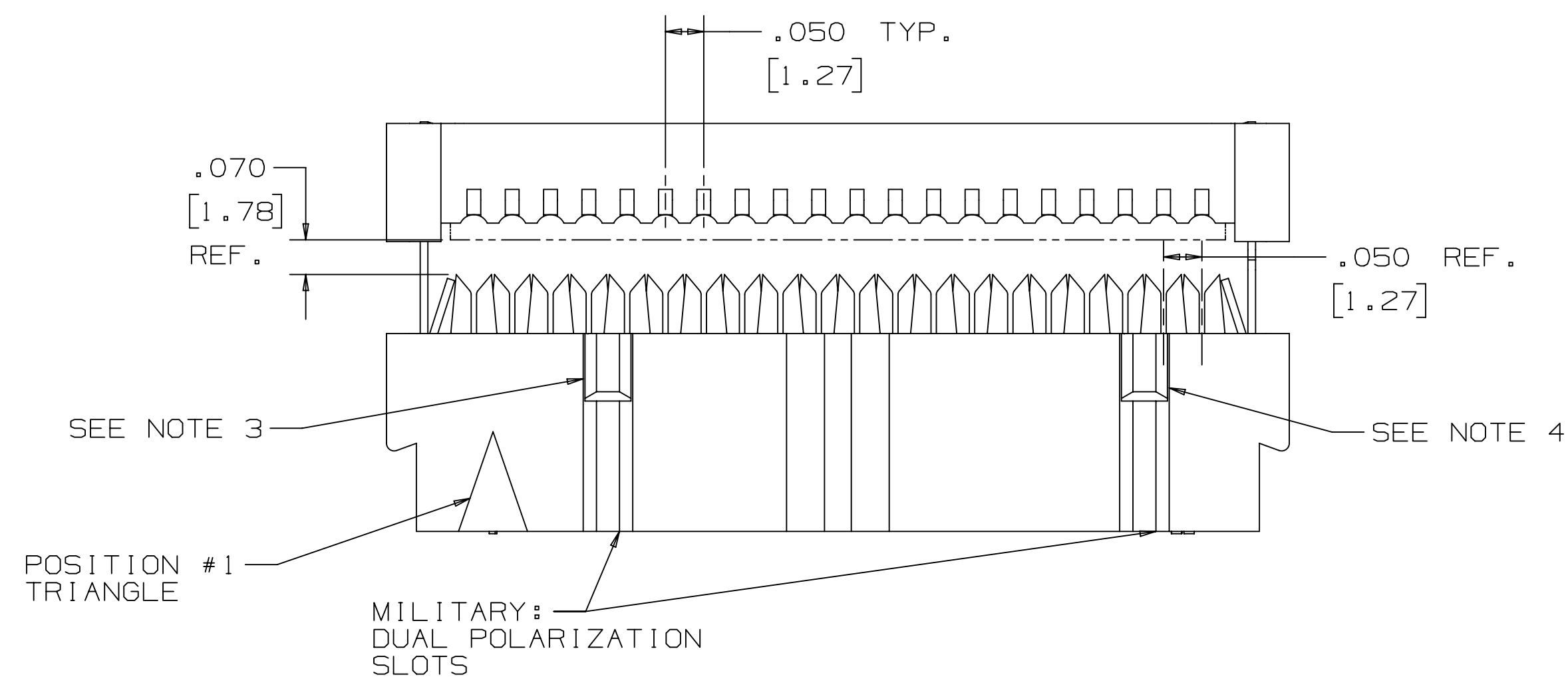


TABLE 1			
CONTACT QTY.	SOCKET SERIES	DIM. "A"	DIM. "B"
06	3863	0.48 [12.2]	0.34 [8.6]
08	3868	0.58 [14.7]	0.44 [11.2]
10	3473	0.68 [17.3]	0.54 [13.7]
14	3385	0.88 [22.4]	0.74 [18.8]
16	3452	0.98 [24.9]	0.84 [21.3]
20	3421	1.18 [30.0]	1.04 [26.4]
24	3626	1.38 [35.1]	1.24 [31.5]
26	3399	1.48 [37.6]	1.34 [34.0]
30	3419	1.68 [42.7]	1.54 [39.1]
34	3414	1.88 [47.8]	1.74 [44.2]
36	9436	1.98 [50.3]	1.84 [46.7]
40	3417	2.18 [55.4]	2.04 [51.8]
44	9444	2.38 [60.5]	2.24 [56.9]
50	3425	2.68 [68.1]	2.54 [64.5]
60	3334	3.18 [80.8]	3.04 [77.2]

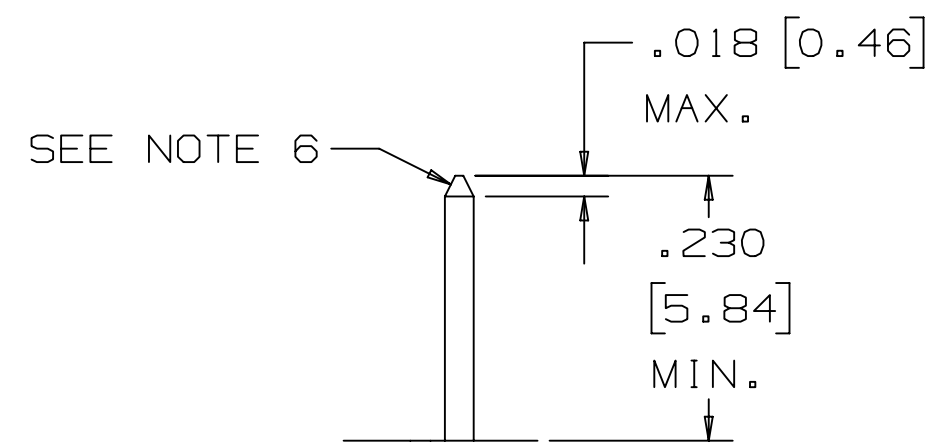
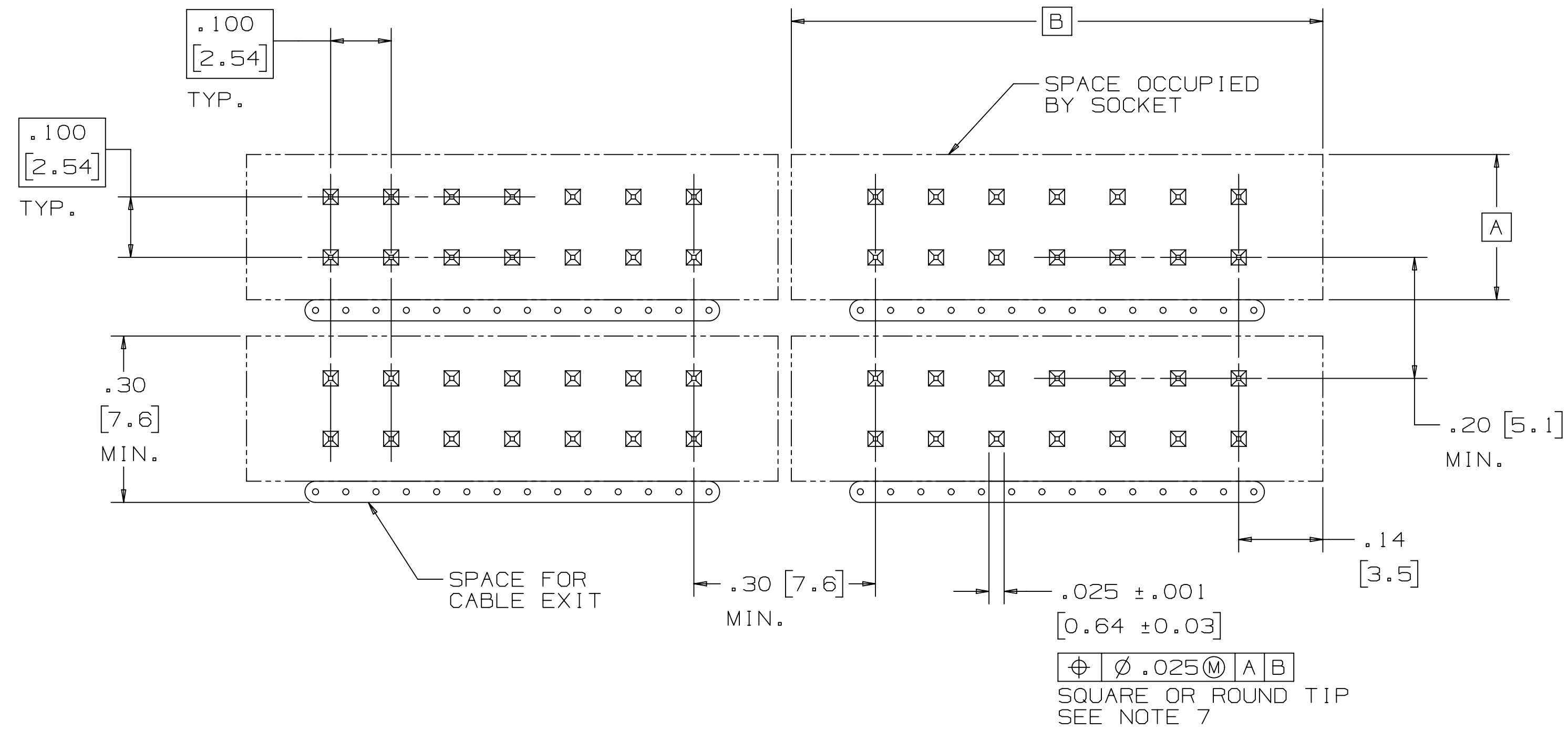


DESIGN REFERENCE		NEXT ASSEMBLY		REV	ECO	ISSUE DATE AND DESCRIPTION	DRFT	CHKD	
97305		JUN 22, 2021		JNC	SAN	REVISED AND REDRAWN			
DRFT		DATE		DATE		DATE		DATE	
CASTIGLIONE		JUN 22, 2021		MFG					
CHKD		DATE		APPR		DATE		DATE	
				S. NEU		JUN 22, 2021			
DIVISION		DIVISION CODE		EMSD		3M Center		© 3M COPYRIGHT 2021	
DO NOT SCALE DRAWING		SCALE		TOLERANCES EXCEPT AS NOTED		St. Paul, MN 55144		This document and the information it contains are 3M property and may not be reproduced or further distributed without 3M permission, or used or disclosed other than for 3M authorized purposes. All rights reserved.	
THIRD ANGLE PROJECTION		INCHES		MILLIMETERS		TITLE		WMT SKT, PREASS'Y, .100" X .100", .050" PITCH CABLE	
INTERPRET PER ASME Y14.5 - 2018		.00 ± .01		0 ± .005		CAGE NUMBER		D78-5100-0719-4	
MAX SURFACE ROUGHNESS		.0000 ± .0002		.00 ± .000		DRAWING NO.		78-5100-0719-4	
MARKED ONLY		ANGLES		REVISION		MODEL		3000	
				DET		SHT 2 OF 4		REV. F	

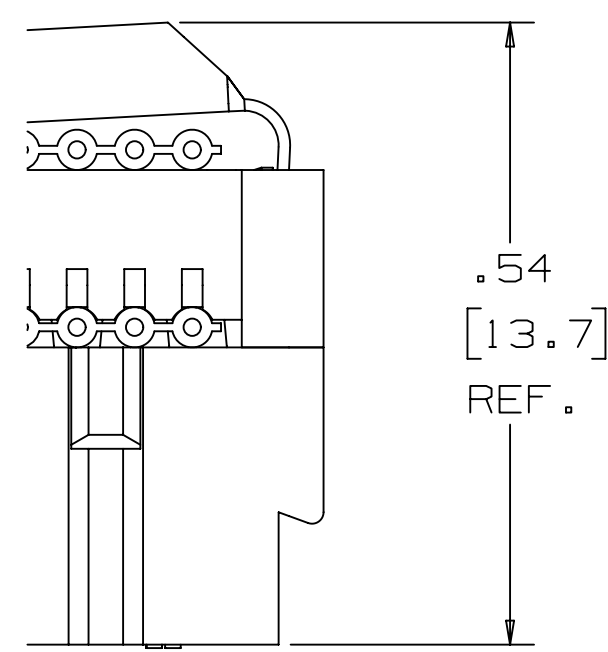
78-5100-0719-4
DRAWING NUMBER

A

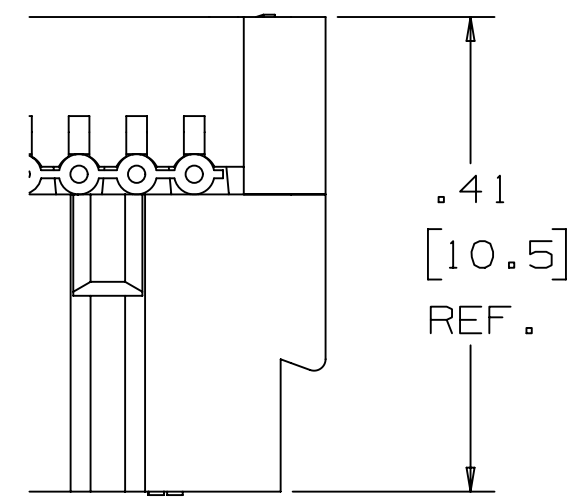
3M™ WIREMOUNT SOCKET PREASSEMBLED, 3000 SERIES
 .100" X .100" FOR .050" PITCH CABLE, (OPTIONAL PLASTIC OR METAL STRAIN RELIEF)



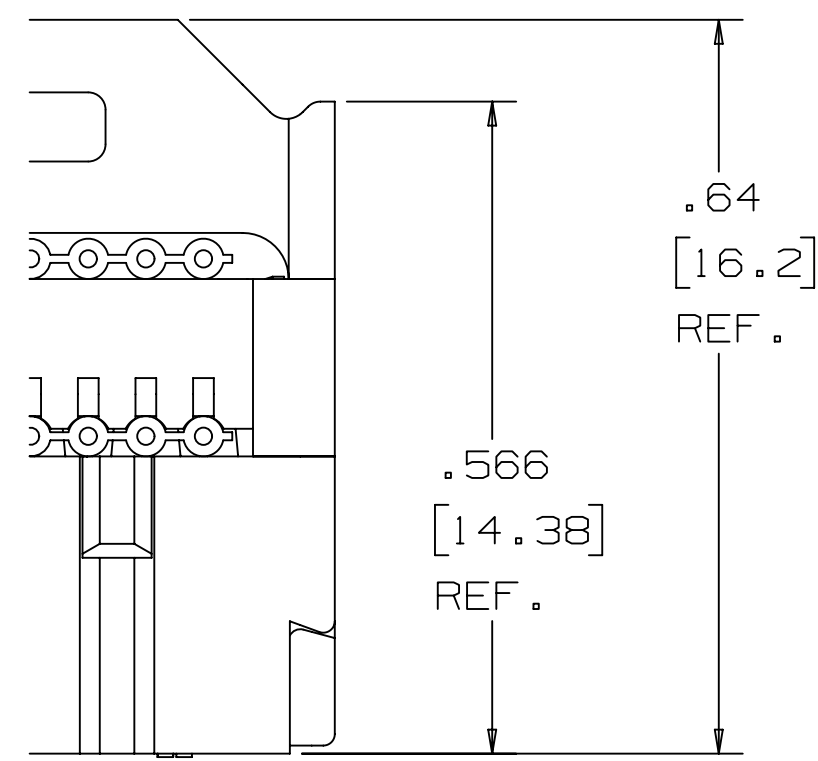
RECOMMENDED PIN PATTERN FOR STACKED CONFIGURATIONS



ASSEMBLED HEIGHT WITH METAL PROFILE STRAIN RELIEF



ASSEMBLED HEIGHT WITHOUT STRAIN RELIEF



ASSEMBLED HEIGHT WITH PLASTIC STRAIN RELIEF

DESIGN REFERENCE	NEXT ASSEMBLY	REV	ECO	ISSUE DATE AND DESCRIPTION	DRFT	CHKD
				JUN 22, 2021 REVISED AND REDRAWN	JNC	SAN
APPROVED	DATE	DATE	DATE	DATE	DATE	DATE
CASTIGLIONE	JUN 22, 2021	MFG				
CHKD	DATE	APPV	DATE	DATE	DATE	DATE
		S. NEU	JUN 22, 2021			
DIVISION	DIVISION CODE	3M Center St. Paul, MN 55144 © 3M COPYRIGHT 2021 This document and the information it contains are 3M property and may not be reproduced or further distributed without 3M permission, or used or disclosed other than for 3M authorized purposes. All rights reserved.				
DO NOT SCALE DRAWING	SCALE 6/1	TOLERANCES EXCEPT AS NOTED	INCHES .00 ± .01 .000 ± .005 .0000 ± .0002 MILLIMETERS 0 ± .00 ± .000 ±			
THIRD ANGLE PROJECTION	INTERPRET PER ASME Y14.5 - 2018	MAX. SURFACE ROUGHNESS	TITLE WMT SKT, PREASS'Y, .100" X .100", .050" PITCH CABLE			
MARKED ONLY			CAGE NUMBER	SIZE	DRAWING NO.	REV.
			D		78-5100-0719-4	F
			MODEL			
			3000			
				DET	YES	NO
					SHT 3 OF 4	

78-5100-0719-4
DRAWING NUMBER

A

3M™ WIREMOUNT SOCKET PREASSEMBLED, 3000 SERIES
 .100" X .100" FOR .050" PITCH CABLE, (OPTIONAL PLASTIC OR METAL STRAIN RELIEF)

Regulatory: For regulatory information about this product, visit 3M.com/regs or contact your 3M representative.

Technical Information: The technical information, recommendations and other statements contained in this document are based upon tests or experience that 3M believes are reliable, but the accuracy or completeness of such information is not guaranteed.

Product Use: Many factors beyond 3M's control and uniquely within user's control can affect the use and performance of a 3M product in a particular application. Given the variety of factors that can affect the use and performance of a 3M product, user is solely responsible for evaluating the 3M product and determining whether it is fit for a particular purpose and suitable for user's method of application.

Warranty, Limited Remedy, and Disclaimer: Unless an additional warranty is specifically stated on the applicable 3M product packaging or product literature, 3M warrants that each 3M product meets the applicable 3M product specification at the time 3M ships the product. 3M MAKES NO OTHER WARRANTIES OR CONDITIONS, EXPRESS OR IMPLIED, INCLUDING, BUT NOT LIMITED TO, ANY IMPLIED WARRANTY OR CONDITION OF MERCHANTABILITY OR FITNESS FOR A PARTICULAR PURPOSE OR ANY IMPLIED WARRANTY OR CONDITION ARISING OUT OF A COURSE OF DEALING, CUSTOM OR USAGE OR TRADE. If the 3M product does not conform to this warranty, then the sole and exclusive remedy is, at 3M's option, replacement of the 3M product or refund of the purchase price.

Limitation of Liability: Except where prohibited by law, 3M will not be liable for any loss or damage arising from the 3M product, whether direct, indirect, special, incidental or consequential, regardless of the legal theory asserted, including warranty, contract, negligence or strict liability.

3M Company
 Electronics Materials Solutions Division
 13011 McCallen Pass, Bldg. C
 Austin, TX 78753-5380
 1-800-225-5373
www.3M.com/interconnect

DESIGN REFERENCE		NEXT ASSEMBLY		REV	ECO	ISSUE DATE AND DESCRIPTION		DRFT	CHKD
97305		JUN 22, 2021		JNC	SAN	REVISED AND REDRAWN			
OFFT		DATE		MFG		DATE			
CASTIGLIONE		JUN 22, 2021				JUN 22, 2021			
CHKD		DATE		APPRV		DATE			
				S. NEU		JUN 22, 2021			
DIVISION		DIVISION CODE		3M Center		© 3M COPYRIGHT 2021			
DO NOT SCALE DRAWING		SCALE 8/1		St. Paul, MN 55144		This document and the information it contains are 3M property and may not be reproduced or further distributed without 3M permission, or used or disclosed other than for 3M authorized purposes. All rights reserved.			
THIRD ANGLE PROJECTION		TOLERANCES EXCEPT AS NOTED		TITLE		WMT SKT, PREASS'Y, .100" X .100", .050" PITCH CABLE			
INTERPRET PER ASME Y14.5 - 2018		INCHES .00 ± .01 .000 ± .005 .0000 ± .0002		CAGE NUMBER		DRAWING NO.		REV.	
MAX SURFACE ROUGHNESS		MILLIMETERS 0 ± .00 ± .000 ±		D78-5100-0719-4		F			
MARKED ONLY		ANGLES ±		MODEL		3000		DET. [] YES [X] NO SHT 4 OF 4	

78-5100-0719-4
DRAWING NUMBER
Revision