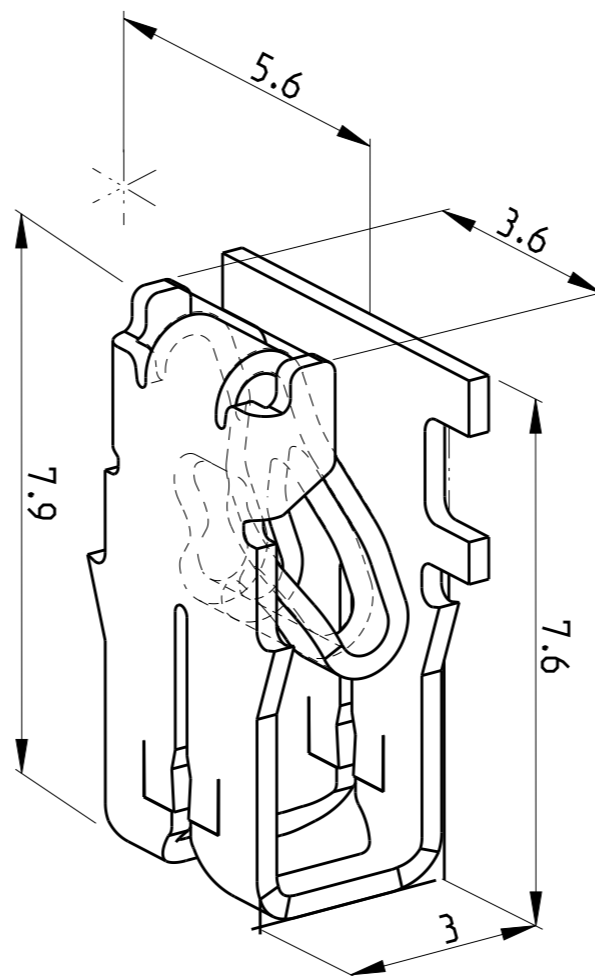
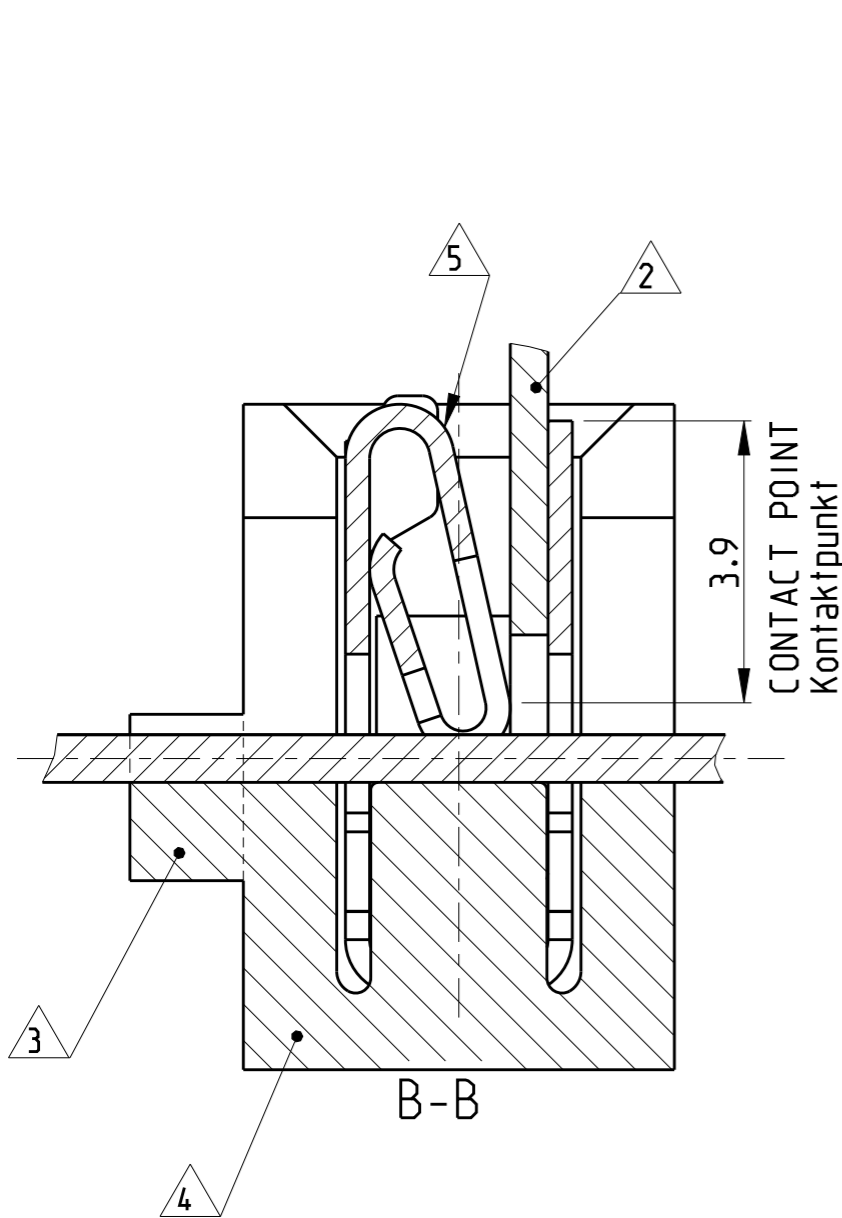
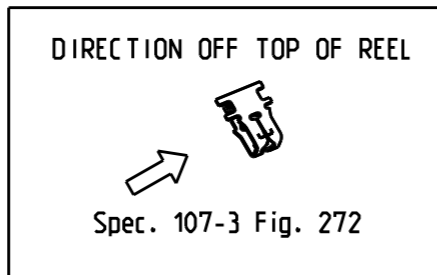


LOC	DIST	REVISIONS			
P	LTR	DESCRIPTION	DATE	DWN	APVD
	C	REVISED PER ECR-19-009725	03JUL2019	BDA	SV
	C1	REVISED PER ECR-19-015041	06NOV2019	PC	MB



- 1 SLOT ACCEPTS:
SINGLE OR DOUBLE MAGNET WIRE
SAME DIAMETERS 0.40...0.63 mm DIA
Kontakt geeignet für Lackdraht:
Lackdraht \varnothing 0.40...0.63 mm
(Einzeldraht oder zwei Drähte gleichen Durchmessers)
- 2 POKE IN TAB TERMINAL 3.4x0.5mm
Poke in Flachstecker 3.4x0.5mm
- 3 AREA WILL BE CUT BY TERMINATION
Bereich wird beim Kontaktieren abgetrennt
- 4 CAVITY ACCORDING TO TE SPEC. 411-18512
Kontakt Kammer nach TE Spec. 411-18512
- 5 IDENTIFICATION NO. FOR MAGNET WIRE RANGE (10)
Kennziffer für Lackdrahtbereich (10)
- 6 REELED WITH INTERLEAVE PAPER.
ABGEWICKELT MIT INTERLEAVE-PAPIER.

	1740149-6	B	-	CuNiSi	NICKEL	MAG MATE LEAF TERMINAL	-
	1740149-3	A	-	CuZn	PRE TINNED	MAG MATE LEAF TERMINAL	-
	1740149-2	B	-	CuNiSi	PRE TINNED	MAG MATE LEAF TERMINAL	-
OBSOLETE	1740149-1	B	-	CuNiSi	BLANK	MAG MATE LEAF TERMINAL	-
	PART NO	REV.	PCS.	MATERIAL	SURFACE COLOUR	DESCRIPTION	ITEM NO



THIS DRAWING IS A CONTROLLED DOCUMENT.

DIMENSIONS: mm	TOLERANCES UNLESS OTHERWISE SPECIFIED: 0 PLC \pm 1 PLC \pm 2 PLC \pm 3 PLC \pm 4 PLC \pm ANGLES $\pm 1^\circ$ FINISH	DWN H. Ballmert 06-02-04 CHK H. Ploesser 06-02-04 APVD - PRODUCT SPEC 108-2012 APPLICATION SPEC 114-2046 WEIGHT - CUSTOMER DRAWING	STE TE Connectivity NAME MAG MATE LEAF TERMINAL MARK II SIZE A3 CAGE CODE 00779 DRAWING NO C-1740149 RESTRICTED TO SCALE 10:1 SHEET 1 OF 1 REV C1
-------------------	---	--	---