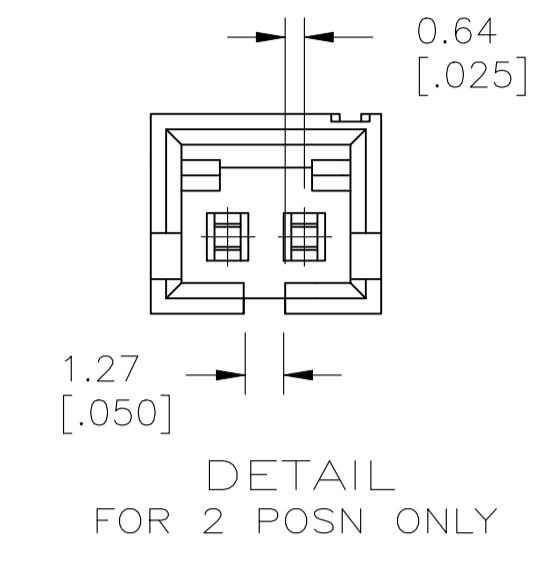
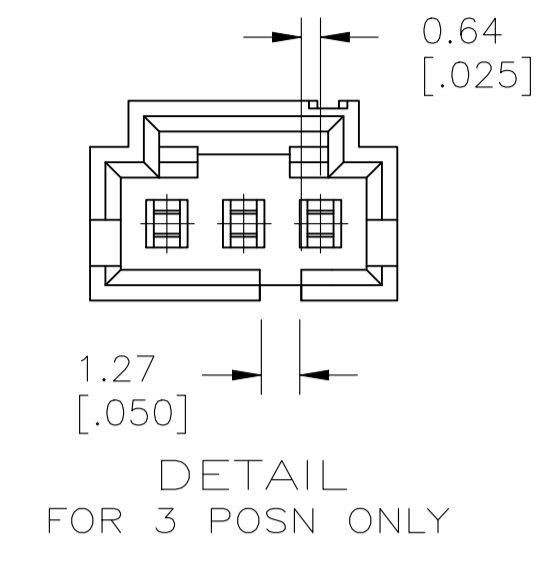
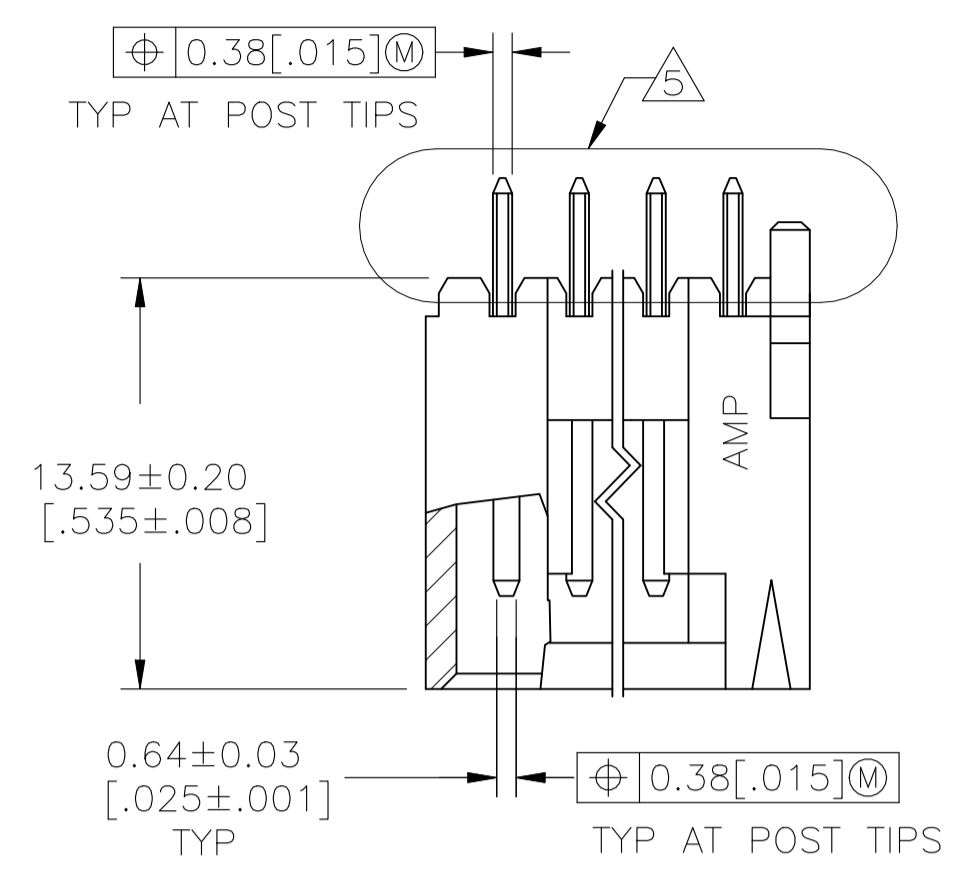
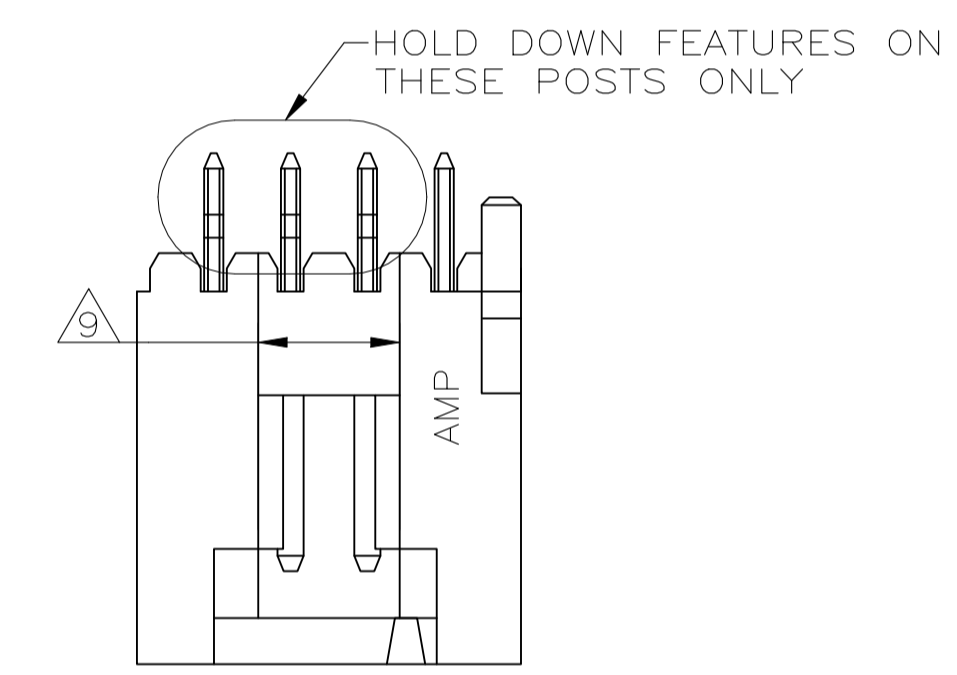
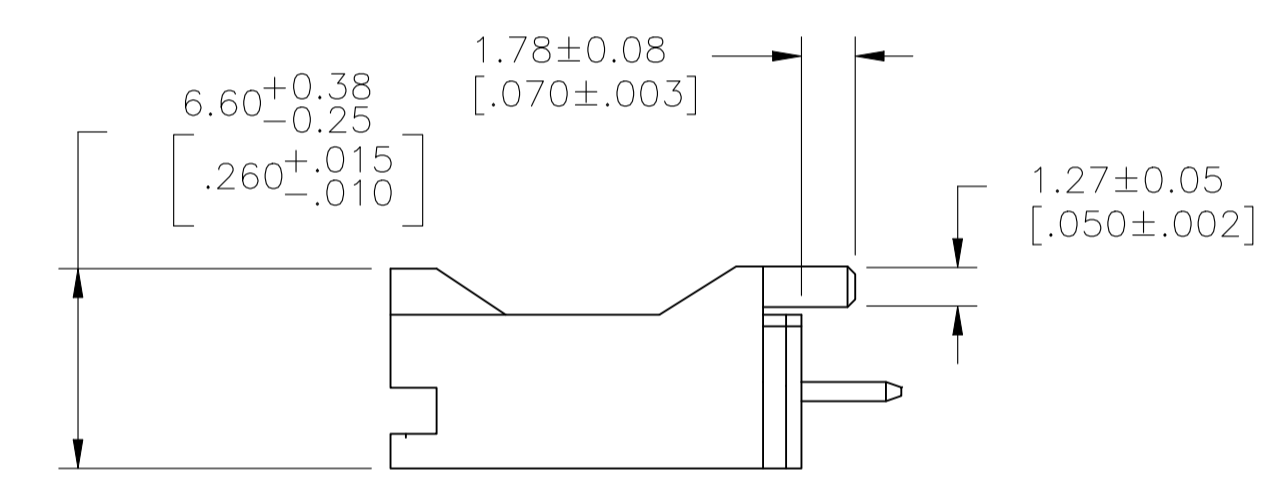
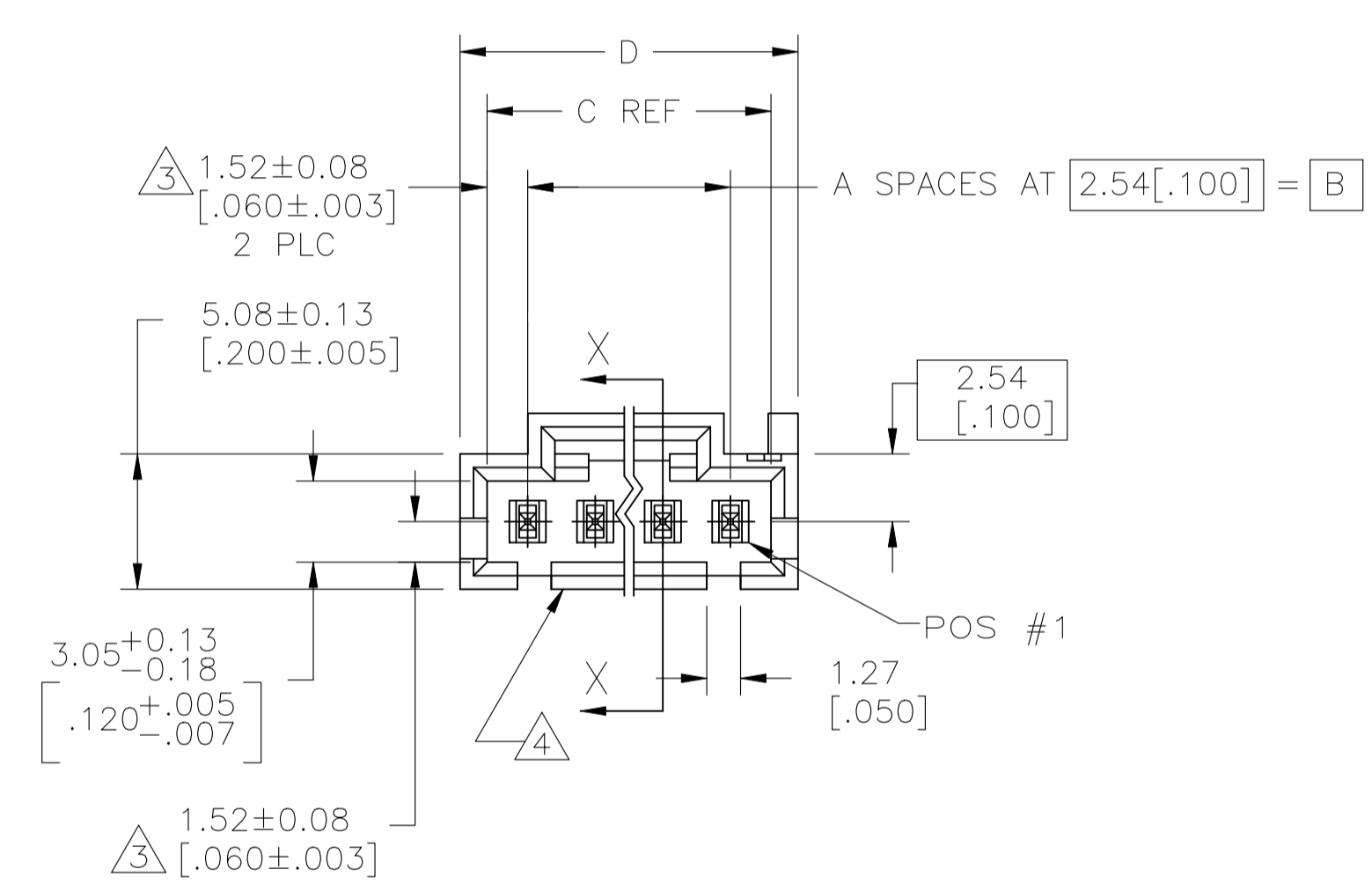


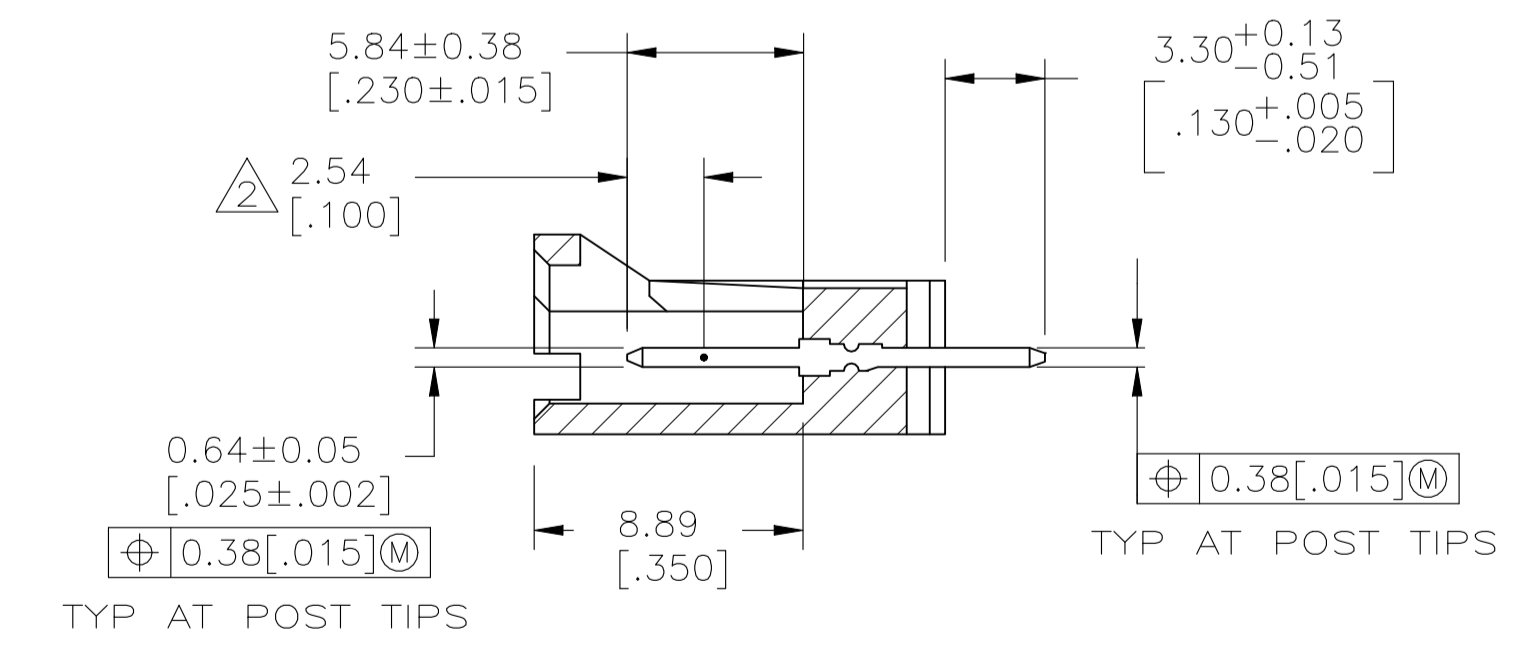
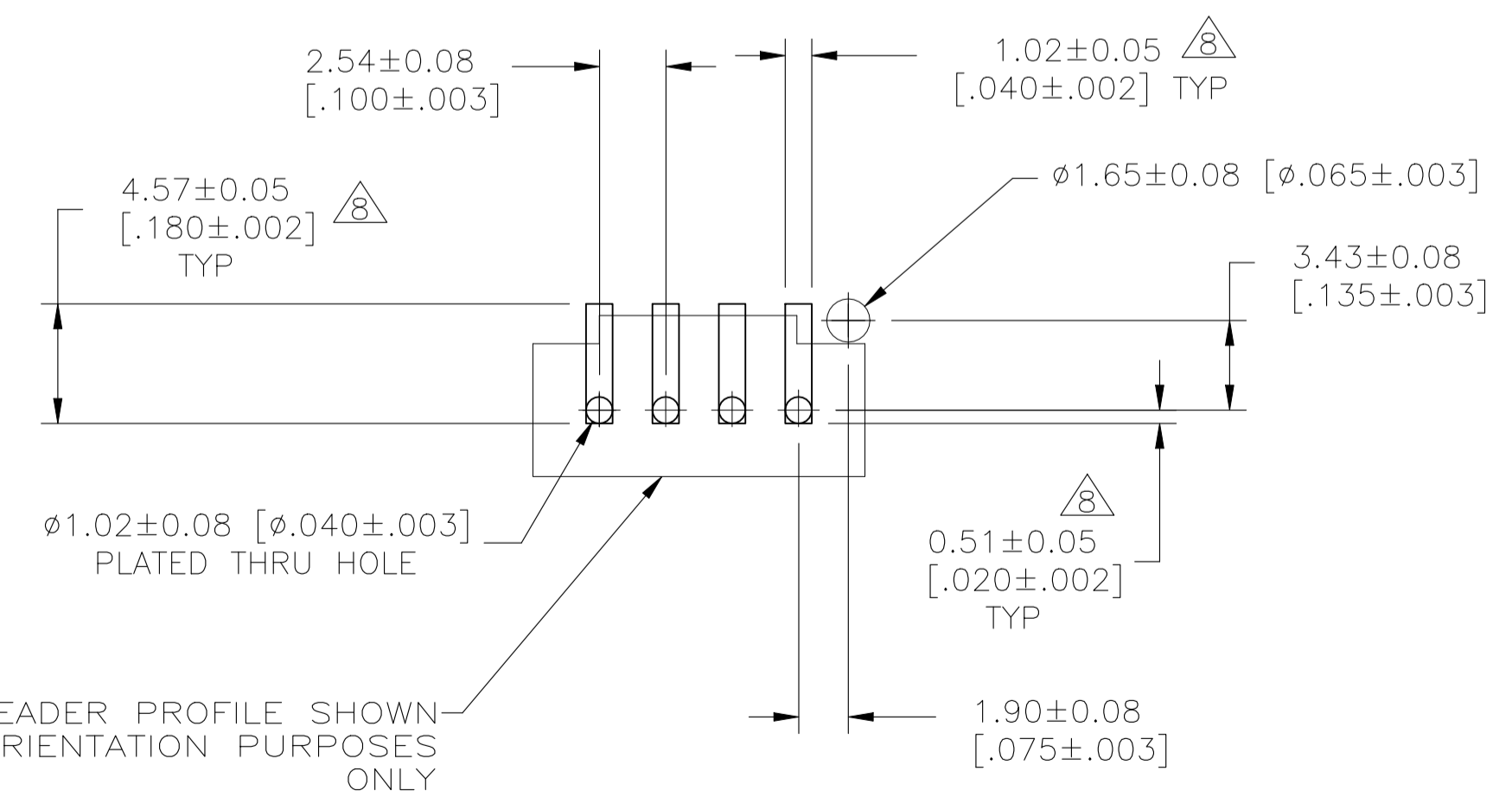
REVISIONS					
REV	DATE	DESCRIPTION	BY	CHK	APPV
A	03JUN2020	REVISED PER ECO-20-001912	SB	JO	



- ① 0.00254-0.00508 [.000100-.000200] TIN OVER
0.00127 [.000050] NICKEL.
- ② POINT OF MEASUREMENT FOR PLATING THICKNESS
- ③ THESE DIMENSIONS APPLY WHERE THE POST INTERSECTS THE HOUSING
- ④ ON ASSEMBLIES WITH FOUR OR MORE POSITIONS, TWO POLARIZATION SLOTS.
- ⑤ SELECT POST TAILS FORMED TO PROVIDE CONNECTOR HOLD DOWN UNTIL SOLDERED (SEE DETAIL Z).
- ⑥ MATERIAL: HOUSING- HIGH TEMP THERMOPLASTIC, COLOR-SEE TABLE.
POSTS- BRASS.
- ⑦ PRELIMINARY PART - NOT RELEASED FOR PRODUCTION.
- ⑧ DIMENSIONS NOTED ARE FOR SOLDER STENCIL LAYOUT USE WITH 1.58±0.20[.062±.008] THICK PRINTED CIRCUIT BOARDS.
- ⑨ 0.25 [.010] RECESS PERMISSIBLE IN THIS AREA FOR MOLD SHUT OFF



HOLD DOWN CONFIGURATION FOR 4 POSITION ASSEMBLY ONLY



SECTION X-X

REV	DATE	DESCRIPTION	BY	CHK	APPV		
①		15.24 [.600]	13.21 [.520]	10.16 [.400]	4	5	1571194-4
②		12.7 [.500]	10.67 [.420]	7.62 [.300]	3	4	1571194-3
③		10.16 [.400]	8.13 [.320]	5.08 [.200]	2	3	1571194-2
④		7.62 [.300]	5.59 [.220]	2.54 [.100]	1	2	1571194-1

HEADER PROFILE SHOWN FOR ORIENTATION PURPOSES ONLY

RECOMMENDED PC BOARD MOUNTING DIMENSIONS
RECOMMENDED STENCIL THICKNESS = 0.25[.010]



THIS DRAWING IS A CONTROLLED DOCUMENT.

DIMENSIONS: mm [INCHES]	TOLERANCES UNLESS OTHERWISE SPECIFIED: 0 PLC ± - 1 PLC ± - 2 PLC ± - 3 PLC ± 0.38 [.005] 4 PLC ± - ANGLES ± -	REVISED PER ECO-20-001912	DATE: 03JUN2020	BY: SB	CHK: JO	APPV: JO	NAME: J. GESFORD	PRODUCT SPEC: 108-25034	APPLICATION SPEC: -	SIZE: A1	CAGE CODE: 00779	DRAWING NO: 1571194	RESTRICTED TO: -
----------------------------	---	---------------------------	-----------------	--------	---------	----------	------------------	-------------------------	---------------------	----------	------------------	---------------------	------------------

MATERIAL: SEE NOTE 6
FINISH: SEE NOTE 1
WEIGHT: -
CUSTOMER DRAWING

SCALE: 4:1
SHEET: 1 of 1
REV: A