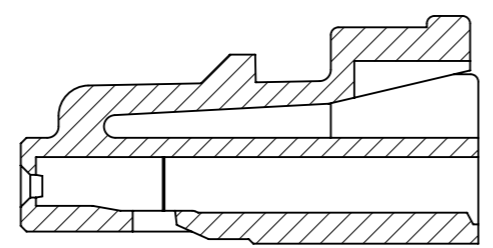
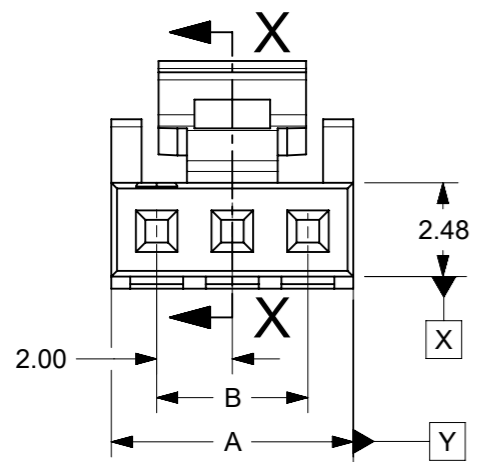
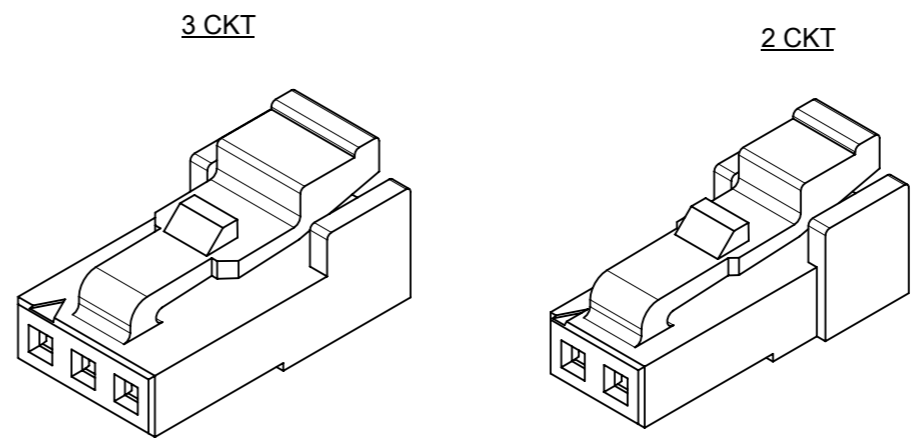
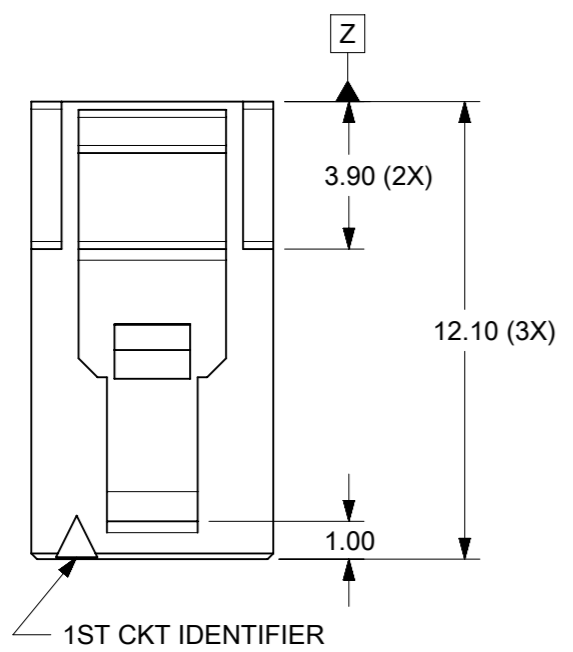
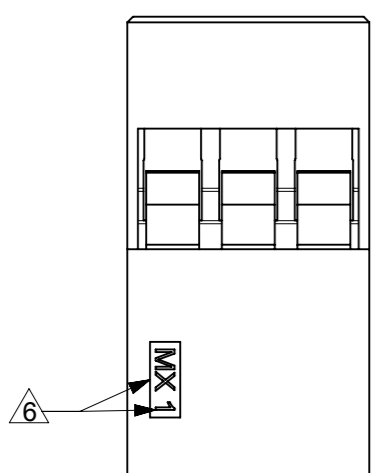
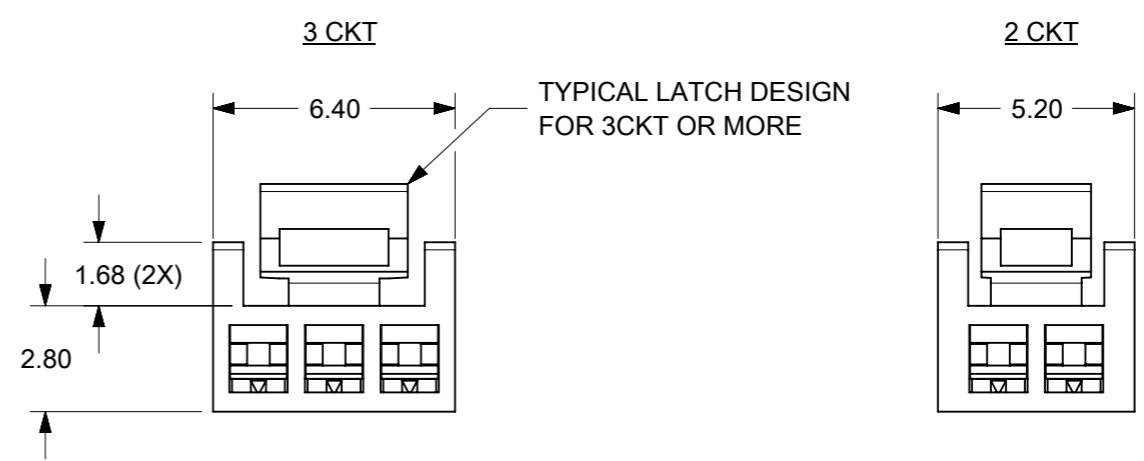


MATERIAL NO.	CKT SIZE	DIM A	DIM B
1511000002	2	5.20	2.00
1511000003	3	6.40	4.00
1511000004	4	8.40	6.00
1511000005	5	10.40	8.00
1511000006	6	12.40	10.00
1511000007	7	14.40	12.00
1511000008	8	16.40	14.00
1511000009	9	18.40	16.00
1511000010	10	20.40	18.00



SECTION X-X

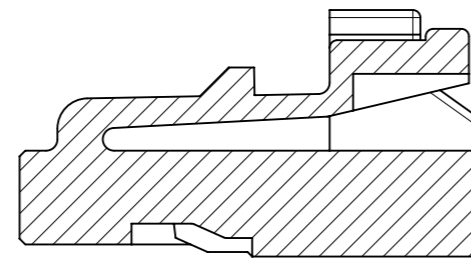
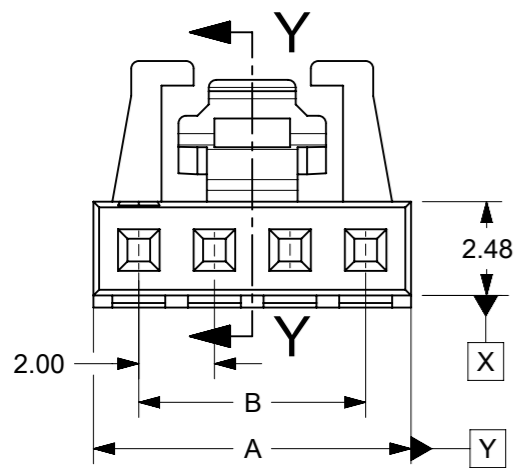
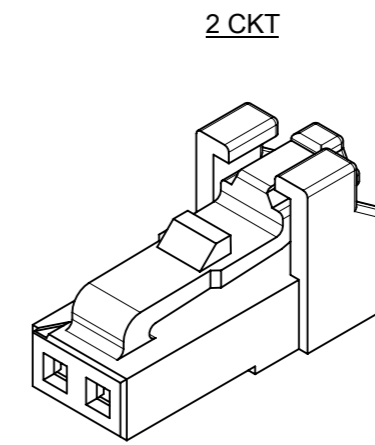
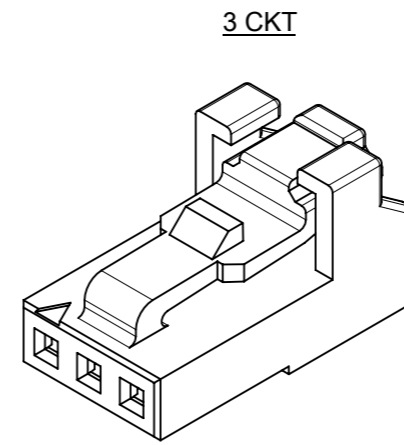
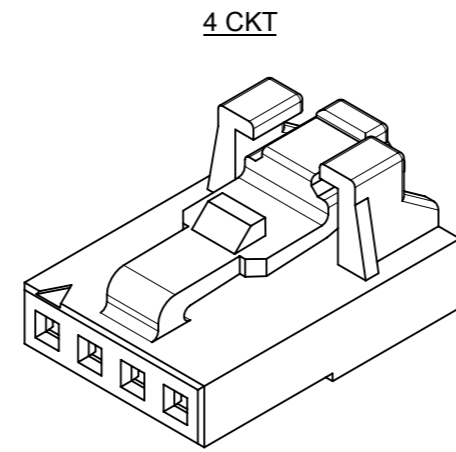
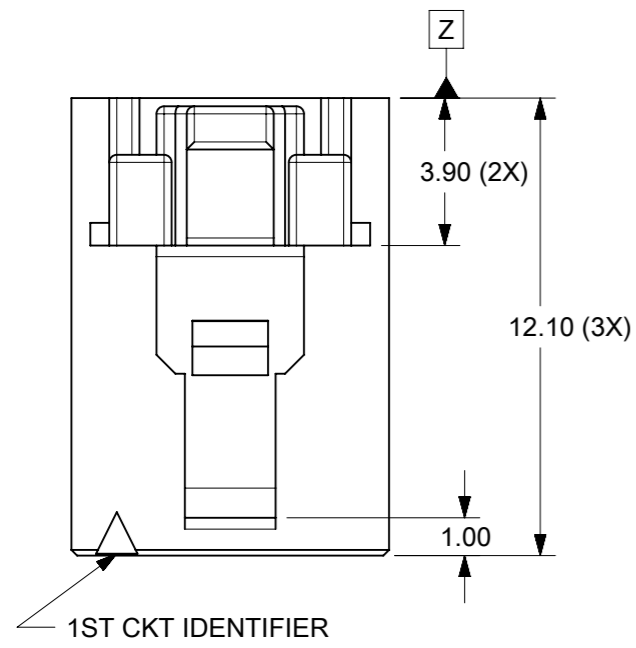


- NOTES:
1. MATERIAL: NON GLASS FILLED THERMOPLASTIC, BLACK, UL94V-0.
 2. PRODUCT SPECIFICATIONS: PS-151062-0001.
 3. PACKAGING: TRAY.
PACKAGING SPECIFICATION: PK-151100-0001.
 4. HOUSING TO BE ASSEMBLED WITH MOLEX FEMALE CRIMP TERMINAL: 50394-****.
 5. HOUSING TO BE MATED WITH MOLEX PCB HEADER AND CRIMP HEADER SERIES: 151062, 151063, 151064, 151065, 151098
 6. MANUFACTURER ID AND CAVITY NO. IS LOCATED APPROXIMATELY AS SHOWN.

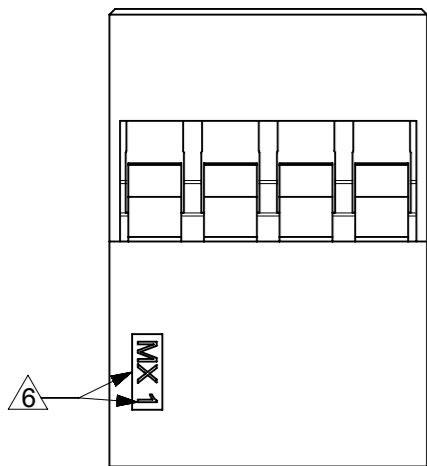
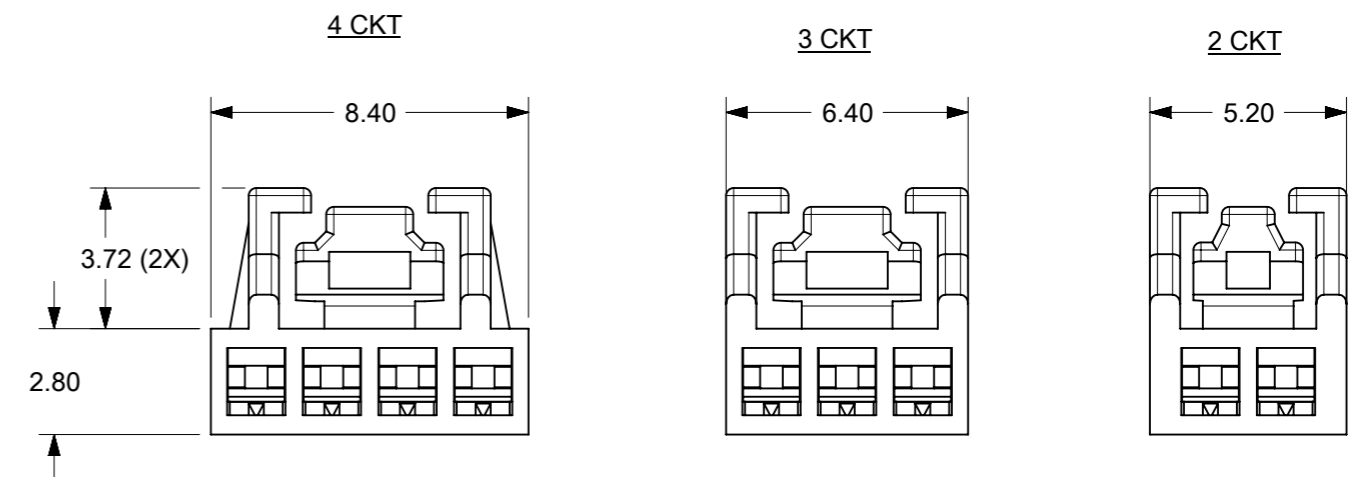
FUNCTIONAL SYMBOLS	THIS DRAWING CONTAINS INFORMATION THAT IS PROPRIETARY TO MOLEX ELECTRONIC TECHNOLOGIES, LLC AND SHOULD NOT BE USED WITHOUT WRITTEN PERMISSION			
	$\nabla_A = 0$ $\nabla_F = 0$ $\nabla_P = 0$	DIMENSION UNITS: mm SCALE: NTS		
DIVISIONAL SYMBOLS	GENERAL TOLERANCES (UNLESS SPECIFIED)		PRODUCT CUSTOMER DRAWING	
	ANGULAR TOL $\pm 3.0^\circ$ 4 PLACES \pm 3 PLACES \pm 2 PLACES ± 0.2 1 PLACE \pm 0 PLACES \pm	EC NO: 708408 DRWN: PAWANC 2022/04/29 CHK'D: DANUSA 2022/05/27 APPR: MRAMAKRISHNA 2022/05/30	INITIAL REVISION: DRWN: FCSSO 2015/01/07 APPR: KHLIM 2015/07/02	DOCUMENT NUMBER: SD-151100-0001 DOC TYPE: PSD DOC PART: 001 REVISION: B
DRAFT WHERE APPLICABLE MUST REMAIN WITHIN DIMENSIONS		THIRD ANGLE PROJECTION	DRAWING: A3-SIZE	SHEET NUMBER: 1 OF 2

WITH LATCH STOPPER

MATERIAL NO.	CKT SIZE	DIM A	DIM B
1511000102	2	5.20	2.00
1511000103	3	6.40	4.00
1511000104	4	8.40	6.00
1511000105	5	10.40	8.00
1511000106	6	12.40	10.00
1511000107	7	14.40	12.00
1511000108	8	16.40	14.00
1511000109	9	18.40	16.00
1511000110	10	20.40	18.00



SECTION Y-Y



FUNCTIONAL SYMBOLS FA = 0 FE = 0 FE = 0	THIS DRAWING CONTAINS INFORMATION THAT IS PROPRIETARY TO MOLEX ELECTRONIC TECHNOLOGIES, LLC AND SHOULD NOT BE USED WITHOUT WRITTEN PERMISSION	CURRENT REV DESC: REMASTERED IN ECTR AND ADDED SHEET 2				
	DIMENSION UNITS: mm SCALE: NTS GENERAL TOLERANCES (UNLESS SPECIFIED): ANGULAR TOL ± 3.0° 4 PLACES ± 3 PLACES ± 2 PLACES ± 0.2 1 PLACE ± 0 PLACES ±	EC NO: 708408 DRWN: PAWANC CHK'D: DANUSA APPR: MRAMAKRISHNA	2022/04/29 2022/05/27 2022/05/30			
DIVISIONAL SYMBOLS	DRAFT WHERE APPLICABLE MUST REMAIN WITHIN DIMENSIONS THIRD ANGLE PROJECTION DRAWING: A3-SIZE SERIES: 151100	INITIAL REVISION: DRWN: FCSSO APPR: KHLIM 2015/01/07 2015/07/02	DOCUMENT NUMBER: SD-151100-0001 DOC TYPE: PSD DOC PART: 001 REVISION: B	MATERIAL NUMBER: SEE TABLE CUSTOMER: GENERAL MARKET SHEET NUMBER: 2 OF 2		