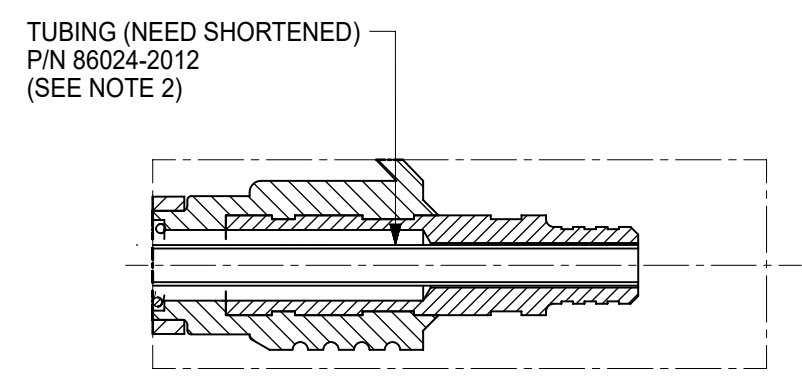
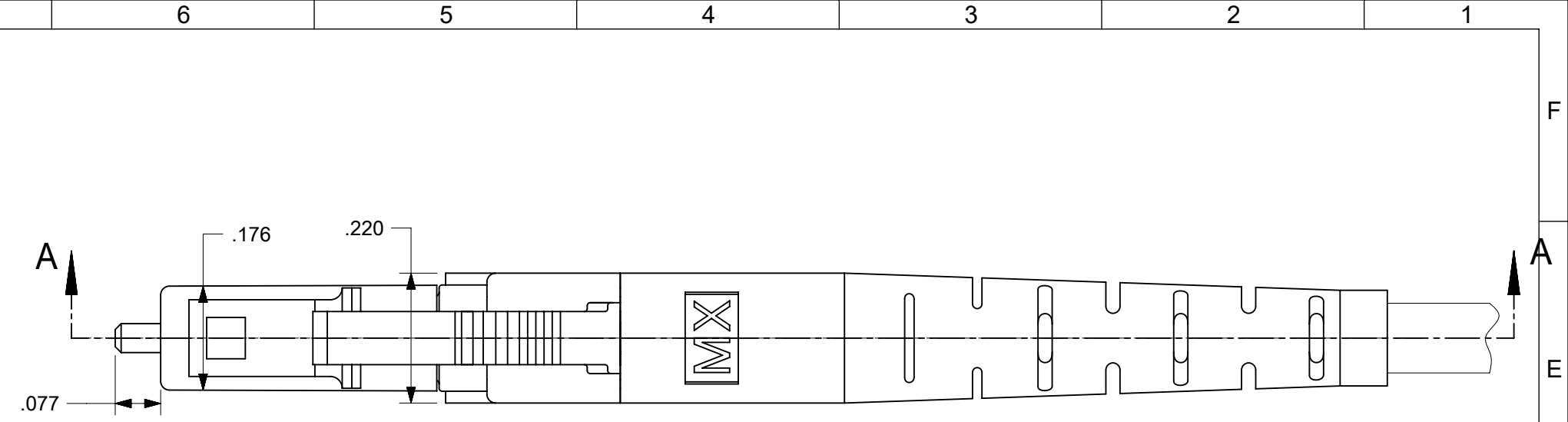
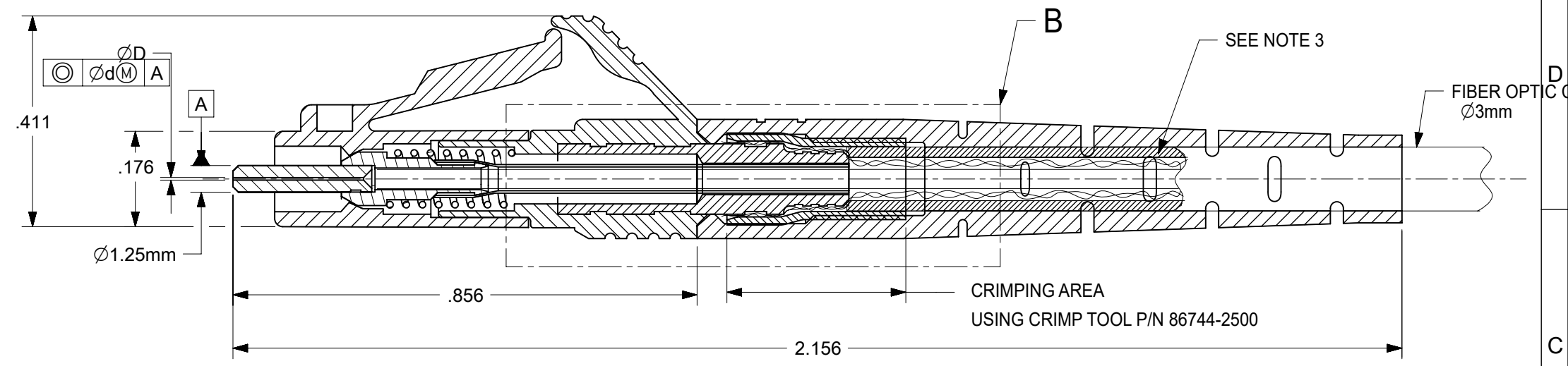


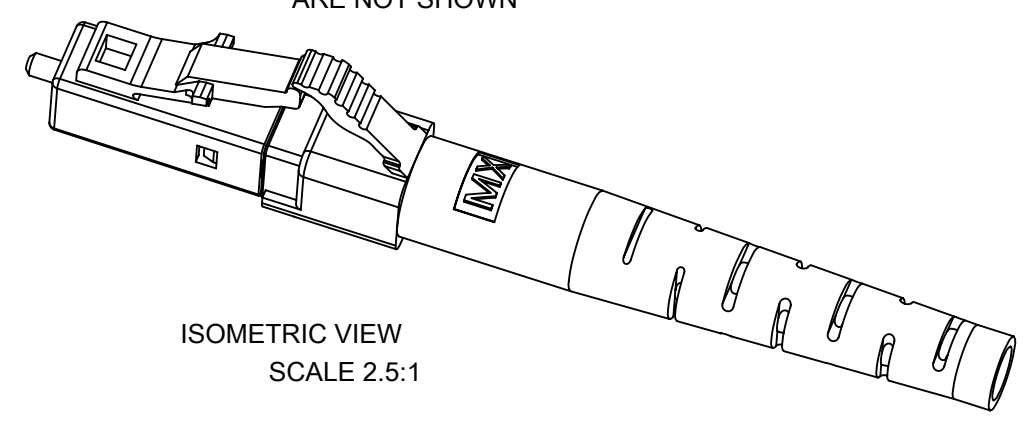
| CONNECTOR P/N | ØD (µm) | Ød (µm) | FERRULE MATERIAL | CONN.BODY COLOR | CONN.Boot COLOR | CABLE TYPE |
|---------------|---------|---------|------------------|-----------------|-----------------|-------------|
| 106024-2250 | 125.5 | 1 | ZR | BLUE | WHITE | SINGLE MODE |
| 106024-3250 | 127 | 3 | | BEIGE | | MUTIMODE |
| 106024-3260 | 127 | 1 | | BLUE | | SINGLE MODE |
| 106024-4250 | 125 | | | | | |
| 106024-5250 | 126 | | | | | |
| 106024-5251 | 126 | 0.5 | LOW COST ZR | BEIGE | MUTIMODE | |
| 106024-6250 | 125.25 | | | | BLUE | SINGLE MODE |
| 106024-2270 | 125.5 | 0.5 | | | | |
| 106024-3259 | 127 | 3 | | | | |
| 106024-5259 | 126 | 1 | | | | |



DETAIL B
BOOT (ITEM 2) AND CRIMP TUBING (ITEM 3)
ARE NOT SHOWN



SECTION A-A



ISOMETRIC VIEW
SCALE 2.5:1

- NOTES:
1. ALL DIMENSION ARE FOR REFERENCE ONLY.
 2. DUST CAP NOT SHOWN.
 3. P/N 106024-5251 AND 106024-3260 ARE BULK PACKAED IN QUANTITY OF 100 PIECES.
 4. TUBING (SEE DETAIL B) MUST BE SHORTENED AFTER FILLING THE EPOXY ACCORDING TO THE TERMINATION PROCEDURE P/N PS-86028-2000

| | | | | | | | | | |
|---|--|------------------------|--|-------------------|--|----------------|--|-------------------|--|
| THIS DRAWING CONTAINS INFORMATION THAT IS PROPRIETARY TO MOLEX ELECTRONIC TECHNOLOGIES, LLC AND SHOULD NOT BE USED WITHOUT WRITTEN PERMISSION | | | | | | | | | |
| DIMENSION UNITS INCH | | SCALE 4:1 | | CURRENT REV DESC: | | | | molex | |
| GENERAL TOLERANCES (UNLESS SPECIFIED) | | ANGULAR TOL ± 0.5° | | EC NO: 695254 | | | | | |
| 4 PLACES ± | | 3 PLACES ± | | 2 PLACES ± | | 1 PLACE ± | | 0 PLACES ± | |
| DRWN: JHUANG18 | | 2022/02/16 | | CHKD: IGUMIN | | 2022/04/29 | | APPR: IGUMIN | |
| DRWN: PGIBLIN | | 2006/02/07 | | APPR: IGUMIN | | 2006/02/07 | | INITIAL REVISION: | |
| DRAFT WHERE APPLICABLE MUST REMAIN WITHIN DIMENSIONS | | THIRD ANGLE PROJECTION | | DRAWING | | SERIES | | MATERIAL NUMBER | |
| B-SIZE | | 106024 | | SEE TABLE | | GENERAL MARKET | | 1 OF 1 | |
| DOCUMENT NUMBER | | SD-106024-X250 | | DOC TYPE | | PSD | | DOC PART | |
| REVISION | | 001 | | REVISION | | B2 | | | |