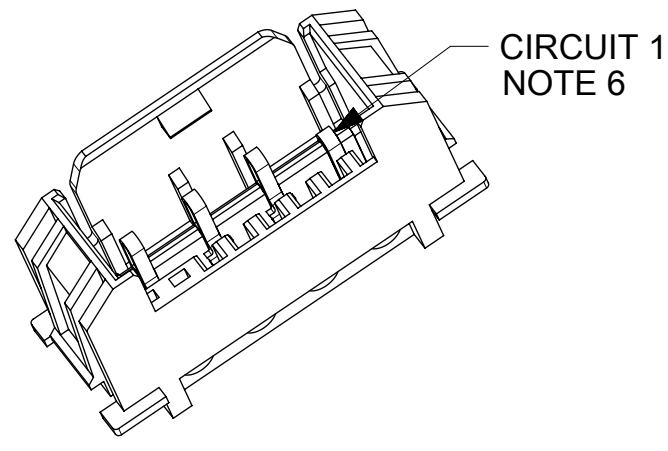
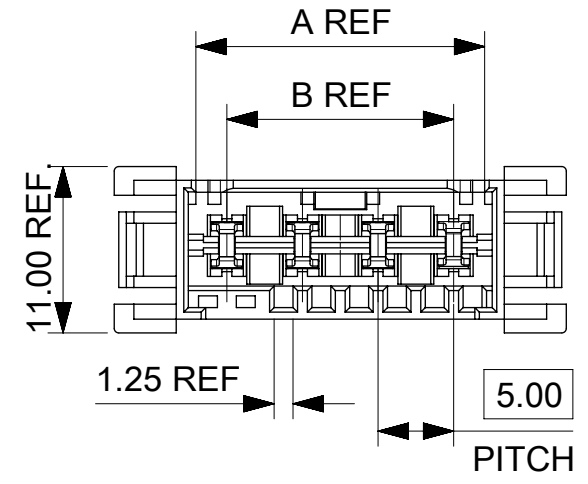
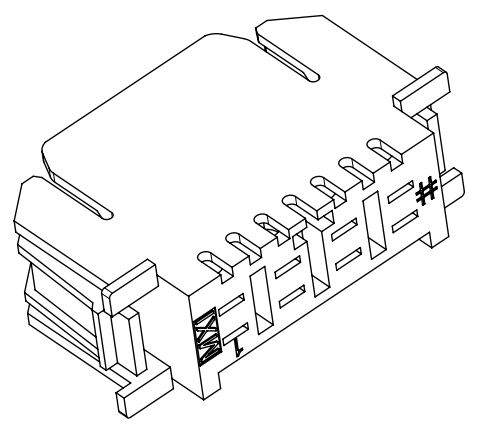
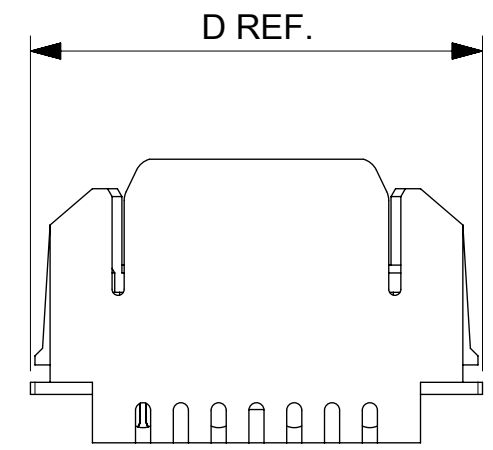
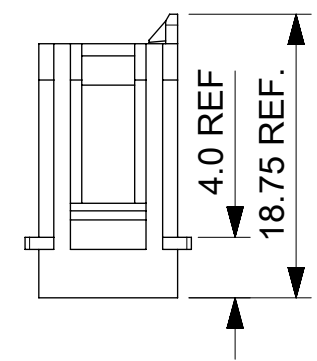
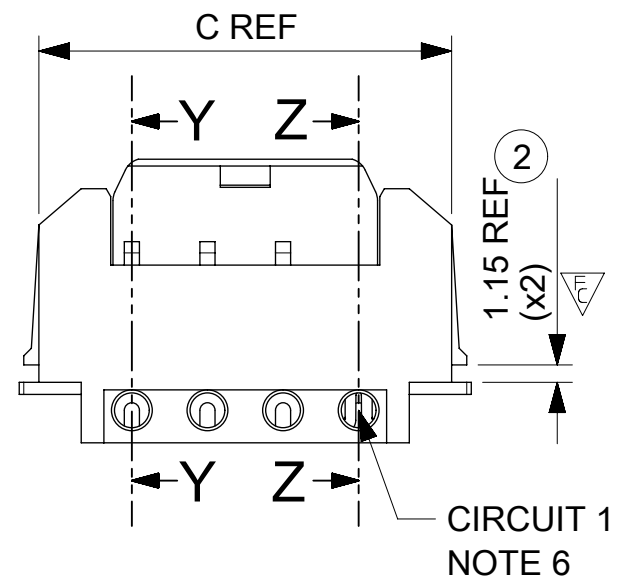
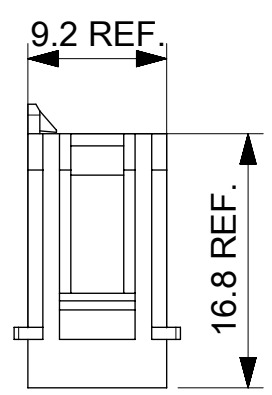


4 CIRCUIT CONNECTOR SHOWN

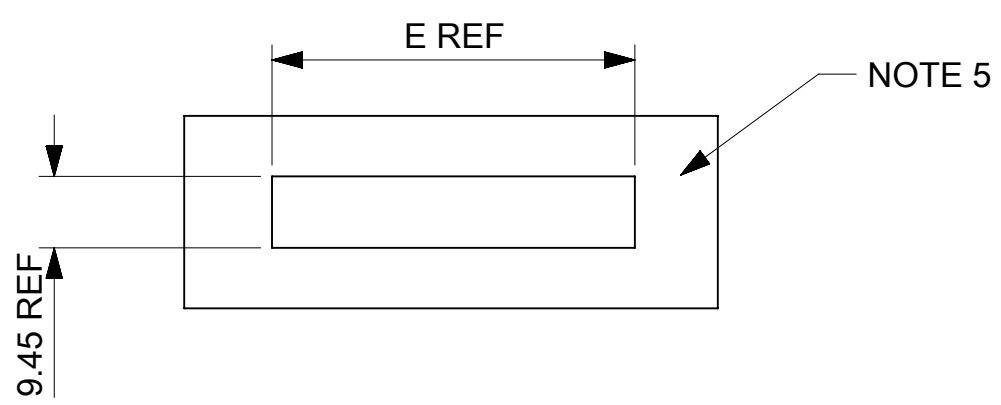
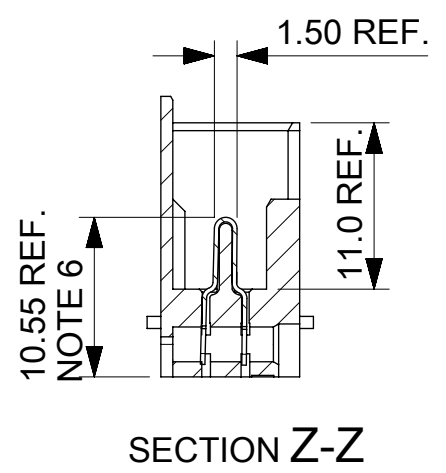
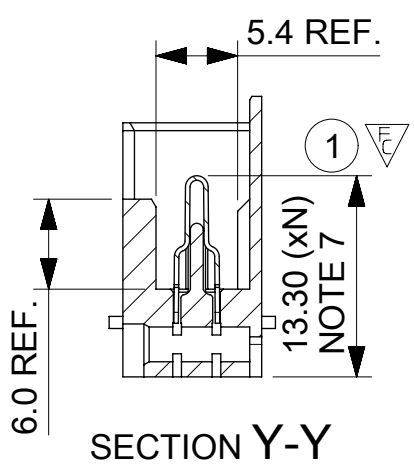


CKT	DIM A	DIM B	DIM C	DIM D	DIM E
2	10.1	5.0	17.3	19.9	17.5
3	15.1	10.0	22.3	24.9	22.5
4	20.1	15.0	27.3	29.9	27.5
5	25.1	20.0	32.3	34.9	32.5
6	30.1	25.0	37.3	39.9	37.5
7	35.1	30.0	42.3	44.9	42.5
8	40.1	35.0	47.3	49.9	47.5
9	45.1	40.0	52.3	54.9	52.5



- NOTES:
- MATERIALS:
HOUSING: POLYAMIDE 66 (PA66)
UL94-V0. COLOUR NATURAL
TERMINAL: COPPER ALLOY
PLATING: PRE-PLATED HOT TIN DIP.
 - PRODUCT CONFORMS TO SPECIFICATION PS-99020-0090.
 - MATES WITH RAST 2.5 APPLIMATE FEMALE CONNECTORS.
 - SEE PACKAGING SPECIFICATION PK-93422-001.
 - CONNECTOR IS DESIGNED FOR USE WITH PANEL 0.80mm TO 0.90mm THICKNESS
 - TERMINATED HEIGHT. CIRCUIT 1 SHOWN IN TERMINATED POSITION ONLY FOR PURPOSE OF DIMENSIONING TERMINATED HEIGHT POSITION.
 - TERMINAL PRE-TERMINATED HEIGHT. N=NUMBER OF CIRCUITS.
 - SEE APPLICATION SPECIFICATION AS-99033-010.
 - CONNECTOR DESIGNED TO RAST 2.5 STANDARD.

LAST INSPECTION NUMBER: 2



THIS DRAWING CONTAINS INFORMATION THAT IS PROPRIETARY TO MOLEX ELECTRONIC TECHNOLOGIES, LLC AND SHOULD NOT BE USED WITHOUT WRITTEN PERMISSION		CURRENT REV DESC: ADDED NEW P/N'S SHT2		molex	
DIMENSION UNITS	SCALE	EC NO: 614548			
mm	2:1	DRWN: AKABADI 2019/03/27		PRODUCT CUSTOMER DRAWING	
GENERAL TOLERANCES (UNLESS SPECIFIED)		CHK'D: BODEA 2019/03/27		DOCUMENT NUMBER	
ANGULAR TOL ± 0.5°		APPR: DRYAN 2019/04/07		934260001	
4 PLACES ±		INITIAL REVISION:		DOC TYPE DOC PART REVISION	
3 PLACES ±		DRWN: TJMURPHY 2016/03/21		PSD 000 F	
2 PLACES ± 0.05		APPR: BRUTTLE 2016/06/13		MATERIAL NUMBER	
1 PLACE ±		DRAWING		CUSTOMER	
0 PLACES ± 0.1		SERIES		SHEET NUMBER	
DRAFT WHERE APPLICABLE MUST REMAIN WITHIN DIMENSIONS		THIRD ANGLE PROJECTION		SEE CHARTS	
		A3-SIZE		GENERAL MARKET	
		93426		1 OF 2	

2 Circuit			
MOLEX PART NO.	MOLEX HSG PART NO.	BLOCKED POSITION KEYS	CONFIGURATION (SEE NOTES)
93426-0001	93431-0201	NONE	
93426-0010	93431-0202	a d	
93426-0011	93431-0203	c d	
93426-0012	93431-0204	a b	
93426-0013	93431-0205	b c	
93426-0014	93431-0206	a c	

3 Circuit			
MOLEX PART NO.	MOLEX HSG PART NO.	BLOCKED POSITION KEYS	CONFIGURATION (SEE NOTES)
93426-1001	93431-0301	NONE	
93426-1002	93431-0302	b e	
93426-1003	93431-0303	b c d	
93426-1004	93431-0304	b d	

4 Circuit				
MOLEX PART NO.	MOLEX HSG PART NO.	BLOCKED POSITION KEYS	CONFIGURATION (SEE NOTES)	TERMINAL VOID POSITION
93426-2001	93431-0401	NONE		NONE
93426-2002	93431-0401	NONE		CKT 2

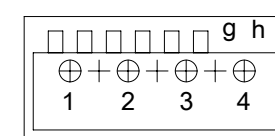
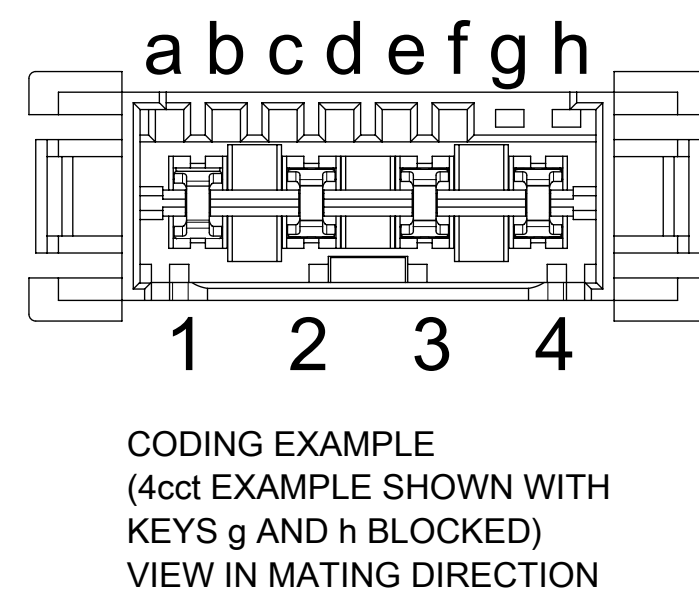
5 Circuit			
MOLEX PART NO.	MOLEX HSG PART NO.	BLOCKED POSITION KEYS	CONFIGURATION (SEE NOTES)
93426-3001	93431-0501	NONE	

6 Circuit			
MOLEX PART NO.	MOLEX HSG PART NO.	BLOCKED POSITION KEYS	CONFIGURATION (SEE NOTES)
93426-4001	93431-0601	NONE	

7 Circuit			
MOLEX PART NO.	MOLEX HSG PART NO.	BLOCKED POSITION KEYS	CONFIGURATION (SEE NOTES)
93426-5001	93431-0701	NONE	

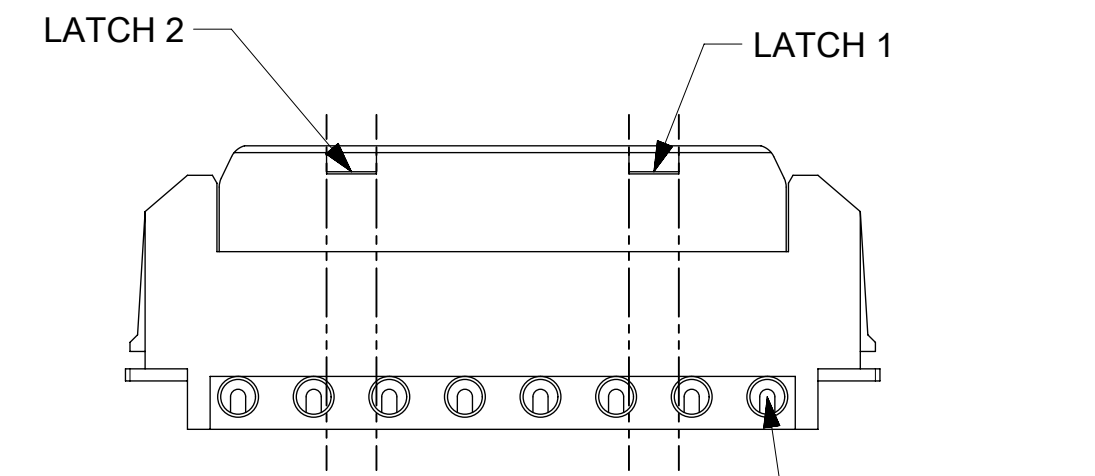
8 Circuit			
MOLEX PART NO.	MOLEX HSG PART NO.	BLOCKED POSITION KEYS	CONFIGURATION (SEE NOTES)
93426-6001	93431-0801	NONE	
93426-6002	93431-0802	b c d e f g h i j k l m n o	

9 Circuit			
MOLEX PART NO.	MOLEX HSG PART NO.	BLOCKED POSITION KEYS	CONFIGURATION (SEE NOTES)
93426-7001	93431-0901	NONE	



- NOTES:
- ⊕ DENOTES LOADED TERMINAL POSITION
+ DENOTES VOIDED TERMINAL POSITION
 - MOLEX HOUSING NUMBER FOR REFERENCE ONLY

EXAMPLE CIRCUIT SIZE 8 & ABOVE SHOWN BELOW



FOR CIRCUIT SIZE 8 & ABOVE
2 LATCHES ARE PRESENT.
SEE TABLE BELOW FOR
POSITION OF LATCHES

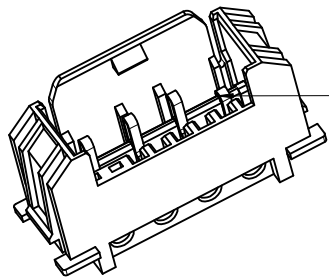
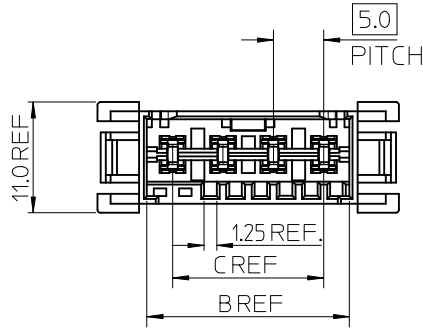
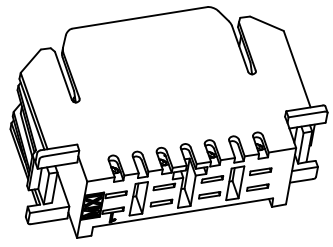
LATCH 2 POSITION BETWEEN CABLE CORES	LATCH 1 POSITION BETWEEN CABLE CORES	CIRCUIT SIZE
4 & 5	11 & 12	15
4 & 5	10 & 11	14
3 & 4	10 & 11	13
3 & 4	9 & 10	12
3 & 4	8 & 9	11
2 & 3	8 & 9	10
2 & 3	7 & 8	9
2 & 3	6 & 7	8

THIS DRAWING CONTAINS INFORMATION THAT IS PROPRIETARY TO MOLEX ELECTRONIC TECHNOLOGIES, LLC AND SHOULD NOT BE USED WITHOUT WRITTEN PERMISSION											
DIMENSION UNITS	SCALE	CURRENT REV DESC: ADDED NEW P/N'S SHT2									
mm	1:1										
GENERAL TOLERANCES (UNLESS SPECIFIED)		EC NO: 614548			WIRE TO WIRE HEADER ASSEMBLY PANEL MOUNT 5MM PITCH 0.5MM2 CABLE						
ANGULAR TOL ± 0.5°		DRWN: AKABADI 2019/03/27									
4 PLACES ±		CHK'D: BODEA 2019/03/27			PRODUCT CUSTOMER DRAWING						
3 PLACES ±		APPR: DRYAN 2019/04/07									
2 PLACES ± 0.05		INITIAL REVISION:			934260001						
1 PLACE ±		DRWN: TJMURPHY 2016/03/21									
0 PLACES ± 0.1		APPR: BRUTTLE 2016/06/13			PSD 000 F						
DRAFT WHERE APPLICABLE MUST REMAIN WITHIN DIMENSIONS		THIRD ANGLE PROJECTION									
		DRAWING		SERIES		MATERIAL NUMBER		CUSTOMER		SHEET NUMBER	
		A1-SIZE		93426		SEE CHARTS		GENERAL MARKET		2 OF 2	

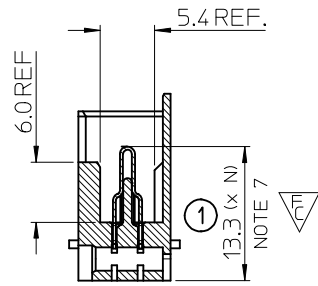
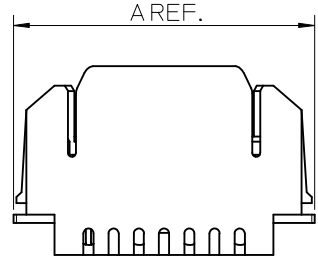
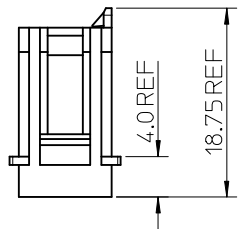
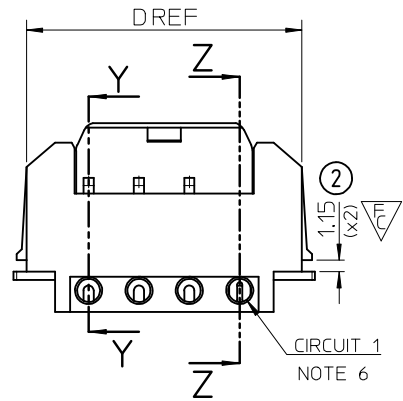
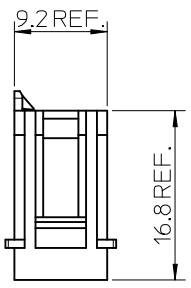
EM-93426-015

4 CIRCUIT CONNECTOR SHOWN

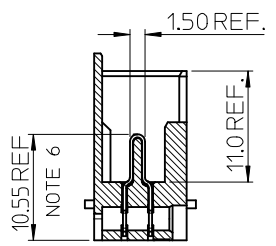
CKT	DIM A	DIM B	DIM C	DIM D	DIM E
2	19.9	10.1	5.0	17.3	17.5
3	24.9	15.1	10.0	22.3	22.5
4	29.9	20.1	15.0	27.3	27.5
5	34.9	25.1	20.0	32.3	32.5
6	39.9	30.1	25.0	37.3	37.5
7	44.9	35.1	30.0	42.3	42.5
8	49.9	40.1	35.0	47.3	47.5
9	54.9	45.0	40.0	52.3	52.5
10	59.9	40.1	45.0	57.3	57.5
11	64.9	45.1	50.0	62.3	62.5
12	69.9	50.1	55.0	67.3	67.5
13	74.9	55.1	60.0	72.3	72.5
14	79.9	60.1	65.0	75.3	75.5
15	84.9	65.1	70.0	82.3	82.5



CIRCUIT 1
NOTE 6



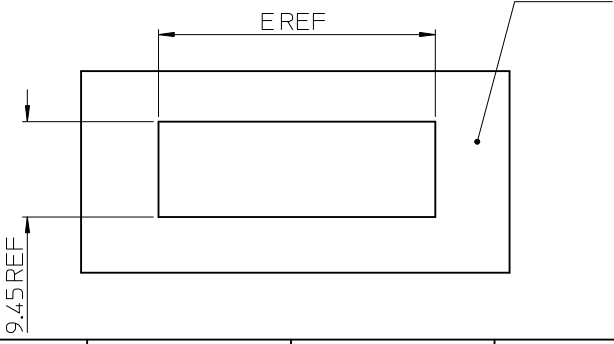
SECTION Y-Y



SECTION Z-Z

- NOTES:
1. MATERIALS:
HOUSING: POLYAMIDE 66 (PA66)
UL94-V0. COLOUR NATURAL
TERMINAL: COPPER ALLOY
PLATING: PRE-PLATED HOT TIN DIP 4-7µm.
 2. PRODUCT CONFORMS TO SPECIFICATION PS-99020-0090.
 3. MATES WITH RAST 2.5 APPLIMATE FEMALE CONNECTORS.
 4. SEE PACKAGING SPECIFICATION PK-93422-001.
 5. CONNECTOR IS DESIGNED FOR USE WITH PANEL 0.80mm TO 0.90mm THICKNESS
 6. TERMINATED HEIGHT. CIRCUIT 1 SHOWN IN TERMINATED POSITION ONLY FOR PURPOSE OF DIMENSIONING TERMINATED HEIGHT POSITION.
 7. TERMINAL PRE-TERMINATED HEIGHT. N=NUMBER OF CIRCUITS.
 8. SEE APPLICATION SPECIFICATION AS-99033-010.
 9. CONNECTOR DESIGNED TO RAST 2.5 STANDARD.

LAST INSPECTION NUMBER: 2



Original Release EC NO: IPG2015-0156 DRW: MSHANAHAN 2014/08/25 CHKD: CMONAHAN 2014/10/14 APPR: MSHANAHAN 2014/11/06	DESCRIPTION QUALITY SYMBOLS $\nabla E = 2$	GENERAL TOLERANCES (UNLESS SPECIFIED)		DIMENSION STYLE MM ONLY		SCALE 2:1	DESIGN UNITS METRIC	THIRD ANGLE PROJECTION	
			mm	INCH	DRAWN BY	DATE	TITLE		
		4 PLACES	± ---	± ---	MSHANAHAN	2013/02/04	VO PANEL MNT HDR ASSY 0.5MM SQUARE WIRE 5MM PITCH molex		
		3 PLACES	± ---	± ---	CHECKED BY	DATE			
2 PLACES	± 0.05	± ---	CMONAHAN	2014/10/14	DOCUMENT NO.				
1 PLACE	± 0.10	± ---	APPROVED BY	DATE	SHEET NO.				
0 PLACE	± ---	± ---	MSHANAHAN	2014/11/06	1 OF 3				
DRAFT WHERE APPLICABLE MUST REMAIN WITHIN DIMENSIONS		MATERIAL NO. SEE SHEETS 2+		THIS DRAWING CONTAINS INFORMATION THAT IS PROPRIETARY TO MOLEX INCORPORATED AND SHOULD NOT BE USED WITHOUT WRITTEN PERMISSION					

2-CIRCUIT

MOLEX PART NO.	MOLEX HSG PART NO.	BLOCKED POSITION KEYS	CONFIGURATION (SEE NOTES)
93726-0001	93731-0201	NONE	
93726-0010	93731-0202	a,d	
93726-0011	93731-0203	c,d	
93726-0012	93731-0204	a,b	

4-CIRCUIT

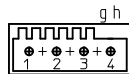
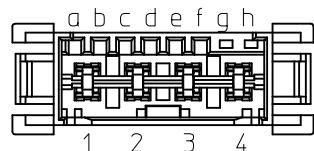
MOLEX PART NO.	MOLEX HSG PART NO.	BLOCKED POSITION KEYS	CONFIGURATION (SEE NOTES)
93726-0003	93731-0401	NONE	

5-CIRCUIT

MOLEX PART NO.	MOLEX HSG PART NO.	BLOCKED POSITION KEYS	CONFIGURATION (SEE NOTES)
93726-0004	93731-0501	NONE	

3-CIRCUIT

MOLEX PART NO.	MOLEX HSG PART NO.	BLOCKED POSITION KEYS	CONFIGURATION (SEE NOTES)
93726-0002	93731-0301	NONE	



CODING EXAMPLE
 (4cct EXAMPLE SHOWN WITH KEYS g AND h BLOCKED)
 VIEW IN MATING DIRECTION

NOTES:

- ⊕ DENOTES LOADED TERMINAL POSITION
 + DENOTES VOIDED TERMINAL POSITION
- MOLEX HOUSING NUMBER FOR REFERENCE ONLY

EC NO: IPG2015-0156 DRW:MSHANAHAN 2014/08/25 CHKD:CMONAHAN 2014/10/14 APPR:MSHANAHAN 2014/11/06 SEE SHEET 1	QUALITY SYMBOLS	GENERAL TOLERANCES (UNLESS SPECIFIED)	DIMENSION STYLE	SCALE	DESIGN UNITS	THIRD ANGLE PROJECTION
	▽=0 ◻=0	mm INCH 4 PLACES ± --- ± --- 3 PLACES ± --- ± --- 2 PLACES ± 0.05 ± --- 1 PLACE ± 0.10 ± --- 0 PLACE ± --- ± --- ANGULAR ± .5 °	MM ONLY DRAWN BY: MSHANAHAN DATE: 2013/02/04 CHECKED BY: DATE: APPROVED BY: DATE: 2014/10/14 MSHANAHAN 2014/11/06	2:1	METRIC	TITLE: VO PANEL MNT HDR ASSY 0.5MM SQUARE WIRE 5MM PITCH molex
A	REV	DRAFT WHERE APPLICABLE MUST REMAIN WITHIN DIMENSIONS	SEE CHARTS	MATERIAL NO.	DOCUMENT NO.	SHEET NO.
			SIZE A3	THIS DRAWING CONTAINS INFORMATION THAT IS PROPRIETARY TO MOLEX INCORPORATED AND SHOULD NOT BE USED WITHOUT WRITTEN PERMISSION		2 OF 3

6-CIRCUIT

MOLEX PART NO.	MOLEX HSG PART NO.	BLOCKED POSITION KEYS	CONFIGURATION (SEE NOTES)
93726-0005	93731-0601	NONE	

8-CIRCUIT

MOLEX PART NO.	MOLEX HSG PART NO.	BLOCKED POSITION KEYS	CONFIGURATION (SEE NOTES)
93726-0007	93731-0801	NONE	
93726-0009	93731-0802	b-o	

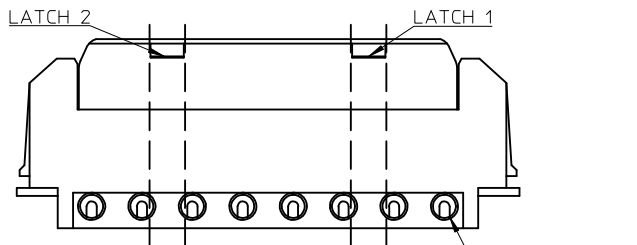
7-CIRCUIT

MOLEX PART NO.	MOLEX HSG PART NO.	BLOCKED POSITION KEYS	CONFIGURATION (SEE NOTES)
93726-0006	93731-0701	NONE	

9-CIRCUIT

MOLEX PART NO.	MOLEX HSG PART NO.	BLOCKED POSITION KEYS	CONFIGURATION (SEE NOTES)
93726-0008	93731-0901	NONE	

EXAMPLE CIRCUIT SIZE 8 SHOWN BELOW



FOR CIRCUIT SIZE 8 AND ABOVE
 2 LATCHES ARE PRESENT.
 SEE TABLE BELOW FOR
 POSITION OF LATCHES

NOTES:

- ⊕ DENOTES LOADED TERMINAL POSITION
 + DENOTES VOIDED TERMINAL POSITION
- MOLEX HOUSING NUMBER FOR REFERENCE ONLY

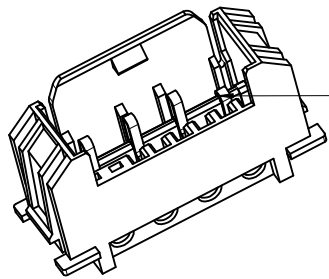
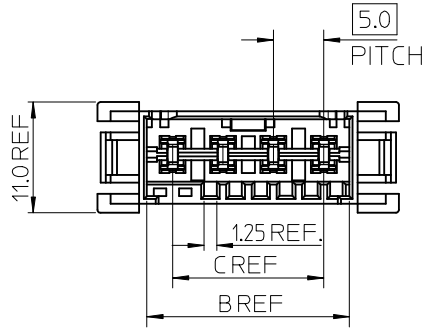
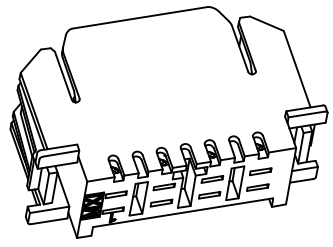
LATCH 2 POSITION BETWEEN CABLE CORES	LATCH 1 POSITION BETWEEN CABLE CORES	CIRCUIT SIZE
4 & 5	11 & 12	15
4 & 5	10 & 11	14
3 & 4	10 & 11	13
3 & 4	9 & 10	12
3 & 4	8 & 9	11
2 & 3	8 & 9	10
2 & 3	7 & 8	9
2 & 3	6 & 7	8

EC NO: IPG2015-0156 DRW:MSHANAHAN 2014/08/25 CHKD:CMONAHAN 2014/10/14 APPR:MSHANAHAN 2014/11/06 REV A	QUALITY SYMBOLS ▽=0 ◻=0	GENERAL TOLERANCES (UNLESS SPECIFIED) mm INCH 4 PLACES ± --- ± --- 3 PLACES ± --- ± --- 2 PLACES ± 0.05 ± --- 1 PLACE ± 0.10 ± --- 0 PLACE ± --- ± --- ANGULAR ± .5 ° DRAFT WHERE APPLICABLE MUST REMAIN WITHIN DIMENSIONS	DIMENSION STYLE MM ONLY DRAWN BY DATE MSHANAHAN 2013/02/04 CHECKED BY DATE CMONAHAN 2014/10/14 APPROVED BY DATE MSHANAHAN 2014/11/06 MATERIAL NO.	SCALE 2:1 DESIGN UNITS METRIC THIRD ANGLE PROJECTION	TITLE VO PANEL MNT HDR ASSY 0.5MM SQUARE WIRE 5MM PITCH molex DOCUMENT NO. SD-93726-001 SHEET NO. 3 OF 3
	SEE CHARTS THIS DRAWING CONTAINS INFORMATION THAT IS PROPRIETARY TO MOLEX INCORPORATED AND SHOULD NOT BE USED WITHOUT WRITTEN PERMISSION				

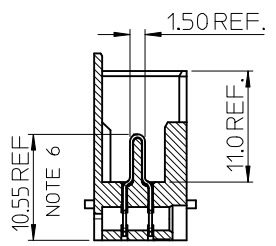
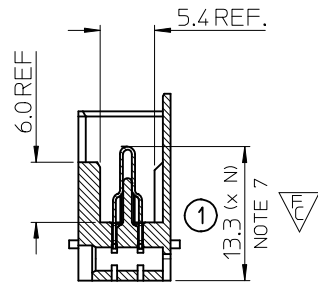
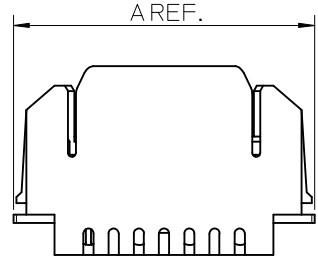
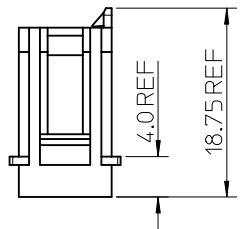
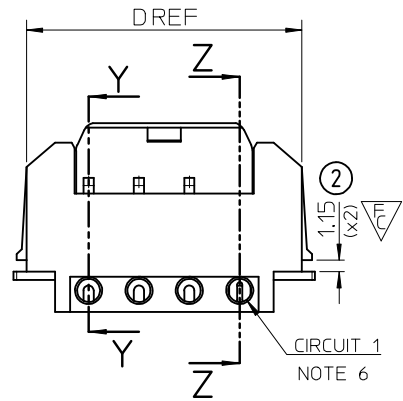
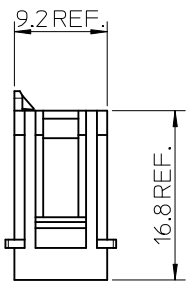
EM-93426-015

4 CIRCUIT CONNECTOR SHOWN

CKT	DIM A	DIM B	DIM C	DIM D	DIM E
2	19.9	10.1	5.0	17.3	17.5
3	24.9	15.1	10.0	22.3	22.5
4	29.9	20.1	15.0	27.3	27.5
5	34.9	25.1	20.0	32.3	32.5
6	39.9	30.1	25.0	37.3	37.5
7	44.9	35.1	30.0	42.3	42.5
8	49.9	40.1	35.0	47.3	47.5
9	54.9	45.0	40.0	52.3	52.5
10	59.9	40.1	45.0	57.3	57.5
11	64.9	45.1	50.0	62.3	62.5
12	69.9	50.1	55.0	67.3	67.5
13	74.9	55.1	60.0	72.3	72.5
14	79.9	60.1	65.0	75.3	75.5
15	84.9	65.1	70.0	82.3	82.5



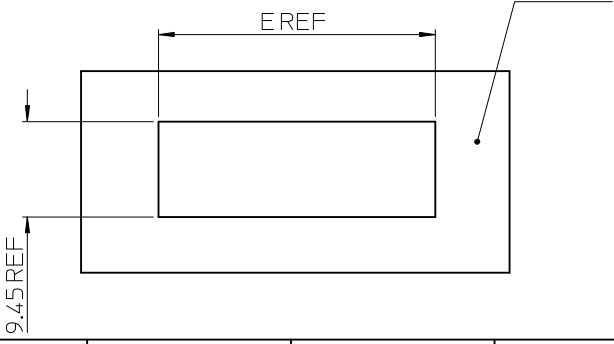
CIRCUIT 1
NOTE 6



SECTION Y-Y

SECTION Z-Z

- NOTES:
1. MATERIALS:
HOUSING: POLYAMIDE 66 (PA66)
UL94-V0. COLOUR NATURAL
TERMINAL: COPPER ALLOY
PLATING: PRE-PLATED HOT TIN DIP 4-7µm.
 2. PRODUCT CONFORMS TO SPECIFICATION PS-99020-0090.
 3. MATES WITH RAST 2.5 APPLIMATE FEMALE CONNECTORS.
 4. SEE PACKAGING SPECIFICATION PK-93422-001.
 5. CONNECTOR IS DESIGNED FOR USE WITH PANEL 0.80mm TO 0.90mm THICKNESS
 6. TERMINATED HEIGHT. CIRCUIT 1 SHOWN IN TERMINATED POSITION ONLY FOR PURPOSE OF DIMENSIONING TERMINATED HEIGHT POSITION.
 7. TERMINAL PRE-TERMINATED HEIGHT. N=NUMBER OF CIRCUITS.
 8. SEE APPLICATION SPECIFICATION AS-99033-010.
 9. CONNECTOR DESIGNED TO RAST 2.5 STANDARD.
- LAST INSPECTION NUMBER: 2



<p>Original Release</p> <p>EC NO: IPG2015-0156</p> <p>DRW:MSHANAHAN 2014/08/25</p> <p>CHKD:CMONAHAN 2014/10/14</p> <p>APPR:MSHANAHAN 2014/11/06</p>	<p>QUALITY SYMBOLS</p> <p>EQ=2</p>	<p>GENERAL TOLERANCES (UNLESS SPECIFIED)</p>		<p>DIMENSION STYLE</p> <p>MM ONLY</p>		<p>SCALE</p> <p>2:1</p>	<p>DESIGN UNITS</p> <p>METRIC</p>	<p>THIRD ANGLE PROJECTION</p>	
		<p>4 PLACES ± --- ± ---</p>	<p>3 PLACES ± --- ± ---</p>	<p>DRAWN BY</p> <p>MSHANAHAN</p>	<p>DATE</p> <p>2013/02/04</p>	<p>TITLE</p> <p>VO PANEL MNT HDR ASSY</p> <p>0.5MM SQUARE WIRE</p> <p>5MM PITCH</p>			
		<p>2 PLACES ± 0.05 ± ---</p>	<p>1 PLACE ± 0.10 ± ---</p>	<p>CHECKED BY</p> <p>CMONAHAN</p>	<p>DATE</p> <p>2014/10/14</p>	<p>molex</p>			
		<p>0 PLACE ± --- ± ---</p>	<p>ANGULAR ± .5 °</p>	<p>APPROVED BY</p> <p>MSHANAHAN</p>	<p>DATE</p> <p>2014/11/06</p>	<p>MATERIAL NO.</p> <p>SEE SHEETS 2+</p>	<p>DOCUMENT NO.</p> <p>SD-93726-001</p>	<p>SHEET NO.</p> <p>1 OF 3</p>	
<p>DRAFT WHERE APPLICABLE MUST REMAIN WITHIN DIMENSIONS</p>		<p>SIZE</p> <p>A3</p>		<p>THIS DRAWING CONTAINS INFORMATION THAT IS PROPRIETARY TO MOLEX INCORPORATED AND SHOULD NOT BE USED WITHOUT WRITTEN PERMISSION</p>					

2-CIRCUIT

MOLEX PART NO.	MOLEX HSG PART NO.	BLOCKED POSITION KEYS	CONFIGURATION (SEE NOTES)
93726-0001	93731-0201	NONE	
93726-0010	93731-0202	a,d	
93726-0011	93731-0203	c,d	
93726-0012	93731-0204	a,b	

4-CIRCUIT

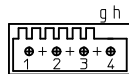
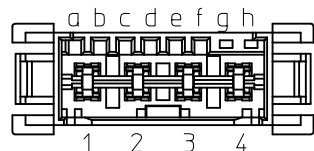
MOLEX PART NO.	MOLEX HSG PART NO.	BLOCKED POSITION KEYS	CONFIGURATION (SEE NOTES)
93726-0003	93731-0401	NONE	

5-CIRCUIT

MOLEX PART NO.	MOLEX HSG PART NO.	BLOCKED POSITION KEYS	CONFIGURATION (SEE NOTES)
93726-0004	93731-0501	NONE	

3-CIRCUIT

MOLEX PART NO.	MOLEX HSG PART NO.	BLOCKED POSITION KEYS	CONFIGURATION (SEE NOTES)
93726-0002	93731-0301	NONE	



CODING EXAMPLE
 (4cct EXAMPLE SHOWN WITH KEYS g AND h BLOCKED)
 VIEW IN MATING DIRECTION

NOTES:

- ⊕ DENOTES LOADED TERMINAL POSITION
 + DENOTES VOIDED TERMINAL POSITION
- MOLEX HOUSING NUMBER FOR REFERENCE ONLY

EC NO: IPG2015-0156 DRW:MSHANAHAN 2014/08/25 CHKD:CMONAHAN 2014/10/14 APPR:MSHANAHAN 2014/11/06 SEE SHEET 1	QUALITY SYMBOLS	GENERAL TOLERANCES (UNLESS SPECIFIED)	DIMENSION STYLE	SCALE	DESIGN UNITS	THIRD ANGLE PROJECTION
	▽=0 ◻=0	mm INCH 4 PLACES ± --- ± --- 3 PLACES ± --- ± --- 2 PLACES ± 0.05 ± --- 1 PLACE ± 0.10 ± --- 0 PLACE ± --- ± --- ANGULAR ± .5 °	MM ONLY DRAWN BY DATE MSHANAHAN 2013/02/04 CHECKED BY DATE CMONAHAN 2014/10/14 APPROVED BY DATE MSHANAHAN 2014/11/06	2:1	METRIC	
A	REV	DRAFT WHERE APPLICABLE MUST REMAIN WITHIN DIMENSIONS	SEE CHARTS	TITLE VO PANEL MNT HDR ASSY 0.5MM SQUARE WIRE 5MM PITCH molex		SHEET NO. 2 OF 3
			SIZE A3	THIS DRAWING CONTAINS INFORMATION THAT IS PROPRIETARY TO MOLEX INCORPORATED AND SHOULD NOT BE USED WITHOUT WRITTEN PERMISSION		

6-CIRCUIT

MOLEX PART NO.	MOLEX HSG PART NO.	BLOCKED POSITION KEYS	CONFIGURATION (SEE NOTES)
93726-0005	93731-0601	NONE	

8-CIRCUIT

MOLEX PART NO.	MOLEX HSG PART NO.	BLOCKED POSITION KEYS	CONFIGURATION (SEE NOTES)
93726-0007	93731-0801	NONE	
93726-0009	93731-0802	b-o	

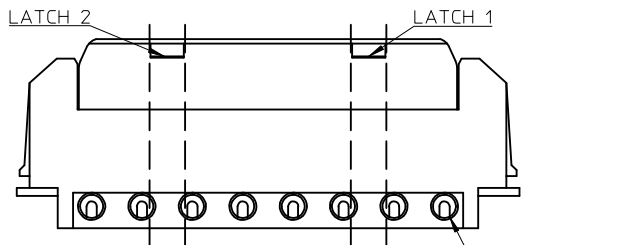
7-CIRCUIT

MOLEX PART NO.	MOLEX HSG PART NO.	BLOCKED POSITION KEYS	CONFIGURATION (SEE NOTES)
93726-0006	93731-0701	NONE	

9-CIRCUIT

MOLEX PART NO.	MOLEX HSG PART NO.	BLOCKED POSITION KEYS	CONFIGURATION (SEE NOTES)
93726-0008	93731-0901	NONE	

EXAMPLE CIRCUIT SIZE 8 SHOWN BELOW



FOR CIRCUIT SIZE 8 AND ABOVE
 2 LATCHES ARE PRESENT.
 SEE TABLE BELOW FOR
 POSITION OF LATCHES

NOTES:

- ⊕ DENOTES LOADED TERMINAL POSITION
 + DENOTES VOIDED TERMINAL POSITION
- MOLEX HOUSING NUMBER FOR REFERENCE ONLY

LATCH 2 POSITION BETWEEN CABLE CORES	LATCH 1 POSITION BETWEEN CABLE CORES	CIRCUIT SIZE
4 & 5	11 & 12	15
4 & 5	10 & 11	14
3 & 4	10 & 11	13
3 & 4	9 & 10	12
3 & 4	8 & 9	11
2 & 3	8 & 9	10
2 & 3	7 & 8	9
2 & 3	6 & 7	8

EC NO: IPG2015-0156 DRW:MSHANAHAN 2014/08/25 CHKD:CMONAHAN 2014/10/14 APPR:MSHANAHAN 2014/11/06 REV A	QUALITY SYMBOLS ▽=0 ◻=0	GENERAL TOLERANCES (UNLESS SPECIFIED) mm INCH 4 PLACES ± --- ± --- 3 PLACES ± --- ± --- 2 PLACES ± 0.05 ± --- 1 PLACE ± 0.10 ± --- 0 PLACE ± --- ± --- ANGULAR ± .5 ° DRAFT WHERE APPLICABLE MUST REMAIN WITHIN DIMENSIONS	DIMENSION STYLE MM ONLY DRAWN BY: MSHANAHAN DATE: 2013/02/04 CHECKED BY: CMONAHAN DATE: 2014/10/14 APPROVED BY: MSHANAHAN DATE: 2014/11/06 MATERIAL NO.	SCALE 2:1	DESIGN UNITS METRIC	THIRD ANGLE PROJECTION	TITLE VO PANEL MNT HDR ASSY 0.5MM SQUARE WIRE 5MM PITCH molex DOCUMENT NO. SD-93726-001	SHEET NO. 3 OF 3	
	SEE CHARTS		THIS DRAWING CONTAINS INFORMATION THAT IS PROPRIETARY TO MOLEX INCORPORATED AND SHOULD NOT BE USED WITHOUT WRITTEN PERMISSION						
	SIZE A3								