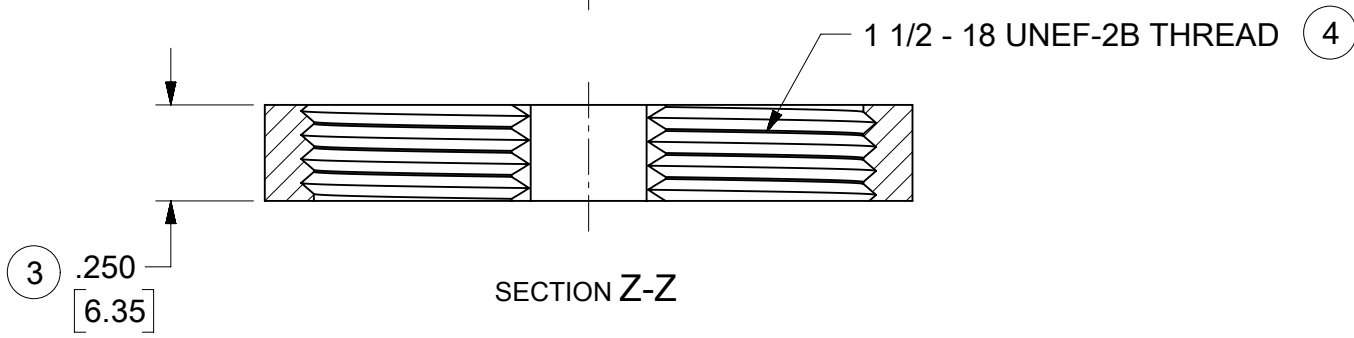


SCALE 1:1



- NOTE(S):
- MATERIAL: POLYESTER (PBT)  
COLOR: BLACK  
UL FLAMMABILITY RATING: UL94 V-0
  - USE WITH MOLEX XRC RECEPTACLE CONNECTORS  
SERIES 84502 AND 84508.
  - RECOMMENDED TORQUE: 45-55 IN-LB [5.1-6.2 N-M]
  - MATERIAL IS ROHS COMPLIANT.

LAST INSPECTION NO.: 4

THIS DRAWING CONTAINS INFORMATION THAT IS PROPRIETARY TO MOLEX ELECTRONIC TECHNOLOGIES, LLC AND SHOULD NOT BE USED WITHOUT WRITTEN PERMISSION											
<b>QUALITY SYMBOLS</b> = 0 = 0 = 0 = 0 = 0 = 0 = 0 = 0 = 0	<b>CAD MIGRATION</b> EC NO: 120775 DRWN: CRAODOREMS CHK'D: SMCGREEVY APPR: JDWALLACE	GENERAL TOLERANCES (UNLESS SPECIFIED)		DIMENSION UNITS <b>IN[MM]</b>	SCALE <b>2:1</b>						
		MM    INCH	DRWN BY <b>B.RUPERT</b>	DATE <b>02/22/2007</b>	PANEL HEX NUT, SOCKET RECEPTACLE, 18 SHELL						
		4 PLACES ±    ±	CHK'D BY <b>JPAWLICKI</b>	DATE <b>02/22/2007</b>					PRODUCT CUSTOMER DRAWING		
		3 PLACES ±    ± 0.015	APPR BY <b>RDEROSS</b>	DATE <b>02/22/2007</b>	SERIES <b>84502</b>	MATERIAL NUMBER <b>845020004</b>	CUSTOMER <b>GENERAL MARKET</b>				
		2 PLACES ± 0.38    ± 0.03	ANGULAR TOL ± 2.0	DRAWING SIZE <b>B</b>	THIRD ANGLE PROJECTION 	DOCUMENT NUMBER <b>SD-84502-008</b>	DOC TYPE <b>PSD</b>	DOC PART <b>001</b>	SHEET NUMBER <b>1 OF 1</b>		
		1 PLACES ± 0.76    ±	DRAFT WHERE APPLICABLE MUST REMAIN WITHIN DIMENSIONS								
		0 PLACES ±    ±									
		B1									
		RELEASE STATUS    P1    RELEASE DATE    24.08.2017    10:27:19									