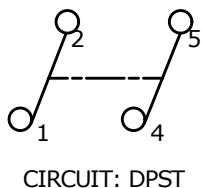


RECOMMENDED PANEL MOUNTING

PANEL THICKNESS	X
1-2	31 +.1/-0
2-2.5	31.6 +.1/-0

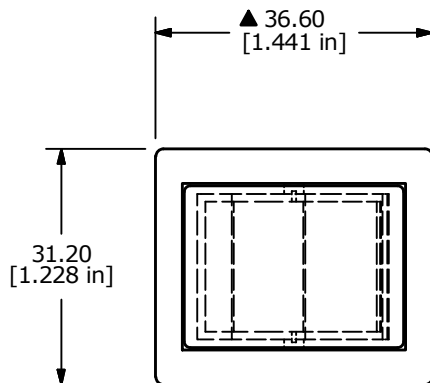


SWITCH FUNCTION	
POS. 1	POS. 2
OFF	ON
OPEN	2-1, 5-4

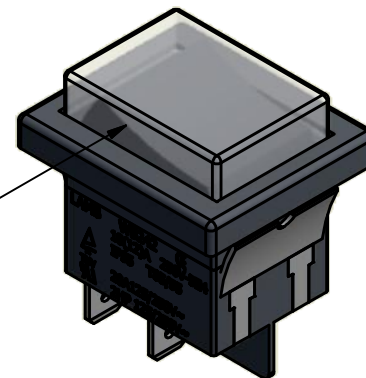
(ON)=MOMENTARY

NOTE:

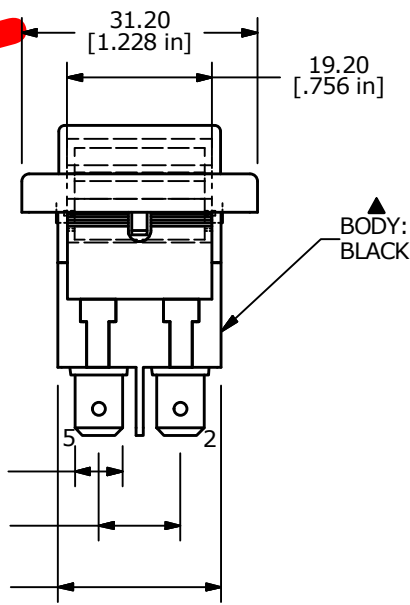
1. DIMENSIONS IN mm [INCH]
2. GENERAL TOLERANCE: X.X = ± 0.4
X.XX = ± 0.25
3. TERMINAL NUMBERS FOR REF ONLY
4. CONTACT MATERIAL: SILVER PLATED COPPER
5. CONTACT RATINGS: 20A @ 125VAC [cURus]
20A @ 250VAC [cURus]
1.5HP 125/250VAC
6. CONTACT RESISTANCE: 50mΩ MAX. INITIAL
7. INSULATION RESISTANCE: 500MΩ MIN. @ 500VDC
8. DIELECTRIC STRENGTH: 1,500VAC FOR 1 MINUTE
9. IP RATING: IP55
10. OPERATING TEMPERATURE: -20°C TO 65°C [cURus]
-20°C TO 65°C [TUV]
11. RUBBER SEAL: MVQ
11. ▲ DENOTES CRITICAL PARAMETER
12. 2002/95/EC (ROHS) COMPLIANT



▲ ACTUATOR:
BLACK



OBSOLETE
 September 2018
 PCR 23570



▲ BODY:
BLACK



TITLE WB242D1100-ACC-KF05

A	20663	New Release	7/3/12	rc
REV	PCR NO	DESCRIPTION	DATE	BY

THE INFORMATION CONTAINED IN THIS DOCUMENT IS PROPRIETARY TO E-SWITCH AND IS NOT TO BE COPIED OR TRANSFERRED

SCALE	DATE	DR	DWG	REV
NONE	7/3/2012	rc	34-WB2S00227	A