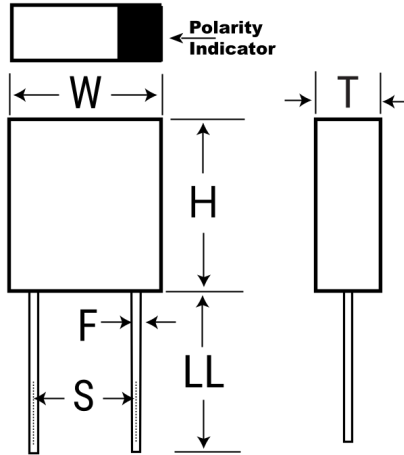


## T370F107M010AS7301

Aliases (T370F107M010ASTR)

T370, Tantalum, MnO<sub>2</sub> Tantalum, Commercial Grade, 100 uF, 20%, 10 VDC, Lead Spacing = 7.62mm



Click [here](#) for the 3D model.

### Dimensions

W	9.53mm MAX
H	12.07mm MAX
T	3.81mm MAX
S	7.62mm +/-0.64mm
LL	19.1mm MIN
F	0.41mm MAX

### Packaging Specifications

Packaging	T&R, 305mm
-----------	------------

### General Information

Series	T370
Dielectric	MnO <sub>2</sub> Tantalum
Style	Radial Molded
Description	Radial, Solid Tantalum, Micro Miniature
Features	Micro Miniature
RoHS	No
Prop 65	<b>⚠ WARNING:</b> Cancer and reproductive harm - <a href="http://www.p65warnings.ca.gov">http://www.p65warnings.ca.gov</a> .
Termination	Lead (SnPb)
AEC-Q200	No
Construction	Molded

### Specifications

Capacitance	100 uF
Capacitance Tolerance	20%
Voltage DC	10 VDC (85C), 7 VDC (125C), 0.1 VDC (125C Reverse)
Temperature Range	-55/+125°C
Dissipation Factor	8%
Leakage Current	9 uA