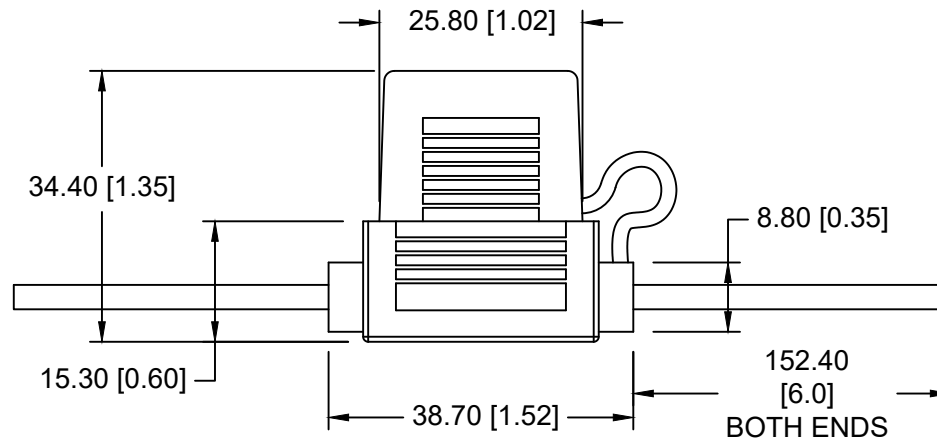



Date	SYM	REVISION RECORD	AUTH	DR.	CK.
04/12/19	A	UPDATED TO "ROHS COMPLIANT"	T.B.	B.S.	
11/26/19	B	ADDED WIRE LENGTH WAS RATED 30AMP.	T.B.	B.S.	



### WATER RESISTANT TYPE

#### NOTES:

- MATERIAL:**  
HOUSING : PVC ,UL94V-0, FLEX 60GPVC, UL FILE NO. E174939
  - WIRE:** 6" LONG RED WIRE, 16 AWG, UL 1015, 600V, 105°C, FLAME RATED VW-1, UL FILE NO. E250011 OR ENGINEERING APPROVED EQUIVALENT
  - RATED CURRENT:** 15A
  - ACCEPTS ATP/ATC/ATO FUSES**
  - INSULATION RESISTANCE AT 500V DC:** 100MΩ MIN
  - CONTACT RESISTANCE:** 5mΩ AT 1A DC
  - DIELECTRIC STRENGTH FOR 60 SECONDS:** AC 1000V MIN
- ROHS COMPLIANT

Tolerance (Except as noted)	 <b>Memory Protection Devices, Inc</b> 200 Broad Hollow Road, Farmingdale, New York 11735		
	decimal ±.5 (.020)	Scale	Drawn By B.S. Approved By T.B.
Fractional ± .8 (.030)	Title INLINE FUSE HOLDER		
Angular ± 3°	Date 11/26/19	Drawing Number BF353	